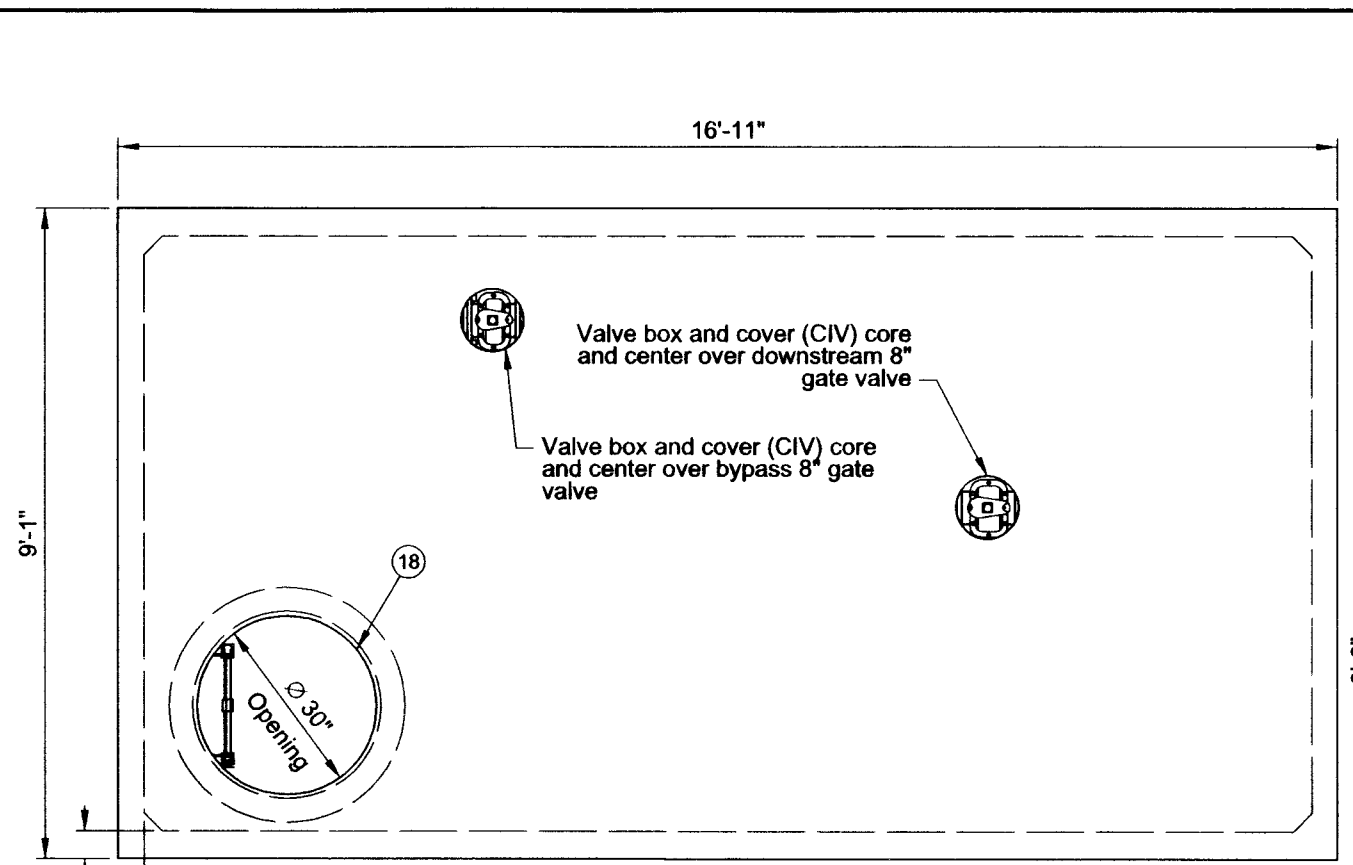
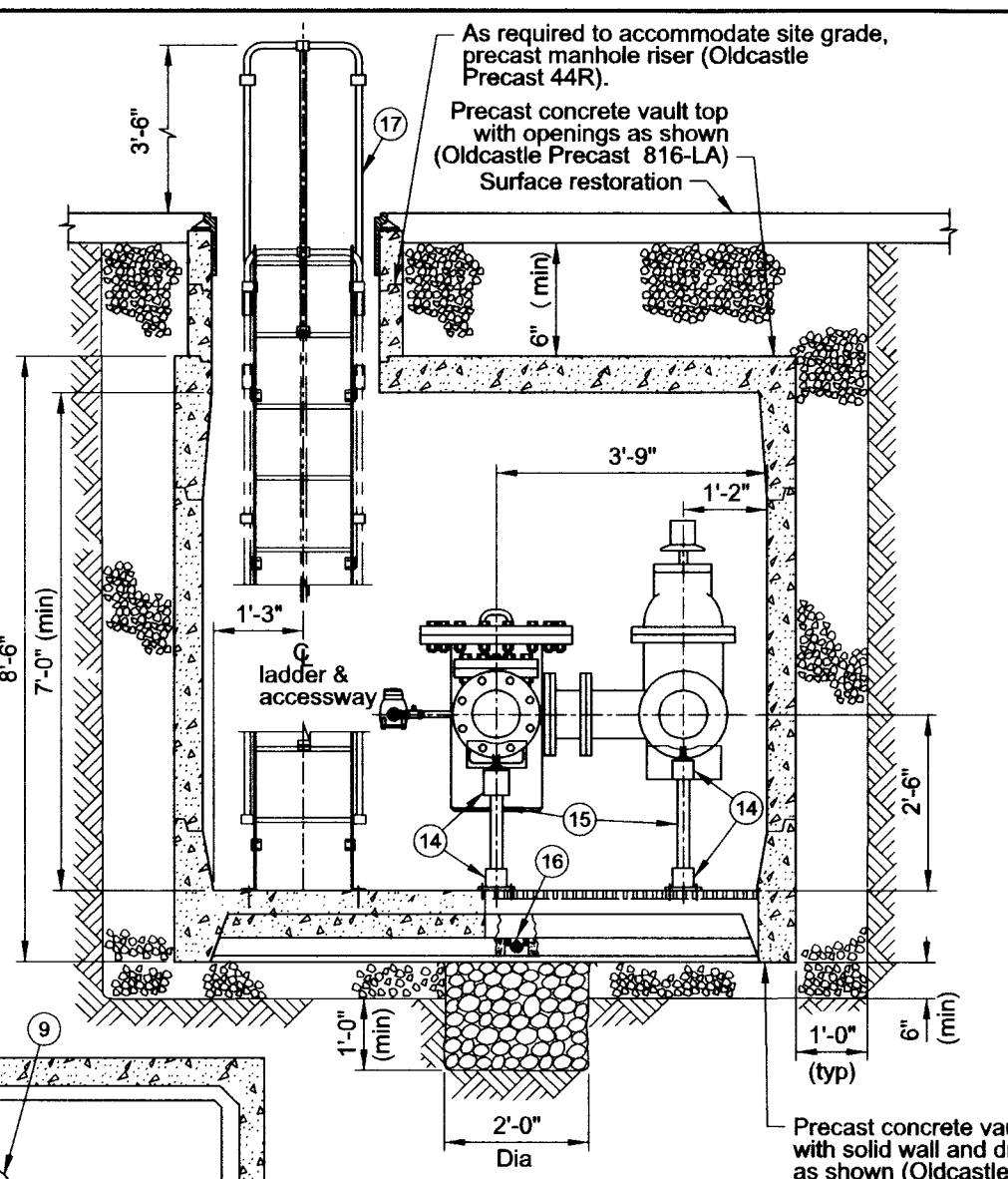


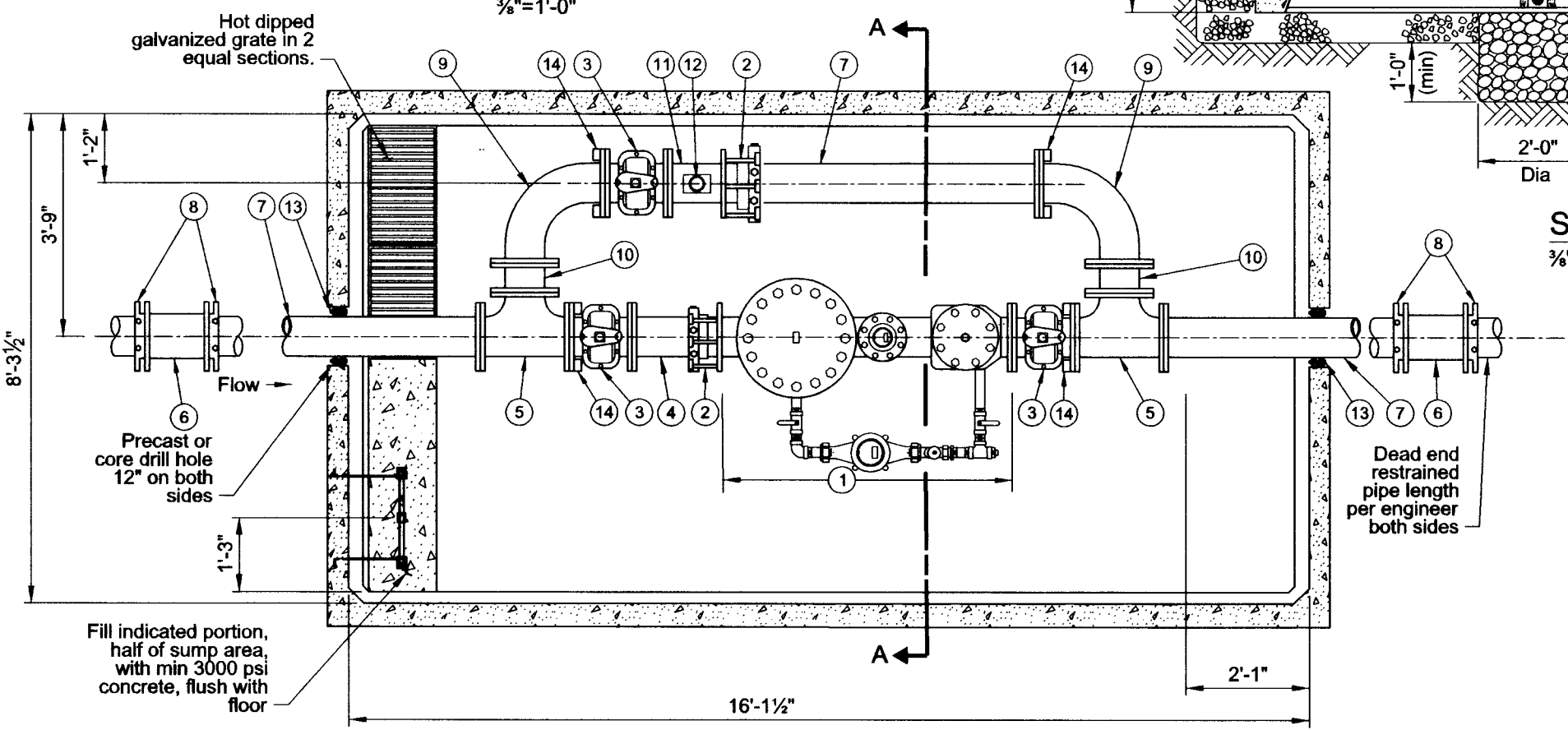
Plot Date: 7/31/2015 2:16:07 PM Filename: J:\Engineering\CAD\Standards\Working_Vaults\B77_Blm.Binby_8167_str.dgn



Vault Top Plan
3/8"=1'-0"



Section A-A
3/8"=1'-0"



Vault Floor Plan
3/8"=1'-0"

List of Parts				
Item No	Size	Qty	Description	
1	8"	1	Meter, combination with test outlet	
2	8"	2	Restrained dismantling assembly (Megaflange)	
3	8"	3	Gate Valve, FLG x FLG OL	
4	8"	1	Nipple, DI FLG X PE 8"-9" long (field fit)	
5	8"x8"x8"	2	Tee, FLG x FLG	
6	8"	2	Solid sleeve, DI MJ	
7	8"	3	Nipple, DI FLG X PE 48" long (field fit)	
8	8"	4	Gland, wedge action retainer (Megalug)	
9	8"	2	Bend, DI FLG long radius 90 degrees	
10	8"	2	Spool, DI FLG x FLG 6" long	
11	8"x8"x2"	1	Drip tee, FLG x FLG x FIPT	
12	2"	1	Gate valve, brass with plug	
13	8"	2	Seal, mechanical penetration (Link Seal LS-400-C-9)	
14	8"	4	Adjustable pipe support, hot dipped galvanized	
15	2"	3	Pipe, galvanized steel (field fit)	
16	4"	1	Drain check valve	
17		1	Ladder, galvanized steel with aluminum extension (field fit) (Oldcastle Precast)	
18	30"	1	Manhole frame and cover, 30" true opening	

Notes:
See General Vault Drawing (P-855) for construction and material notes.

The selection and use of this Standard Drawing, while designed in accordance with generally accepted engineering principles and practices, is the sole responsibility of the user.


PORTLAND WATER BUREAU
 CITY OF PORTLAND, OREGON

 Chief Engineer

Standard Drawing Title		Standard Drawing No. P-877
8" Combination Meter with 8" Bypass in 8-16-7 Vault (In Street)		
Effective Date	Aug 17 2015	
Calc. Book No.	PWB 1	Standard Drawing No. P-877
Baseline Report Date	Aug 17 2015	

Note:
All material and workmanship shall be in accordance with City of Portland Standard Construction Specifications.