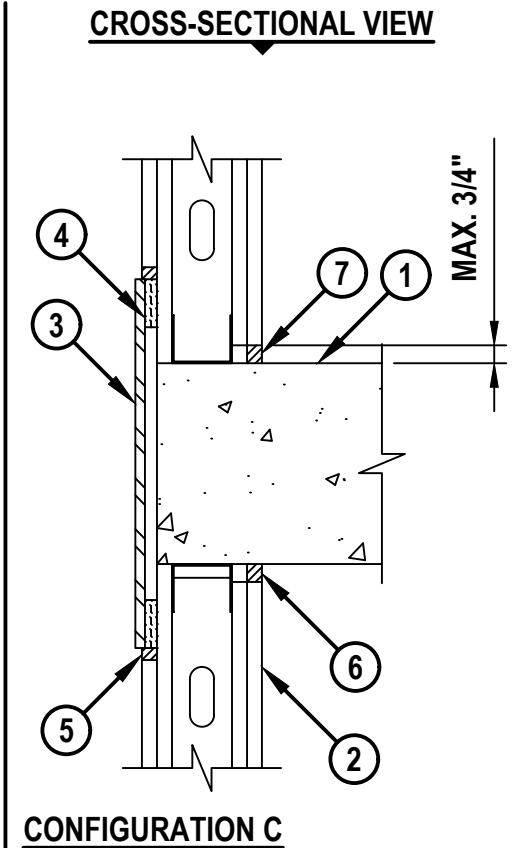
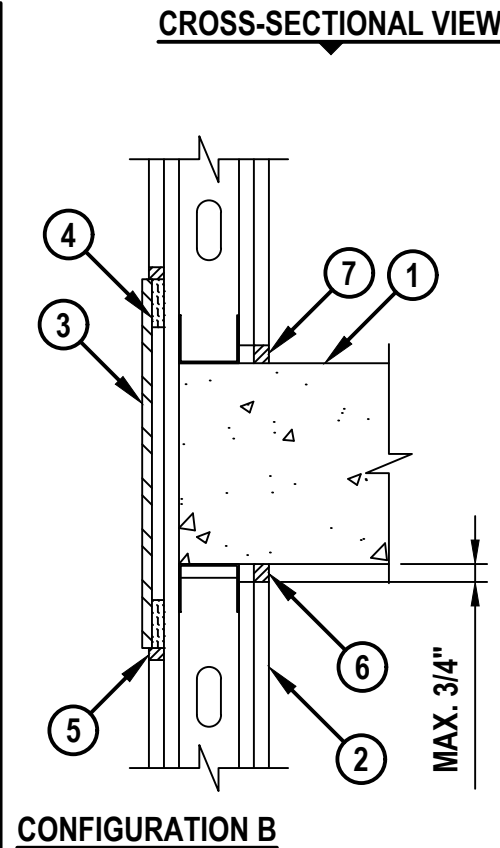
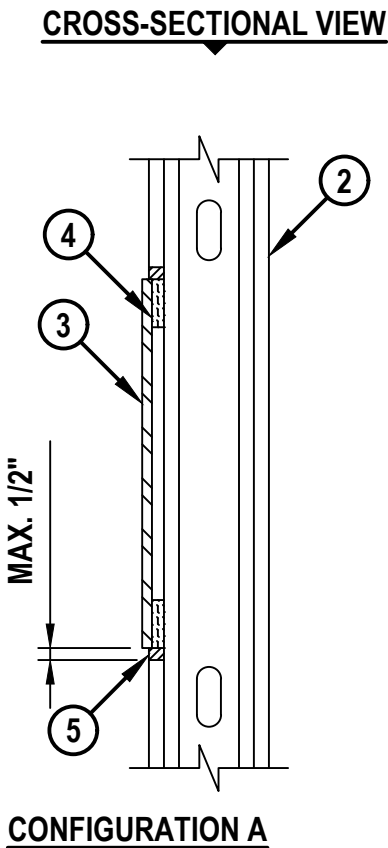


DS

ENGINEERING JUDGMENT FIRESTOP DETAIL

PROJECT : 5MLK
 CONTRACTOR : HOFFMAN CONSTRUCTION COMPANY
 F-RATING = 2-HR. (SEE NOTE NO. 3 BELOW)



1. CONCRETE FLOOR ASSEMBLY (MINIMUM 4-1/2" THICK) (2-HR. FIRE-RATING).
2. GYPSUM WALL ASSEMBLY (UL/cUL CLASSIFIED) (2-HR. FIRE-RATING).
3. STEEL STAIR STRINGER (NON FIRE-RATED).
4. MINIMUM 2" THICKNESS MINERAL WOOL (MIN. 4 PCF DENSITY) TIGHTLY PACKED AS BACKER.
5. MINIMUM 1/2" DEPTH HILTI CP 606 FLEXIBLE FIRESTOP SEALANT.
6. MINIMUM 5/8" DEPTH HILTI CP 606 FLEXIBLE FIRESTOP SEALANT OR HILTI CFS-S SIL GG FIRESTOP SILICONE SEALANT.
7. MINIMUM 5/8" DEPTH HILTI CP 606 FLEXIBLE FIRESTOP SEALANT, HILTI FS-ONE MAX INTUMESCENT FIRESTOP SEALANT, HILTI CFS-S SIL GG FIRESTOP SILICONE SEALANT, OR HILTI CP 605 BOTTOM OF WALL FIRESTOP SEALANT.

NOTES : 1. MAXIMUM WIDTH OF JOINT = 3/4".
 2. T-RATING MAY NOT EQUAL F-RATING IN ACCORDANCE WITH UL 2079.
 3. FIRE-RATING OF ASSEMBLY IS DEPENDENT UPON THE PERFORMANCE OF STEEL STAIR STRINGER UNDER FIRE CONDITIONS.

THIS ENGINEERING JUDGMENT REPRESENTS A FIRESTOP SYSTEM THAT WOULD BE EXPECTED TO PASS THE STATED RATINGS IF TESTED.
 (REFERENCE : UL/cUL SYSTEM NO. BW-S-0002 & HW-D-0209)



HILTI, Inc.
 Plano, Texas USA (800) 879-8000
 Designed by *Nathan Jennings*

Sheet	1 of 1
Scale	1/8" = 1"
Date	Apr. 13, 2020

Drawing No.
365498d