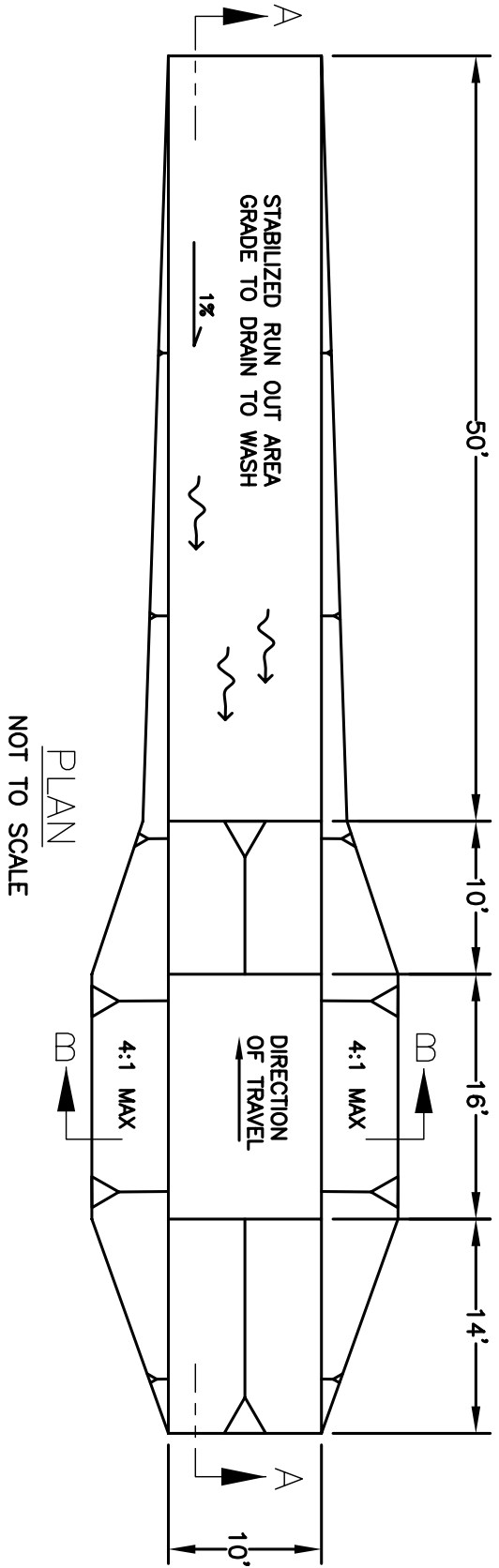


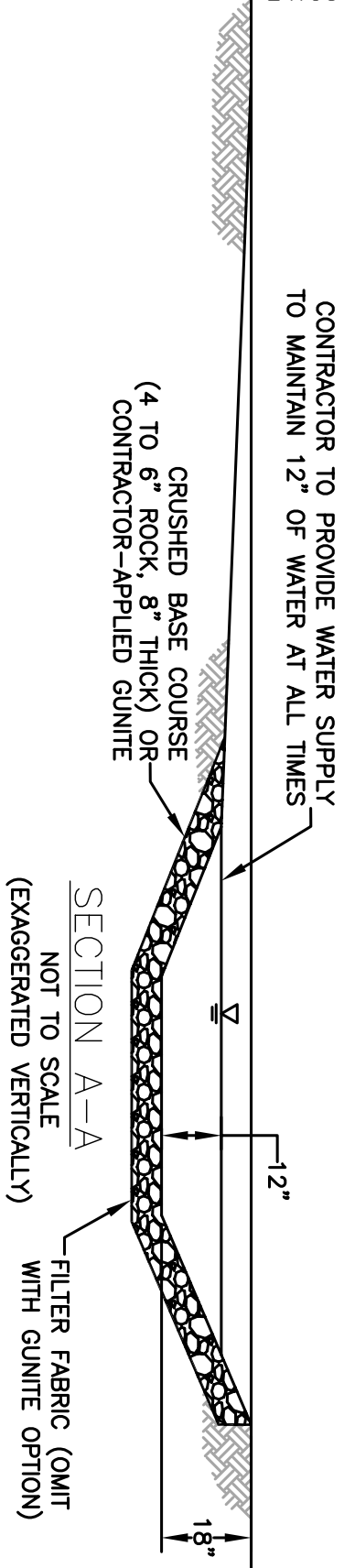
EROSION CONTROL MANUAL

WHEEL WASH STRUCTURE  
Detail Drawing 4-2-B

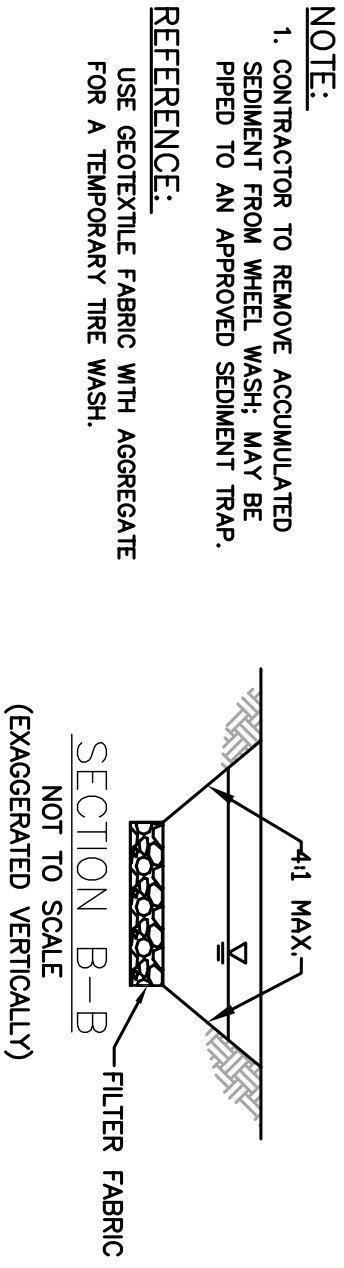
DRAWING NOT TO SCALE



PLAN  
NOT TO SCALE



SECTION A-A  
NOT TO SCALE  
(EXAGGERATED VERTICALLY)



SECTION B-B  
NOT TO SCALE  
(EXAGGERATED VERTICALLY)

**NOTE:**  
1. CONTRACTOR TO REMOVE ACCUMULATED SEDIMENT FROM WHEEL WASH; MAY BE PIPED TO AN APPROVED SEDIMENT TRAP.

**REFERENCE:**  
USE GEOTEXTILE FABRIC WITH AGGREGATE FOR A TEMPORARY TIRE WASH.