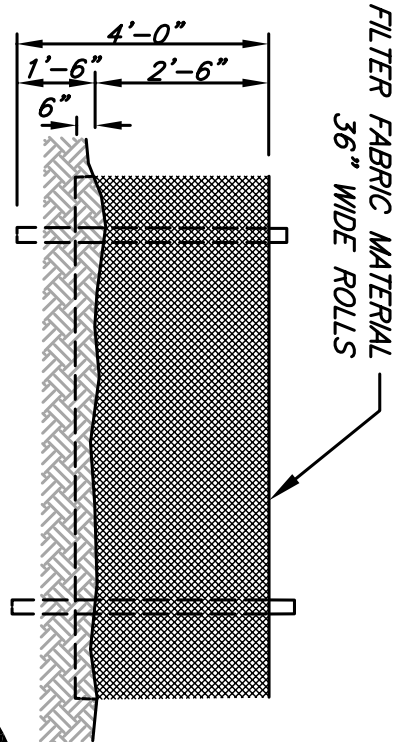


EROSION CONTROL MANUAL

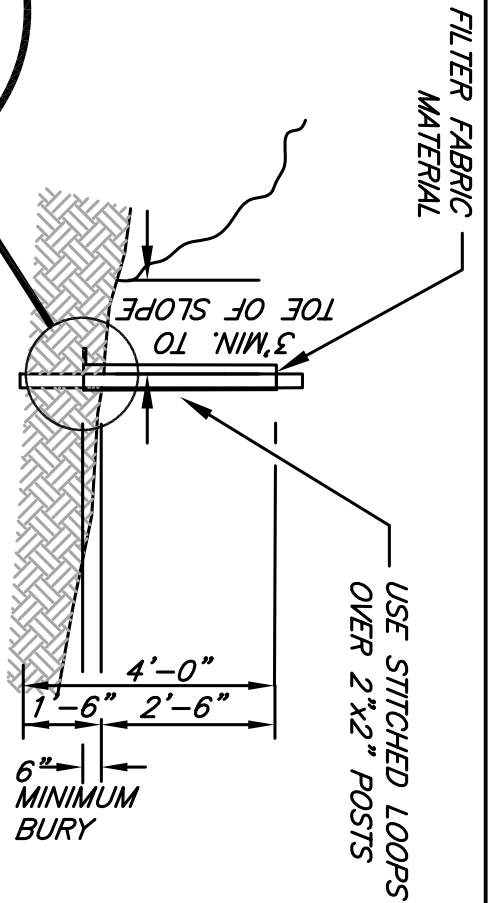
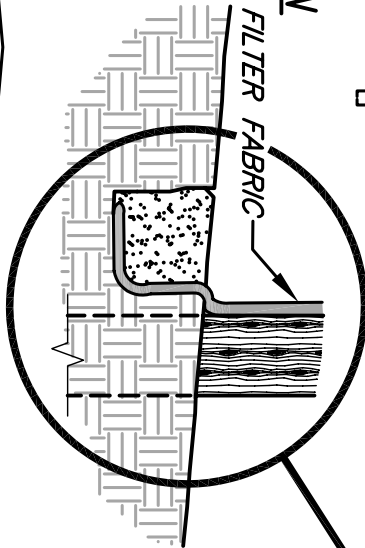
TEMPORARY SEDIMENT FENCE

Detail Drawing 4.3-A

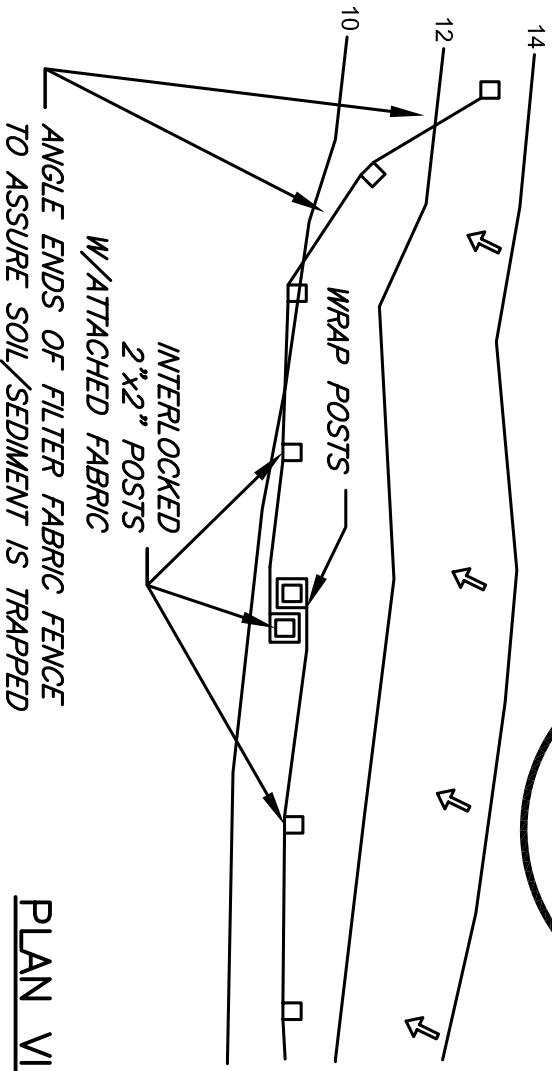
DRAWING NOT TO SCALE



SIDE VIEW



SIDE VIEW



PLAN VIEW