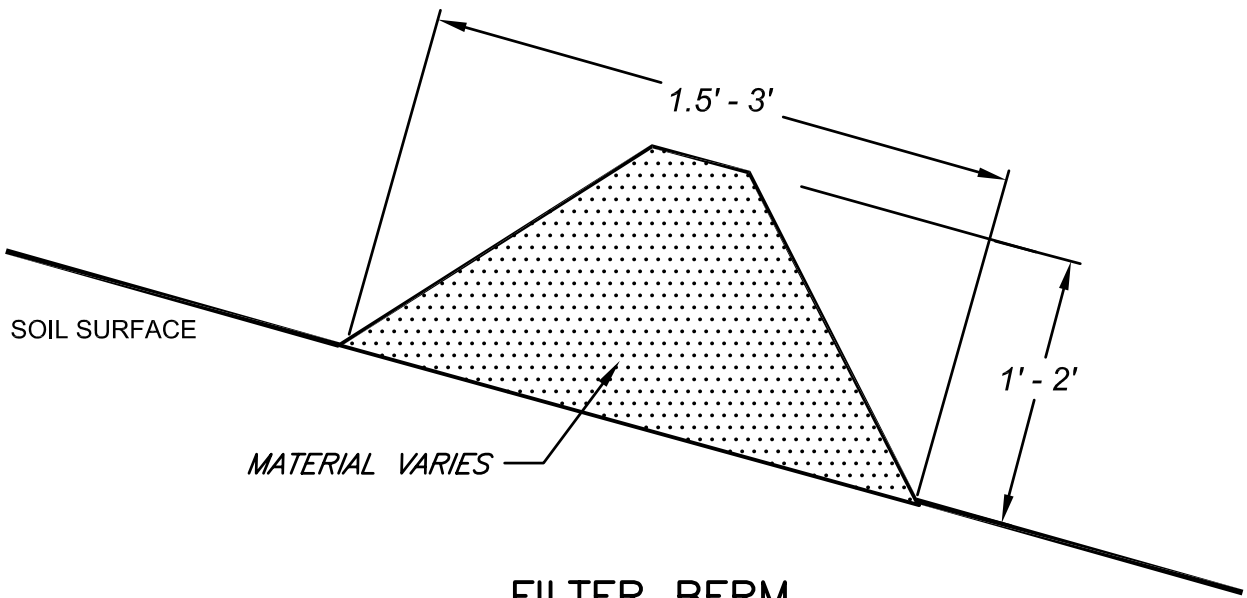
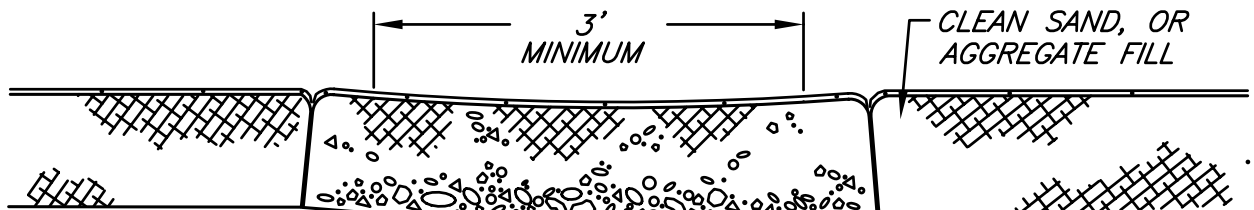


CROSS SECTION



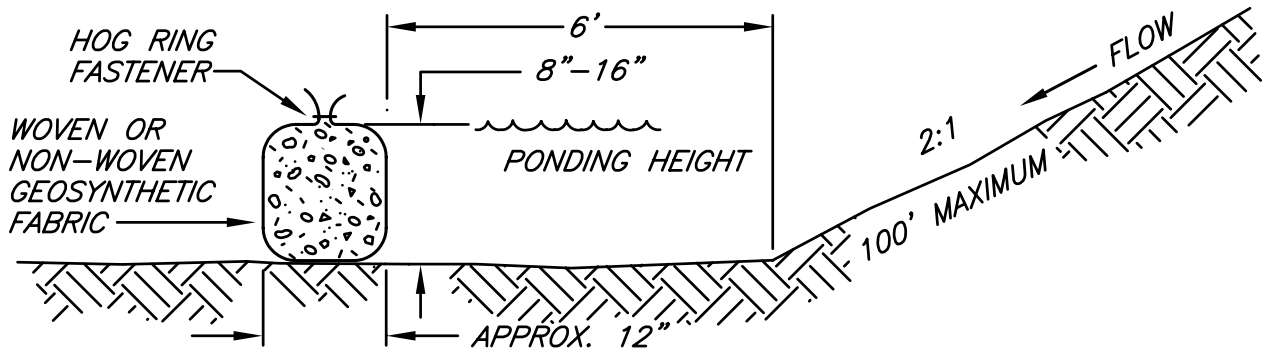
FILTER BERM

FRONT VIEW



LOCATE DRAINAGE CHAMBER AT LOW SPOT FOR ADEQUATE DRAINAGE OF PONDED STORM WATER

SIDE VIEW



Filter Berm - loose exhibit and ecoberm terminology - TCEQ in Texas

CONTINUOUS BERM

DRAWING NOT TO SCALE

EROSION CONTROL MANUAL

FILTRATION BERM

Detail Drawing 4.3-H