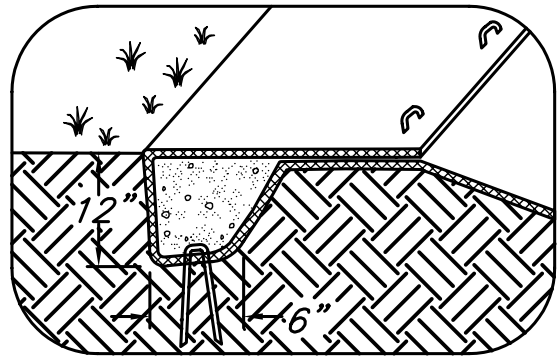
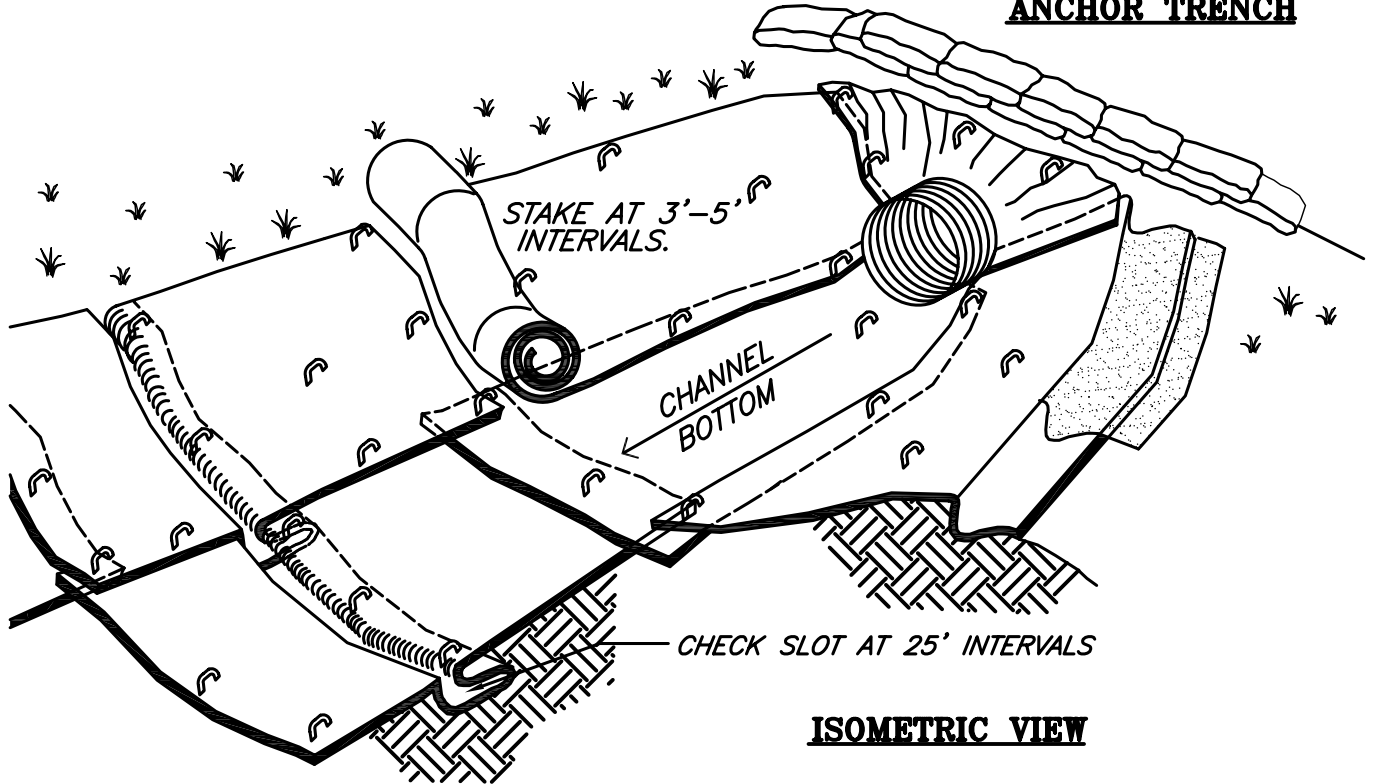


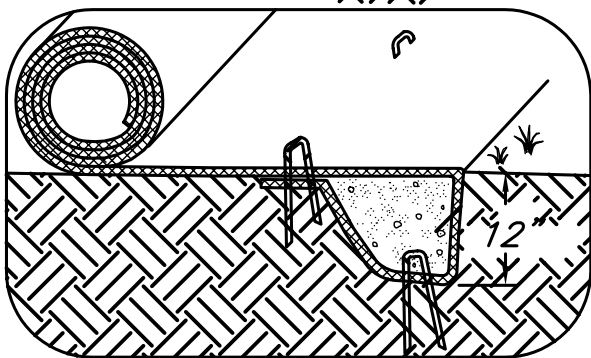
LONGITUDINAL ANCHOR TRENCH



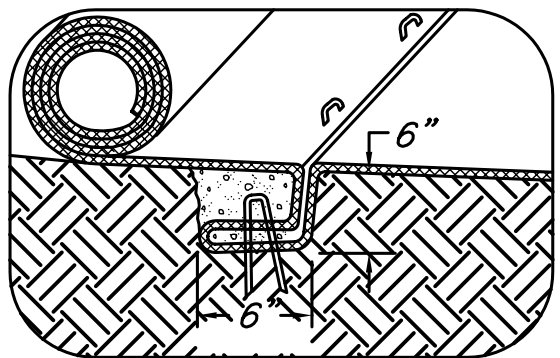
TERMINAL SLOPE AND CHANNEL ANCHOR TRENCH



ISOMETRIC VIEW



INITIAL CHANNEL ANCHOR TRENCH



INTERMITTENT CHECK SLOT

NOTES:

1. CHECK SLOTS TO BE CONSTRUCTED PER MANUFACTURERS SPECIFICATIONS.

2. STAKING OR STAPLING LAYOUT PER MANUFACTURERS SPECIFICATIONS.

DRAWING NOT TO SCALE

EROSION CONTROL MANUAL

EROSION BLANKETS
CHANNEL INSTALLATION

Detail Drawing 4.5-D