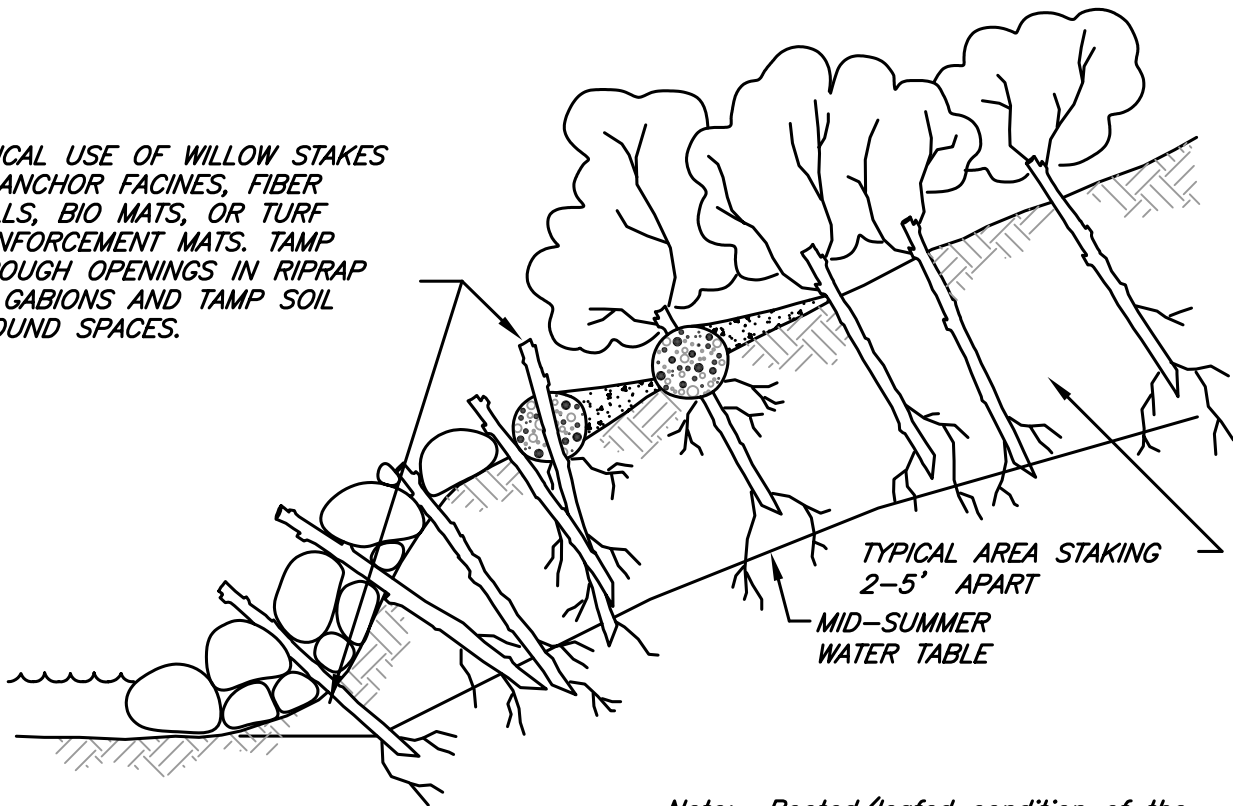
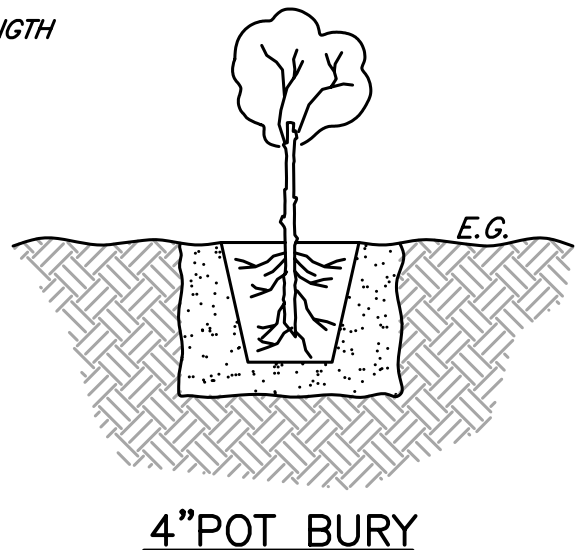
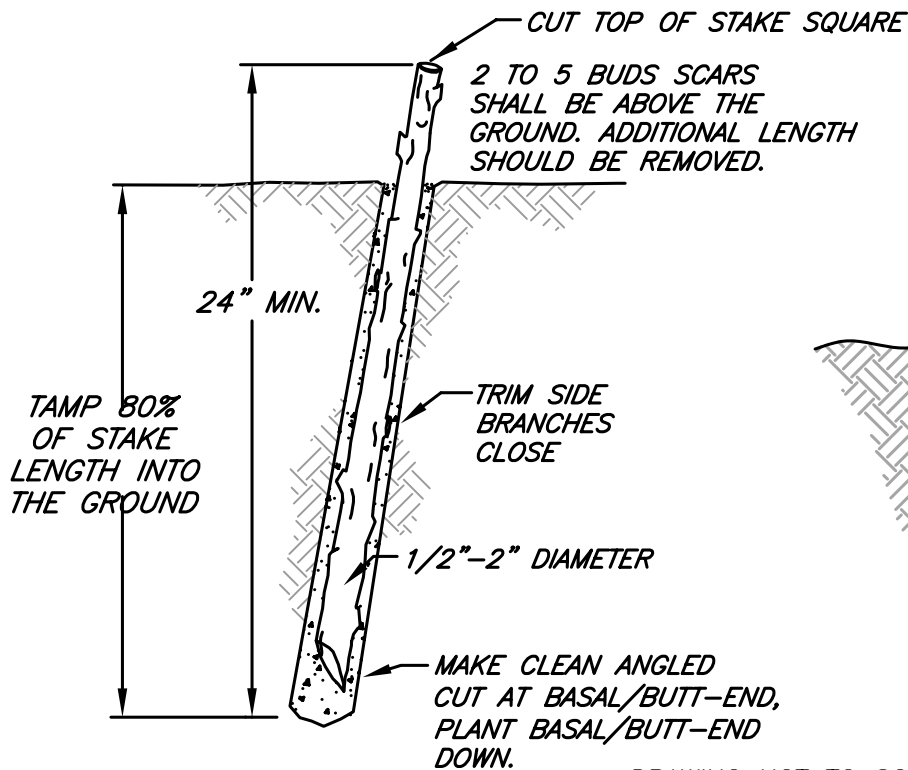


TYPICAL USE OF WILLOW STAKES TO ANCHOR FACINES, FIBER ROLLS, BIO MATS, OR TURF REINFORCEMENT MATS. TAMP THROUGH OPENINGS IN RIPRAP OR GABIONS AND TAMP SOIL AROUND SPACES.



Note: Rooted/leafed condition of the living plant material is not representative at the time of installation.



DRAWING NOT TO SCALE

EROSION CONTROL MANUAL

LIVE STAKES

Detail Drawing 4.5-H