



City of Portland, Oregon
Bureau of Development Services
Land Use Services

FROM CONCEPT TO CONSTRUCTION

Amanda Fritz, Commissioner
Paul L. Scarlett, Director
Phone: (503) 823-7300
Fax: (503) 823-5630
TTY: (503) 823-6868
www.portlandoregon.gov/bds

Date: April 21, 2014
To: Interested Person
From: Dave Skilton, Land Use Services 503-823-0660
dave.skilton@portlandoregon.gov

NOTICE OF A TYPE I DECISION ON A PROPOSAL IN YOUR NEIGHBORHOOD

The Bureau of Development Services has a approved proposal in your neighborhood. The reasons for the decision are included in the version located on the BDS website <http://www.portlandonline.com/bds/index.cfm?c=46429>. Click on the District Coalition then scroll to the relevant Neighborhood, and case number. If you disagree with the decision, you can appeal. Information on how to do so is included at the end of this decision.

CASE FILE NUMBER: LU 13-215311 HR – WINDOW AND DOOR REPLACEMENTS

GENERAL INFORMATION

Applicant: Don Rouzie / Rouzie Design
4520 NE 15th Avenue / Portland, OR 97211

Owner: Christopher Mooers
2520 NE Siskiyou Street / Portland, OR 97212-2565

Site Address: 2520 NE Siskiyou Street

Legal Description: BLOCK 4 LOT 1, EDGEMONT **Tax Account No.:** R237500890
State ID No.: 1N1E25BB 19200 **Quarter Section:** 2733
Neighborhood: Alameda, contact Jim Brown at 503-284-6455. Irvington, contact Dean Gisvold at 503-284-3885.

Business District: North-Northeast Business Assoc, Joice Taylor at 503-789-7074.
District Coalition: NE Coalition of Neighborhoods, Claire Adamsick at 503-388-9030.
Other Designations: Contributing resource in the Irvington Historic District which was listed in the National Register of Historic Places on October 22, 2010.

Zoning: R5, Single-Dwelling Residential 5000 with Historic Resource overlay.
Case Type: HR, Historic Resource Review
Procedure: Type I, an administrative decision with appeal to the Oregon Land Use Board of Appeals (LUBA).

Proposal:

The applicant is seeking Historic Resource Review approval for a proposal to:

- replace vinyl sashes in three windows which were installed without benefit of review, using new wooden sashes that visually match the historic windows that were removed; and
- replace a steel door and vinyl sidelights which were installed without benefit of review, with a new wooden door/sidelight assembly that visually matches the historic unit that was removed.

Historic Resource Review is required because the proposal is for non-exempt exterior alterations in a historic district.

Approval Criteria:

In order to be approved, this proposal must comply with the approval criteria specified in the Portland Zoning Code (Title 33 of the Portland City Code). The approval criteria are:

- 33.846.060 G Other Approval Criteria

ANALYSIS

Site and Vicinity: The subject property, a story-and-a-half Period Revival Style house, built in about 1925. The National Register of Historic Places documentation for the Irvington Historic District evaluates it as a contributing resource within the historic context.

Platted in the late Nineteenth Century, today's Irvington Historic District represents the first additions to Portland that employed restrictive covenants from the outset. These included the exclusion of most non-residential uses from the interior of the neighborhood, and where non-residential uses were allowed, such as the fire station and the telephone exchange, the buildings were purposely disguised to appear more residential in character. Other deed restrictions excluded minority groups, established uniform front setbacks, and required minimum expenditure on new buildings. The area developed generally from southwest to northeast and its growth was greatly influenced by the installation of streetcar lines that introduced an easy commuting option to downtown.

The contributing resources in Irvington range in design character from expressions of the late Victorian Era styles, especially Queen Anne, through the many Period Revival modes of the early decades of the Twentieth Century, to a few early modernist examples. There is also a wide diversity in the sizes of lots and houses. In terms of the streetscape, the numbered north-south avenues in Irvington vary dramatically in width, and they mostly form rather long block faces which the houses generally face. The named east-west street block faces are more consistent in length, almost all being traditional 200' Portland blocks. All are lined with mature street trees. Original development in many cases included garages or other accessory structures, typically facing side streets on corner lots and accessed by a variety of driveway types on mid-block sites. Garages that were added within the historic period, were sometimes built at the sidewalk and/or out of architectural character with the house.

Zoning: The single-dwelling zones, including R5, are intended to preserve land for housing and to provide housing opportunities for individual households. The zones implement the comprehensive plan policies and designations for single-dwelling housing.

The Historic Resource Overlay zone protects certain historic resources in the region and preserves significant parts of the region's heritage. The regulations implement Portland's Comprehensive Plan policies that address historic preservation. These policies recognize the role historic resources have in promoting the education and enjoyment of those living in and visiting the region. The regulations foster pride among the region's citizens in their city and its heritage. Historic preservation beautifies the city, promotes the city's economic health, and helps to preserve and enhance the value of historic properties.

Land Use History: City records indicate there are no prior land use reviews for this site.

Public Notice: A "Notice of Proposal in Your Neighborhood" was mailed April 2, 2014.

Neighborhood Review: One written response was received from either the Neighborhood Association or notified property owners in response to the proposal.

- Dean Gisvold, on behalf of the Irvington Community Association Land Use Committee, wrote on April 16, 2014 with no objections to the proposal.

ZONING CODE APPROVAL CRITERIA**Chapter 33.846.060 - Historic Resource Review**

Purpose of Historic Resource Review

Historic Resource Review ensures the conservation and enhancement of the special characteristics of historic resources.

Historic Resource Review Approval Criteria

Requests for Historic Resource Review will be approved if the review body finds the applicant has shown that all of the approval criteria have been met.

Findings: The site is within the Irvington Historic District and the proposal is for non-exempt treatment. Therefore Historic Resource Review approval is required. The approval criteria are those listed in 33.846.060 G – *Other Approval Criteria*.

Staff has considered all guidelines and addressed only those applicable to this proposal.

33.846.060 G - Other Approval Criteria

1. Historic character. The historic character of the property will be retained and preserved. Removal of historic materials or alteration of features and spaces that contribute to the property's historic significance will be avoided.

8. Architectural compatibility. New additions, exterior alterations, or related new construction will be compatible with the resource's massing, size, scale, and architectural features. When retrofitting buildings or sites to improve accessibility for persons with disabilities, design solutions will not compromise the architectural integrity of the historic resource.

10. Hierarchy of compatibility. Exterior alterations and additions will be designed to be compatible primarily with the original resource, secondarily with adjacent properties, and finally, if located within a Historic or Conservation District, with the rest of the district. Where practical, compatibility will be pursued on all three levels.

Findings for 1, 8, and 10: The proposal is to reinstate wood window sashes and a wood front door and sidelight assembly that were changed without benefit of Historic Resource Review. Although they are not original material the proposed replacements will reinstate the condition of the house prior to the unapproved alteration. Because they closely approximate the historic condition, the replacements are intrinsically compatible with the house and the context of the historic district. *These criteria are met.*

DEVELOPMENT STANDARDS

Unless specifically required in the approval criteria listed above, this proposal does not have to meet the development standards in order to be approved during this review process. The plans submitted for a building or zoning permit must demonstrate that all development standards of Title 33 can be met, or have received an Adjustment or Modification via a land use review prior to the approval of a building or zoning permit.

CONCLUSIONS

The purpose of the Historic Resource Review process is to ensure that additions, new construction, and exterior alterations to historic resources do not compromise their ability to convey historic significance. This proposal meets the applicable Historic Resource Review criteria and therefore warrants approval.


ADMINISTRATIVE DECISION

Approval of replacement windows and door on a contributing resource in the Irvington Historic District;

Approval is per Exhibits C-1 through C-3, signed and dated April 17, 2014, subject to the following condition:

- A. As part of the building permit application submittal, each of the 4 required site plans and any additional drawings must reflect the information and design approved by this land use review as indicated in Exhibits C-1 through C-3. The sheets on which this information appears must be labeled, "Proposal and design as approved in Case File # LU 13-215311 HR."

Staff Planner: Dave Skilton

Decision rendered by:  **on April 17, 2014.**
By authority of the Director of the Bureau of Development Services

Decision mailed: April 21, 2014

Procedural Information. The application for this land use review was submitted on October 10, 2013, and was determined to be complete on **March 31, 2014.**

Zoning Code Section 33.700.080 states that Land Use Review applications are reviewed under the regulations in effect at the time the application was submitted, provided that the application is complete at the time of submittal, or complete within 180 days. Therefore this application was reviewed against the Zoning Code in effect on October 10, 2013.

ORS 227.178 states the City must issue a final decision on Land Use Review applications within 120-days of the application being deemed complete. The 120-day review period may be waived or extended at the request of the applicant. In this case, the applicant did not waive or extend the 120-day review period.

Some of the information contained in this report was provided by the applicant.

As required by Section 33.800.060 of the Portland Zoning Code, the burden of proof is on the applicant to show that the approval criteria are met. The Bureau of Development Services has independently reviewed the information submitted by the applicant and has included this information only where the Bureau of Development Services has determined the information satisfactorily demonstrates compliance with the applicable approval criteria. This report is the decision of the Bureau of Development Services with input from other City and public agencies.

Conditions of Approval. If approved, this project may be subject to a number of specific conditions, listed above. Compliance with the applicable conditions of approval must be documented in all related permit applications. Plans and drawings submitted during the permitting process must illustrate how applicable conditions of approval are met. Any project elements that are specifically required by conditions of approval must be shown on the plans, and labeled as such.

These conditions of approval run with the land, unless modified by future land use reviews. As used in the conditions, the term "applicant" includes the applicant for this land use review, any person undertaking development pursuant to this land use review, the proprietor of the use or development approved by this land use review, and the current owner and future owners of the property subject to this land use review.

This decision, and any conditions associated with it, is final. It may be appealed to the Oregon Land Use Board of Appeals (LUBA), within 21 days of the date the decision is mailed, as specified in the Oregon Revised Statute (ORS) 197.830. Among other things, ORS 197.830 requires that a petitioner at LUBA must have submitted written testimony during the comment period for this land use review. Contact LUBA at 775 Summer St NE Suite 330, Salem, OR 97301-1283 or phone 1-503-373-1265 for further information.

The file and all evidence on this case are available for your review by appointment only. Please call the Request Line at our office, 1900 SW Fourth Avenue, Suite 5000, phone 503-823-7617, to schedule an appointment. I can provide some information over the phone. Copies of all information in the file can be obtained for a fee equal to the cost of services. Additional information about the City of Portland, city bureaus, and a digital copy of the Portland Zoning Code is available on the internet at www.portlandonline.com.

Recording the final decision.

If this Land Use Review is approved, the final decision must be recorded with the Multnomah County Recorder. A building or zoning permit will be issued only after the final decision is recorded. The final decision may be recorded on or after **April 22, 2014**.

The applicant, builder, or a representative may record the final decision as follows:

- By Mail: Send the two recording sheets (sent in separate mailing) and the final Land Use Review decision with a check made payable to the Multnomah County Recorder to: Multnomah County Recorder, P.O. Box 5007, Portland OR 97208. The recording fee is identified on the recording sheet. Please include a self-addressed, stamped envelope.
- In Person: Bring the two recording sheets (sent in separate mailing) and the final Land Use Review decision with a check made payable to the Multnomah County Recorder to the County Recorder's office located at 501 SE Hawthorne Boulevard, #158, Portland OR 97214. The recording fee is identified on the recording sheet.

For further information on recording, please call the County Recorder at 503-988-3034

For further information on your recording documents please call the Bureau of Development Services Land Use Services Division at 503-823-0625.

Expiration of this approval. An approval expires three years from the date the final decision is rendered unless a building permit has been issued, or the approved activity has begun.

Where a site has received approval for multiple developments, and a building permit is not issued for all of the approved development within three years of the date of the final decision, a new land use review will be required before a permit will be issued for the remaining development, subject to the Zoning Code in effect at that time.

Applying for your permits. A building permit, occupancy permit, or development permit may be required before carrying out an approved project. At the time they apply for a permit, permittees must demonstrate compliance with:

- All conditions imposed herein;
- All applicable development standards, unless specifically exempted as part of this land use review;
- All requirements of the building code; and
- All provisions of the Municipal Code for the City of Portland, and all other applicable ordinances, provisions and regulations of the City.

EXHIBITS

NOT ATTACHED UNLESS INDICATED

- A. Applicant's Statement
- B. Zoning Map (attached)
- C. Plans/Drawings:
 - 1. Site Plan (attached)
 - 2. Window and Door Details (attached)
 - 3. North and East Elevations (attached)
- D. Notification information:
 - 1. Mailing list
 - 2. Mailed notice
- E. Agency Responses: none

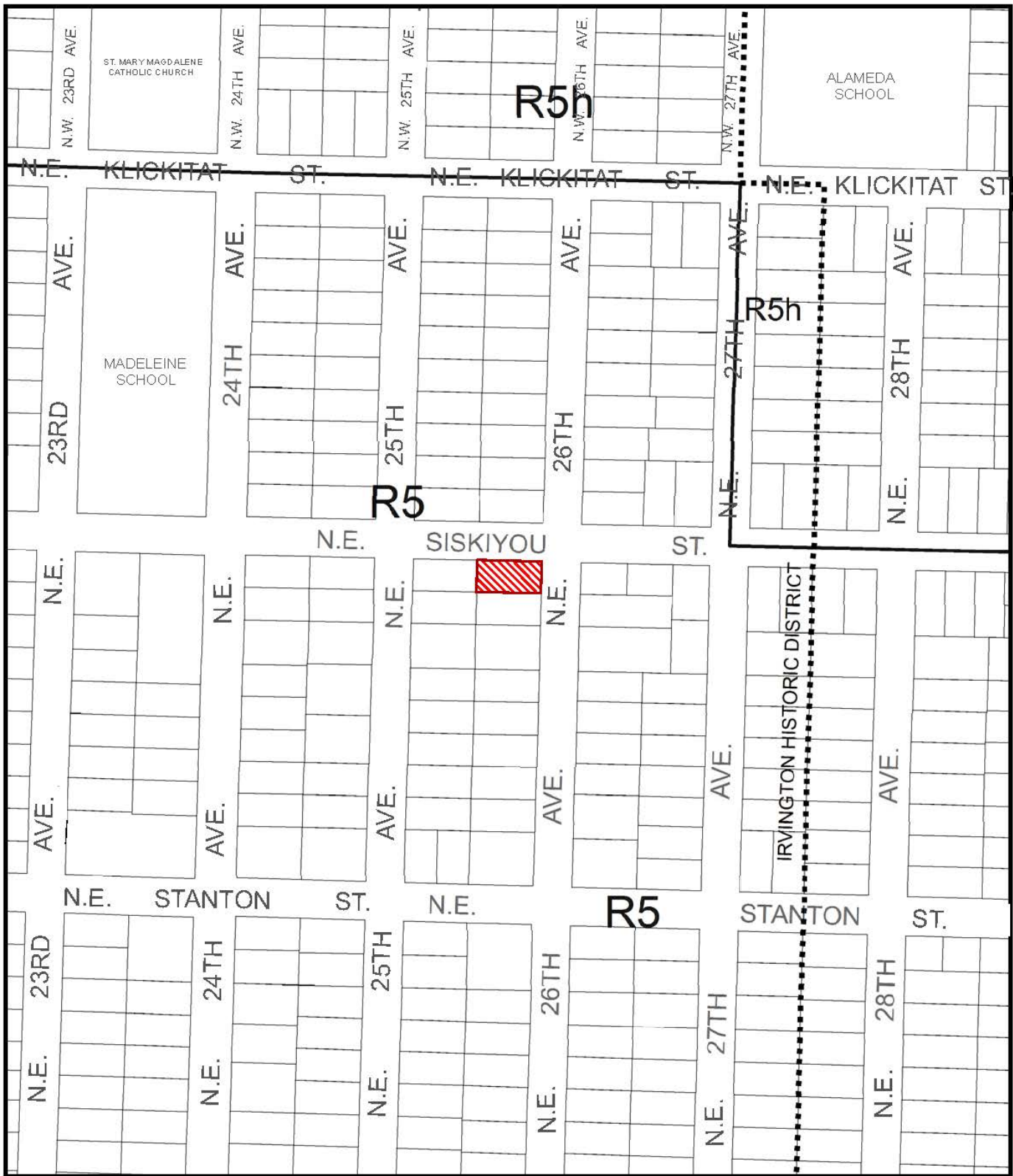
F. Correspondence:

1. Dean Gisvold, on behalf of the Irvington Community Association Land Use Committee, wrote on April 16, 2014 with no objections to the proposal.

G. Other:

1. Original LU Application

The Bureau of Development Services is committed to providing equal access to information and hearings. Please notify us no less than five business days prior to the event if you need special accommodations. Call 503-823-7300 (TTY 503-823-6868).



ZONING



Site



NORTH

This site lies within the:
IRVINGTON HISTORIC DISTRICT

File No. LU 13-215311 HR
 1/4 Section 2733
 Scale 1 inch = 200 feet
 State_Id 1N1E25BB 19200
 Exhibit B (Oct 14, 2013)

GENERAL INFORMATION

PROPERTY ID: R-4083 COUNTY: MULTNOMAH
 STATE ID: INE2006 19090 ALT ACCOUNT#: R23760699
 MAP NUMBER: 9733.CLD

SITE INFORMATION

SITE ADDRESS: 2700 N. SISKIYOU STREET, PORTLAND, OREGON, 97222

OWNER INFORMATION

OWNER: CHRISTOPHER N.K. MOOERS, 2700 NE SISKIYOU ST, PORTLAND, OR 97222

PROPERTY DESCRIPTION

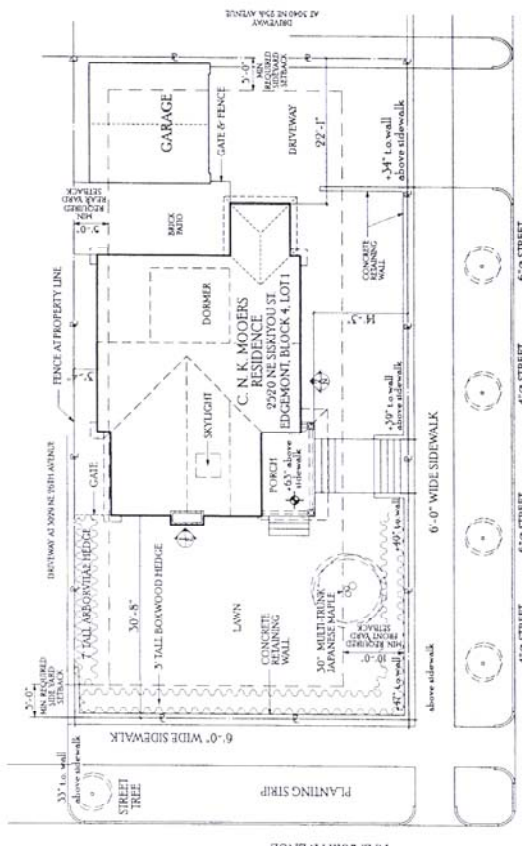
TAX PARCEL: EDGEMONT BLOCK 4, LOT 1
 DESCRIPTION: SINGLE FAMILY RESIDENTIAL
 ZONING: R0 RESIDENTIAL 5000 BOWLING HISTORIC DISTRICT
 LOT SIZE: 50,480 SQ. FT. (1.15 AC)
 EXISTING SIZE: 3072 SF. (PER CITY OF PORTLAND)

LOT COVERAGE AREA CALCULATION

LOT SIZE: 50,000 SF
 IMPERVIOUS SURFACES - WALLS, DRIVEWAY & PATIO: 790 SF EXISTING, 103 SF NEW DRIVE, WALK, STPS
 PERVIOUS SURFACES - PLANTINGS & LAWN: 2,306 SF
 TOTAL IMPERVIOUS SURFACE: 1,083 SF
 EXTERIOR PORCH: 190 SF (2002 EAST - '03 SOUTH)
 ROOF AREA: 1925 SF (INCLUDES 13 SF SKYLIGHTS)

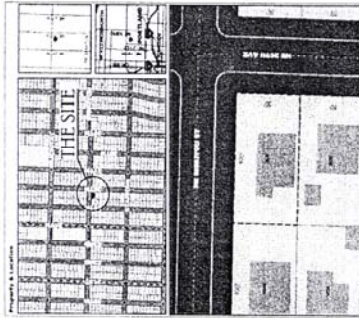
DRAWING INDEX

SP SITE PLAN/ROOF PLAN
 A11 MAIN FLOOR PLAN, DOOR & WINDOW DOCUMENTATION
 A21 EAST & NORTH ELEVATION ELEVATIONS



1 SITE PLAN/ROOF PLAN

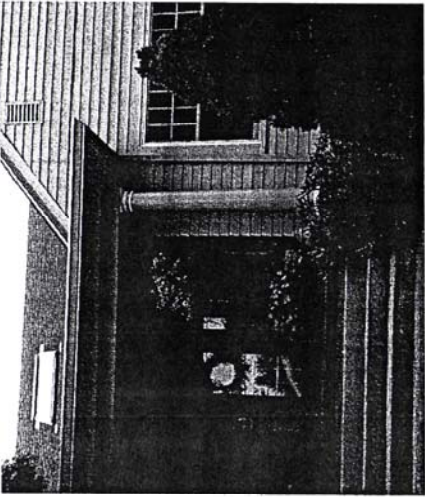
Scale: 1/8" = 1'-0"



VICINITY MAP
No Scale



HISTORIC NORTH (FRONT) ELEVATION



PRESENT NORTH (FRONT) ELEVATION

SP	SITE PLAN CODE DATA VICINITY MAP PHOTOS
Approved* City of Portland - Bureau of Development Services Planner: <i>Dore J. J. [Signature]</i> Date: <i>4-17-14</i> * This approval applies only to the reviews requested and is subject to all conditions of approval. Additional zoning requirements may apply.	
Christopher N.K. Mooers Residence LU 13, 21511 A Type II Historic Design Review 2700 NE Siskiyou Street • Portland, Oregon 97212	
Rouzie Design © 2014 4520 NE 15th Avenue • Portland, Oregon 97211 • 503-926-3922 • Email: drouzie@rouzie.com	

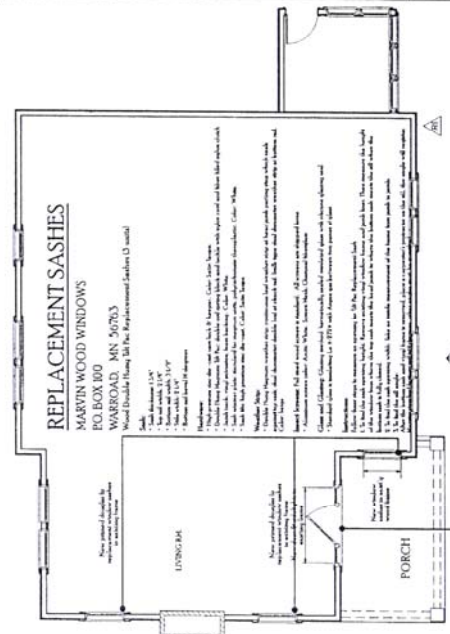
* Approved*
 City of Portland - Bureau of Development Services
 Planner *Barbara*
 Date 4.17.14
 * This approval applies only to the reviews requested and is subject to all conditions of approval. Additional zoning requirements may apply.

A1.1
 DETAILS
 MAIN FLOOR PLAN
 Scale: 1/4" = 1'-0"

Date: 10 Oct 2003
 Revisions: (Rev.) 19 March 2014

Christopher N.K. Mooers Residence
 LLC 15, 21531
 A Type I Historic Design Review
 2520 NE Siskiyou Street • Portland, Oregon 97212

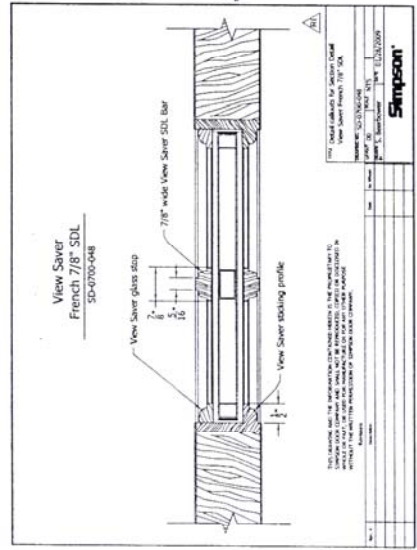
© 2014
 Rouie Design
 4520 NE 15th Avenue
 Portland, Oregon 97218
 • 503-926-5922 •
 Email: doug@rouie.com



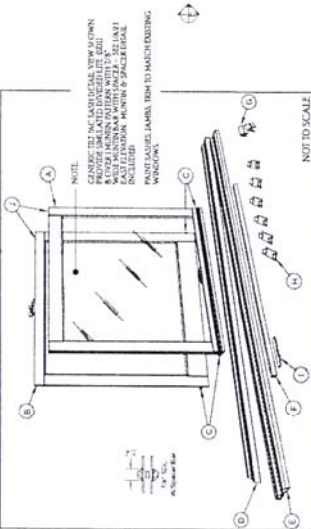
1 MAIN FLOOR PLAN
 Scale: 1/4" = 1'-0"

SIMPSON DOOR & SIDELIGHTS

- SIMPSON DOOR COMPANY
 - ENTRY DOOR: THERMAL FRENCH SSDL 3700S, 3'-0" W. x 6'-8" H., DOUGLAS FIR, 1 3/4" THICK.
 - SIDELIGHTS: THERMAL SASH SSDL 3700D EACH SIDE.
 - PROVIDE 3/4" THICK INSULATED GLASS PANEL WITH LOW-E COATING AND ARGON GAS BETWEEN PANS - U-FACTOR = 0.31
 - FIT INTO EXISTING OPENING WITH ALL ORIGINAL CASING & TRIM INTACT
 - NOTE: FIELD VERIFY ALL DIMENSIONS & CONDITIONS BEFORE ORDERING PRODUCT



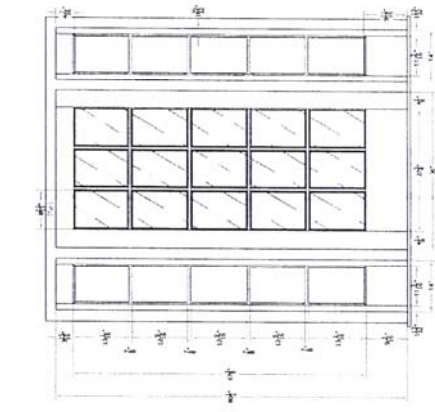
C DOOR DETAIL SECTION
 NOT TO SCALE



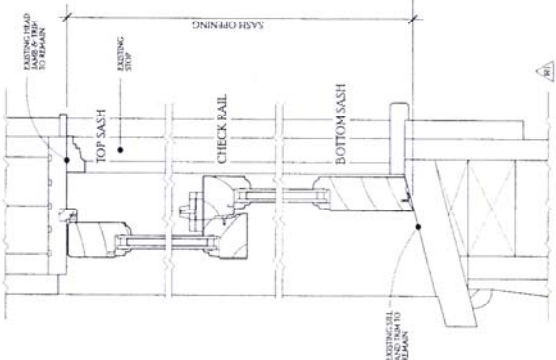
- DEMOLITION AND FINISHES:**
 - REMOVE EXISTING VINYL WINDOW FRAME AND JAMB LINERS.
 - REMOVE EXISTING GLASS PANELS AND FILL WITH WOOD OR POLYURETHANE FILLER.
 - NOTE: CONTRACTOR/INSTALLER TO BE LEAD PAINT REMOVAL AND DISPOSAL CERTIFIED BY THE STATE OF OREGON.
- WINDOW HORIZ. SECTION**
 NOT TO SCALE
- A. TOP SASH
 B. BOTTOM SASH
 C. LEFT JAMB LINDER
 D. RIGHT JAMB LINDER
 E. HEAD JAMB PART STOP
 F. TWO SASH STOPS
 G. TWO PAM BRACKETS
 H. TWO PAM COUPLERS

MARVIN DOUBLE HUNG TILT PAC WINDOW SASHES

- TYPICAL WINDOW: MARVIN TILT PAC REPLACEMENT SASH, 2'-10 1/2" x 4'-7 1/2" H., DOUGLAS FIR, 1 3/4" THICK, PRIMED.
 - PROVIDE 3/4" THICK INSULATED GLASS PANEL WITH LOW-E COATING AND ARGON GAS BETWEEN PANS - U-0.31
 - FIT INTO EXISTING OPENING WITH ALL ORIGINAL CASING & TRIM INTACT
 - NOTE: FIELD VERIFY ALL DIMENSIONS & CONDITIONS BEFORE ORDERING PRODUCT



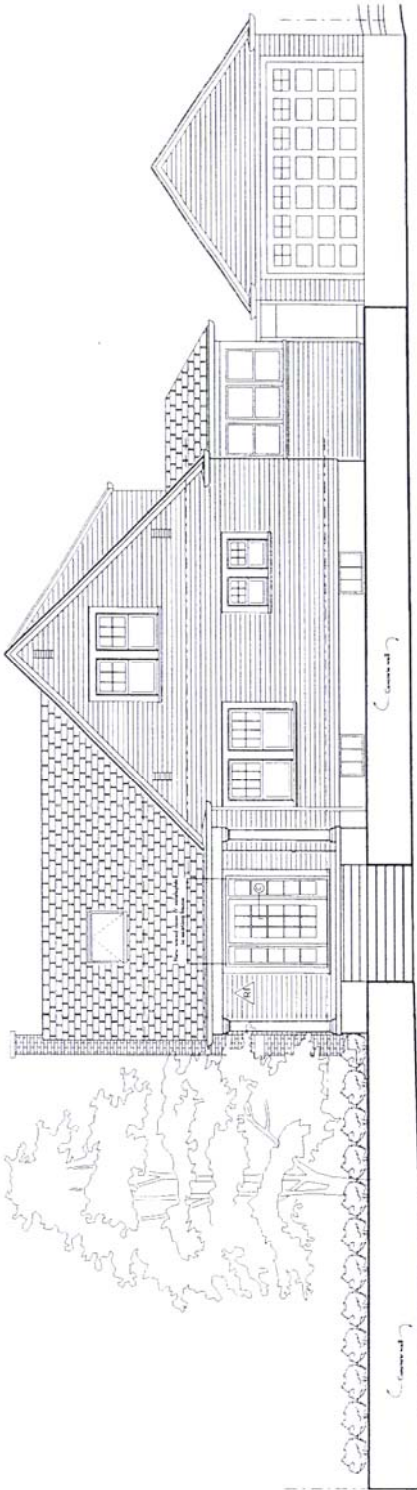
B WINDOW EXTERIOR ELEVATION
 NOT TO SCALE



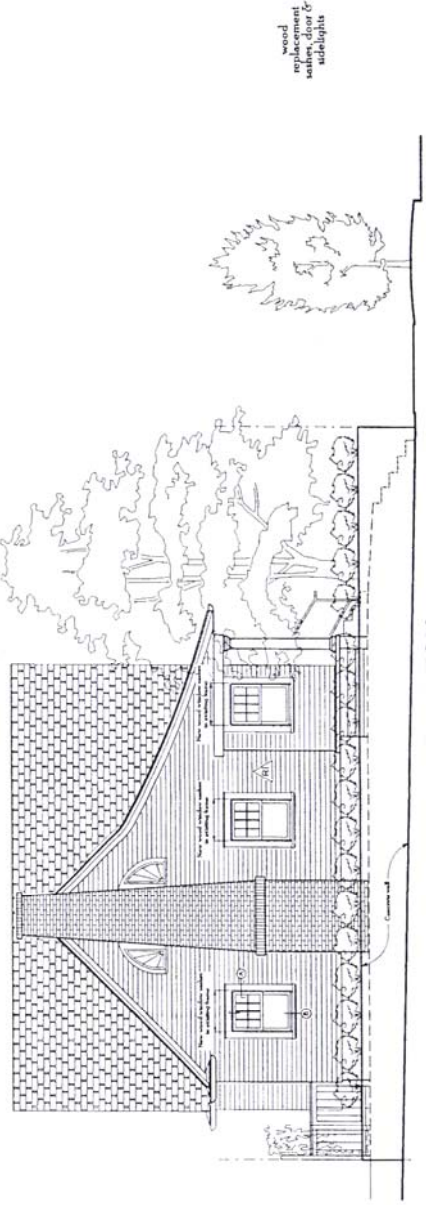
B WINDOW VERTICAL DETAIL SECTION
 NOT TO SCALE

* Approved
 City of Portland - Bureau of Development Services
 Planner: *Dore J. J. J.* Date: *4.17.14*
 * This approval applies only to the reviews requested and is subject to all conditions of approval. Additional zoning requirements may apply.

A2.1
 Scale: 1/4" = 1'-0"
 BUILDING ELEVATIONS
 Revisions: 10 Oct 2013, 19 March 2014
 Date: 10 Oct 2013
 Christopher N.K. Mooers Residence
 A Type I Historic Design Review
 LU 13 215311
 2520 NE Siskiyou Street • Portland, Oregon 97212
 © 2014
 Rouzie Design
 4520 NE 15th Avenue • Portland, Oregon 97211
 503-926-5922 • Email: don@rouzie.com



2 NORTH (FRONT) ELEVATION
 Scale: 1/4" = 1'-0"



1 EAST ELEVATION
 Scale: 1/4" = 1'-0"

C-3