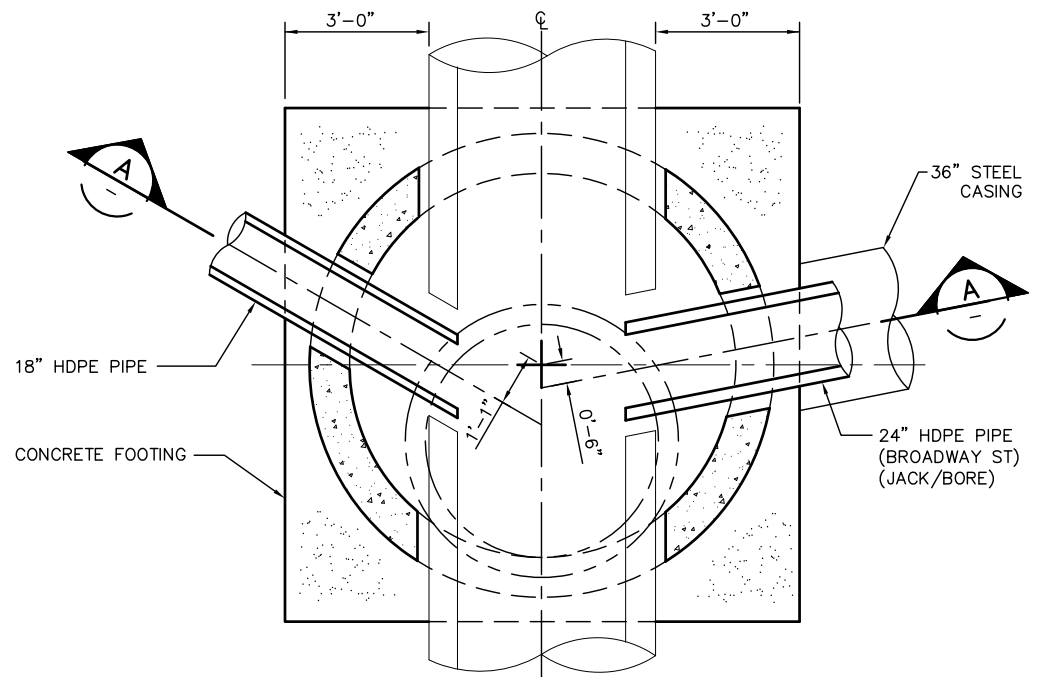


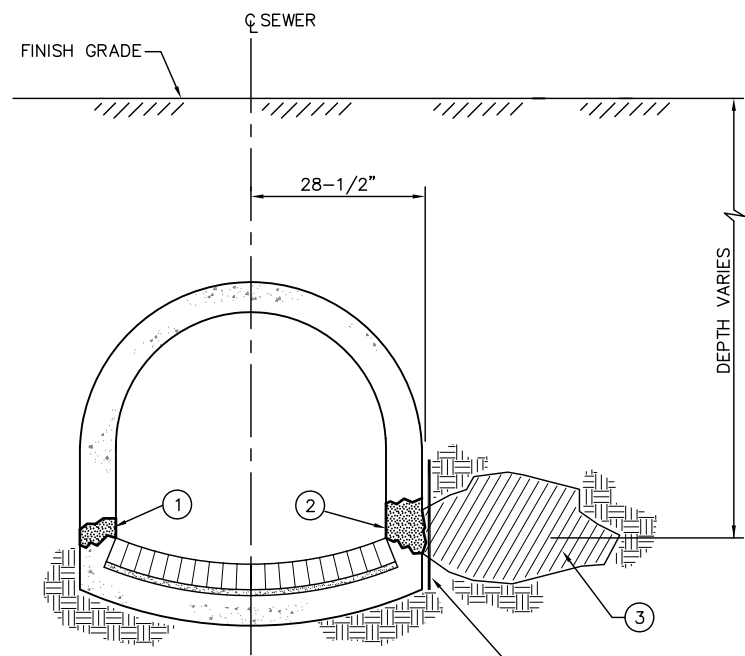
**42"x45" CIPP REHABILITATION**  
NOT TO SCALE

1



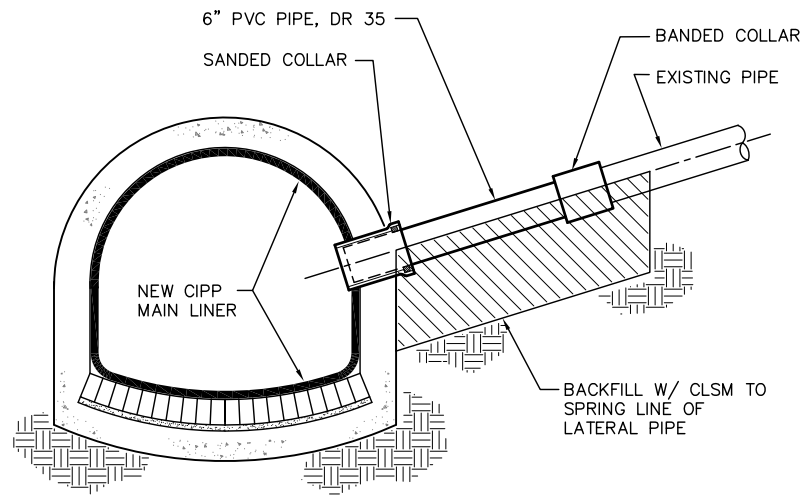
**SECTION-PLAN VIEW**

B



**TRUNK CAVITY REHABILITATION DETAIL**  
NOT TO SCALE

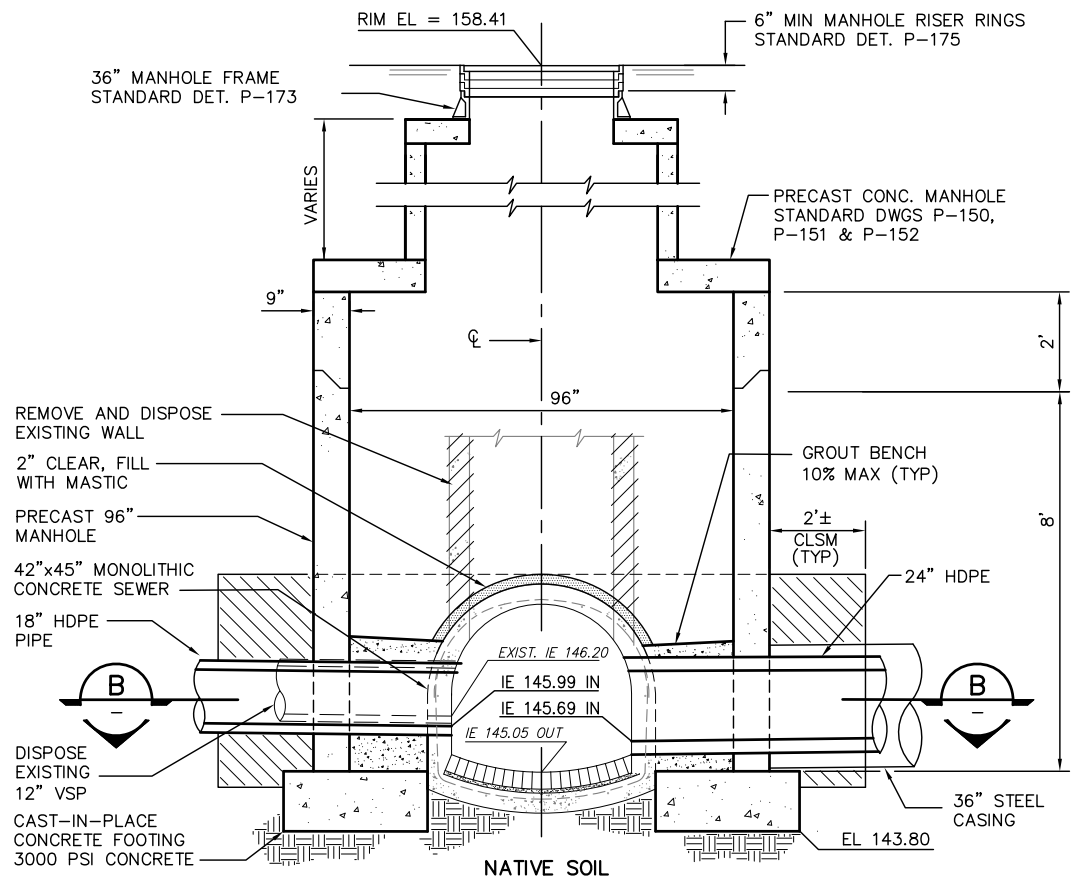
2



**SANDY TRUNK LATERAL SEWER  
PIPE CONNECTION DETAILS**

NOT TO SCALE

3



**MH 14 (ABD247)  
NE 40TH AVE**

NOT TO SCALE

A

C02

D:\CAD\_PROJECTS\EOXXXX\_HOLLYWOOD\DWG\EOXXXX\_CD01.DWG 6/4/2013 10:16:44 AM JOHND

DESIGNED BY		DATE APPD.	
DRAWN BY		PROGRAM MGR.	
CHECKED BY		CONST. MGR.	
DESIGN MGR.			
XREF(S) USED: N/A		ROTATION ANGLE: N/A	
CONSTRUCTED BY		PROJECT COMPLETED	
MAP CORRECTED BY		CHECKED BY	
FINAL MAP DATA			
DRAWING NAME: EOXXXX_CD01.DWG			
NO.	DATE	DESCRIPTION	APPD.
REVISION			

CITY OF PORTLAND  
**ENVIRONMENTAL SERVICES**



**HOLLYWOOD NEIGHBORHOOD  
RELIEF AND RECONSTRUCTION**  
DETAILS

**1\_SAMPLE\_DETAIL\_SEWER.PDF**

1/4 SECTION  
JOB NO. EOXXXX  
SHEET NO. CD01  
36 OF 40