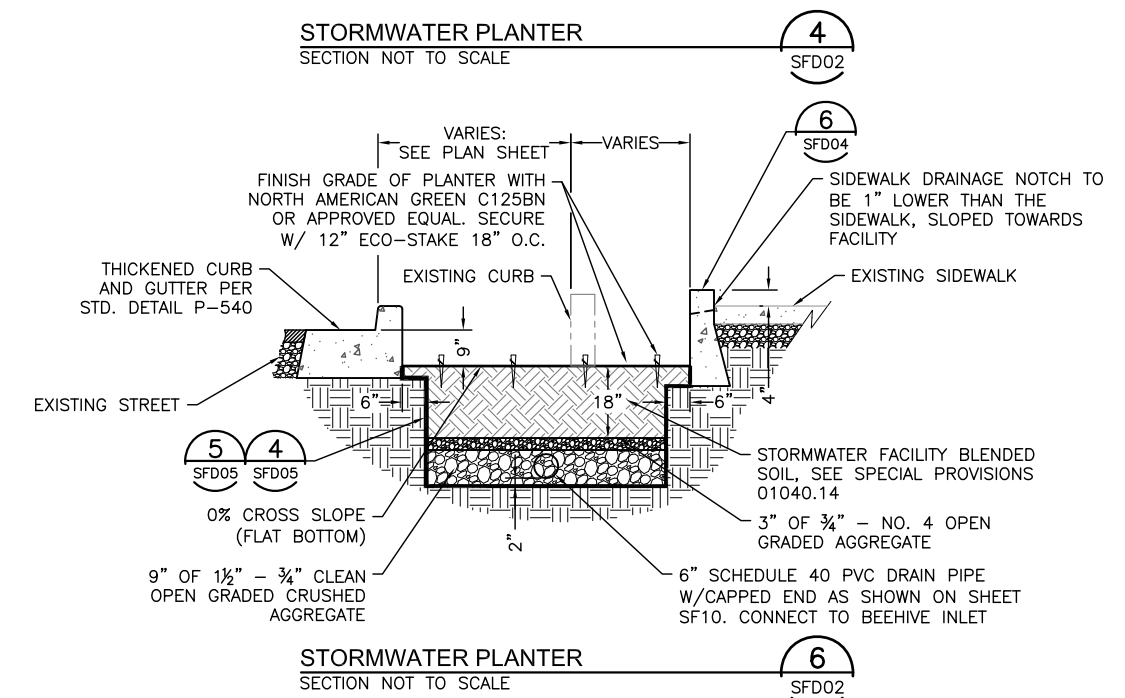
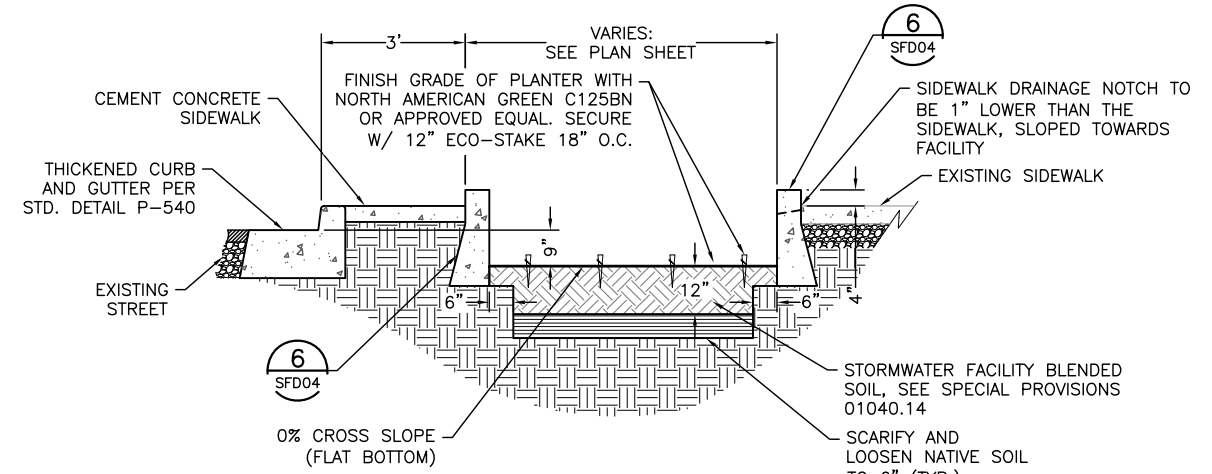
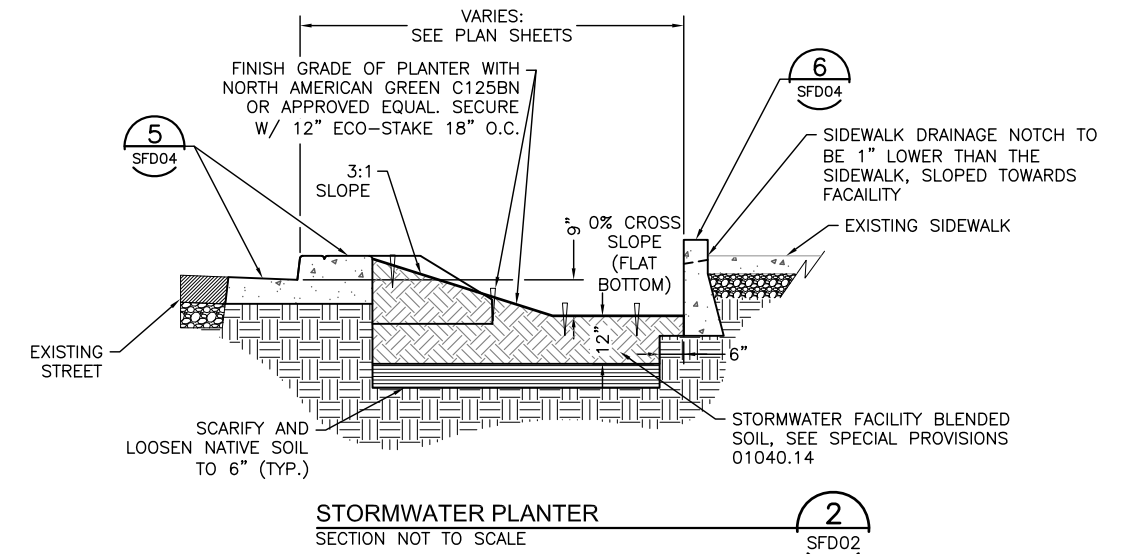
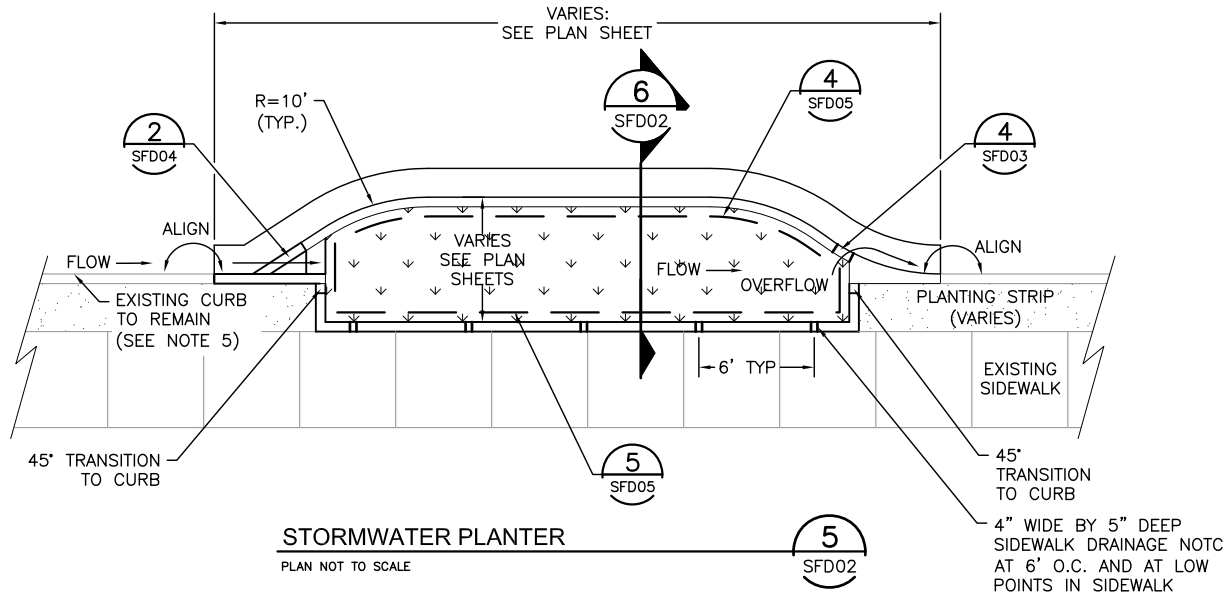
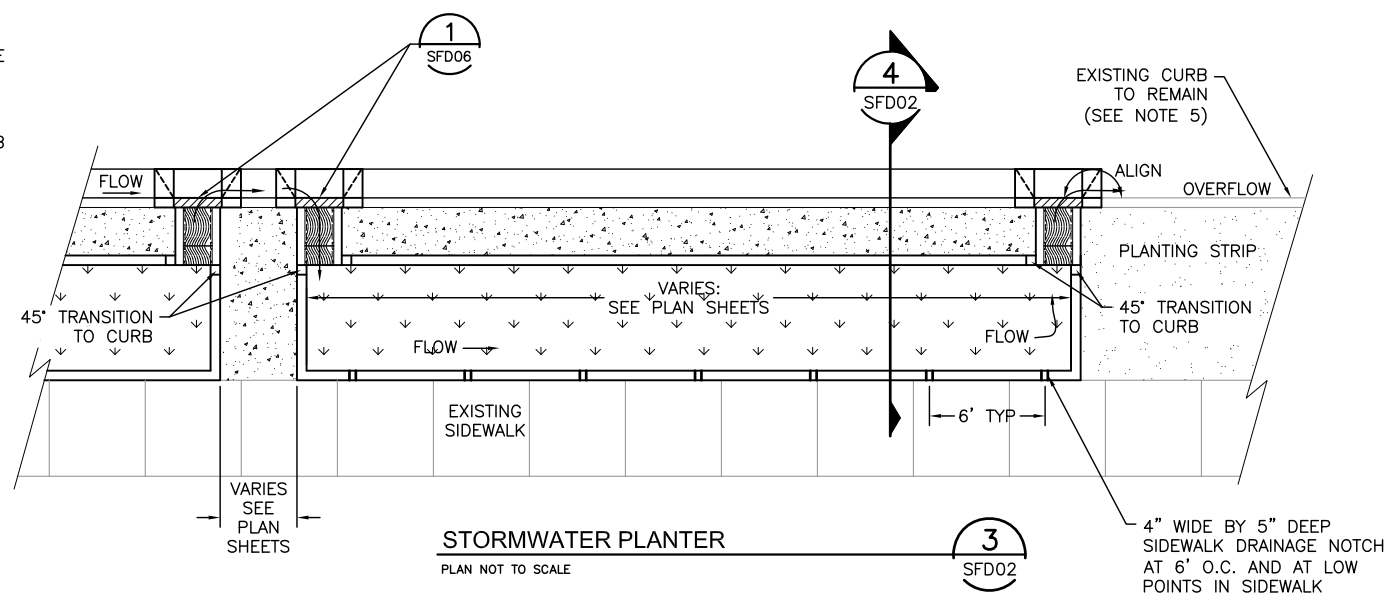
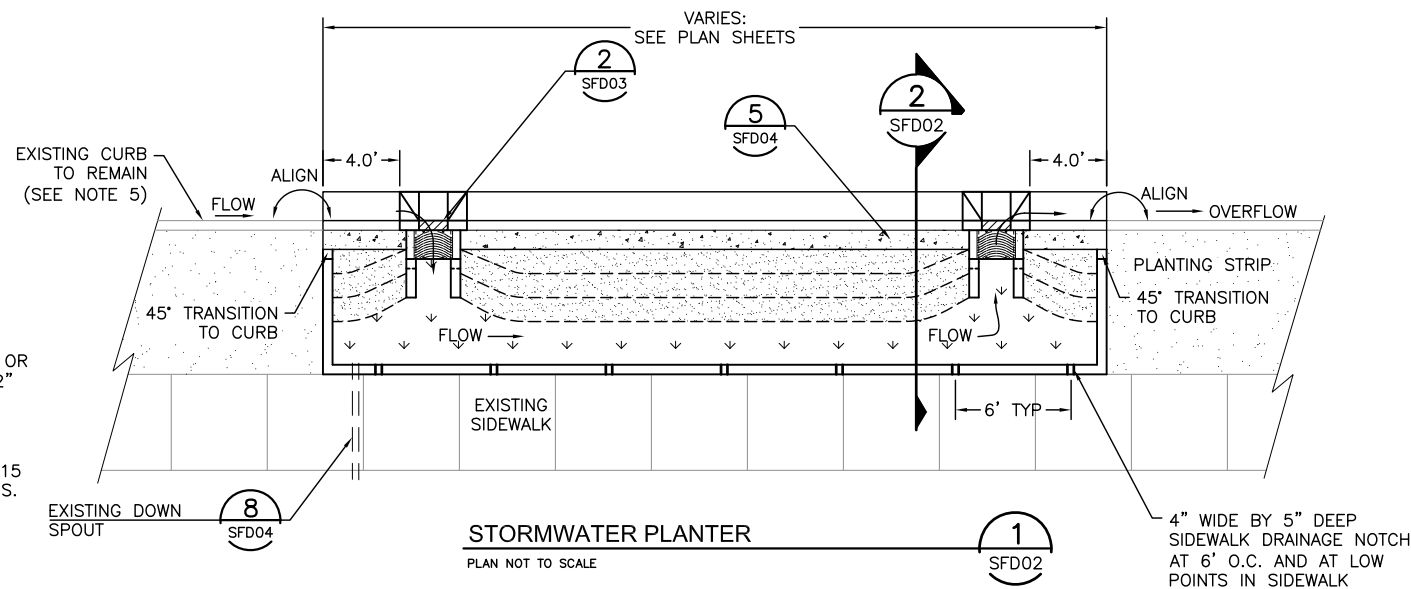


D:\CAD\_PROJECTS\EOXXXX\_SE POWELL\DWG\EOXXXX\_SFD01-02.DWG 2/25/2015 4:16:00 PM JIMO

**SHEET NOTES:**

1. WHEN COMPLETED, COVER WITH NORTH AMERICAN GREEN C125BN OR APPROVED EQUAL. SECURE W/ 12" ECO-STAKE 18" O.C.
2. OUTLET MAY VARY IN SPECIFIC LOCATIONS, SEE SHEETS SF01-SF15 FOR OUTLET TYPES AND LOCATIONS.
3. STORMWATER FACILITY AREAS ARE GIVEN IN SQUARE FOOTAGE, SEE SHEET G05.
4. LINER MAY BE REQUIRED ALONG SOME PORTION OF THE FACILITY. SEE PLAN SHEETS SF01-SF15 FOR EXTENTS AND TYPE OF LINER.
5. WHEN MATCHING INTO EXISTING CURB EXPOSURE LESS THAN 6", SAW CUT BEYOND FACILITY AND TRANSITION WITH NEW STANDARD CURB AT 1/2" / FOOT.



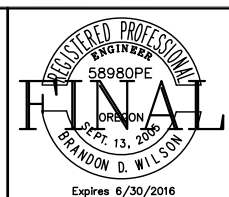
NO.	DATE	DESCRIPTION	APPD.

XREF(S) USED: N/A	DESIGNED BY: XXX	DATE APPD.: XXX
ROTATION ANGLE: N/A	DRAWN BY: XXX	PROGRAM MGR.: XXX
CONSTRUCTED BY: _____	CHECKED BY: XXX	CONST. MGR.: MWH
PROJECT COMPLETED: _____	MAP CORRECTED BY: _____	CHECKED BY: _____
DRAWING NAME: E0XXXX_SFD01-02.DWG	DESIGN MGR.: XXX	

APPROVAL:	
NICK FISH WILLIAM F. RYAN, P.E. COMMISSIONER CHIEF ENGINEER	REG. PROF. ENGR. NO. 16301PE
STEVE NOVICK STEVE TOWNSEN, P.E. COMMISSIONER CITY ENGINEER	REG. PROF. ENGR. NO. 51538PE

**CITY OF PORTLAND**  
**ENVIRONMENTAL SERVICES**  
 NICK FISH  
 WILLIAM F. RYAN, P.E.  
 COMMISSIONER  
 CHIEF ENGINEER

**CITY OF PORTLAND**  
**BUREAU OF TRANSPORTATION**  
 STEVE NOVICK  
 STEVE TOWNSEN, P.E.  
 COMMISSIONER  
 CITY ENGINEER



**SE POWELL RECONSTRUCTION AND GREEN STREETS (TGD-01, TGD-02, TGA-06)**

STORMWATER FACILITY DETAILS  
 PLAN AND SECTION VIEWS

1/4 SECTION VARIES  
 JOB NO. E0XXXX  
 SHEET NO. SFD02  
 48 OF 72

3\_SAMPLE\_DETAIL\_STORM-FACILITY.PDF