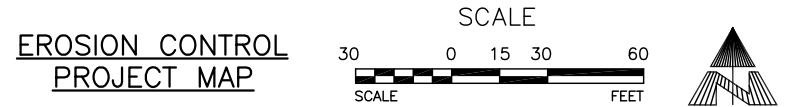
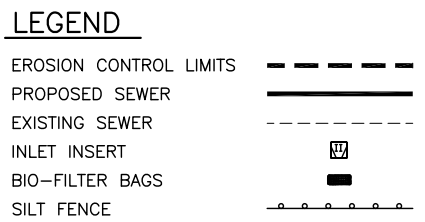
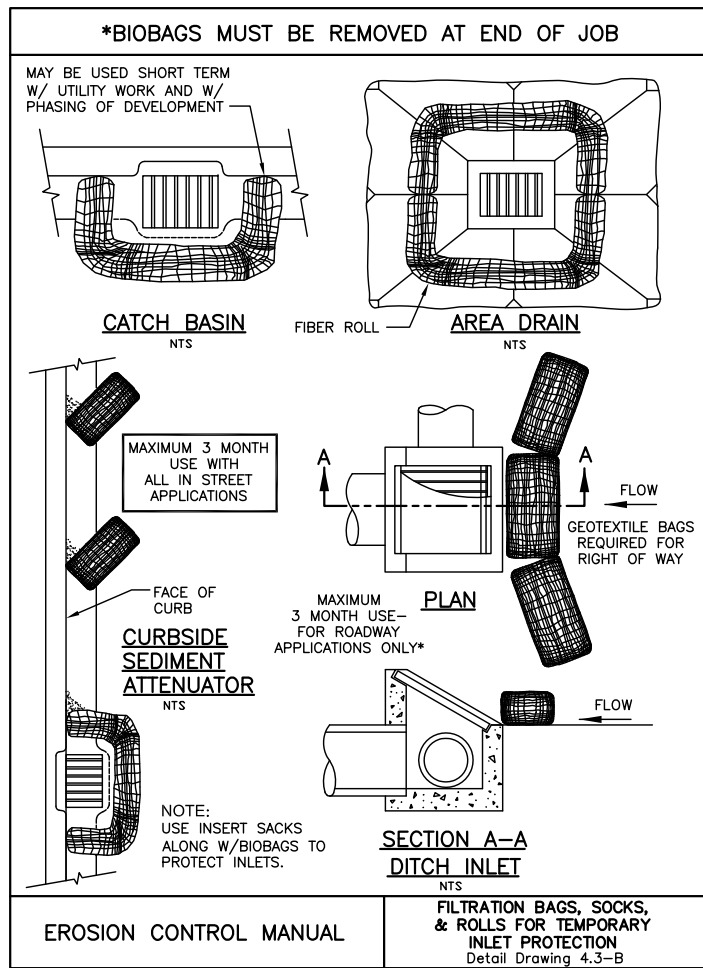
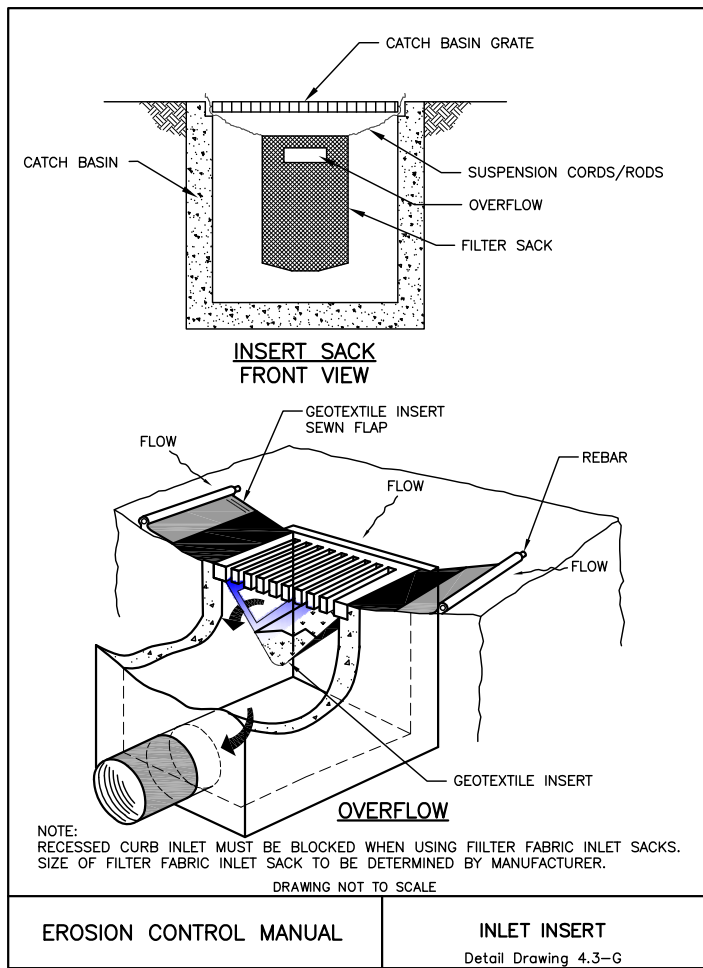
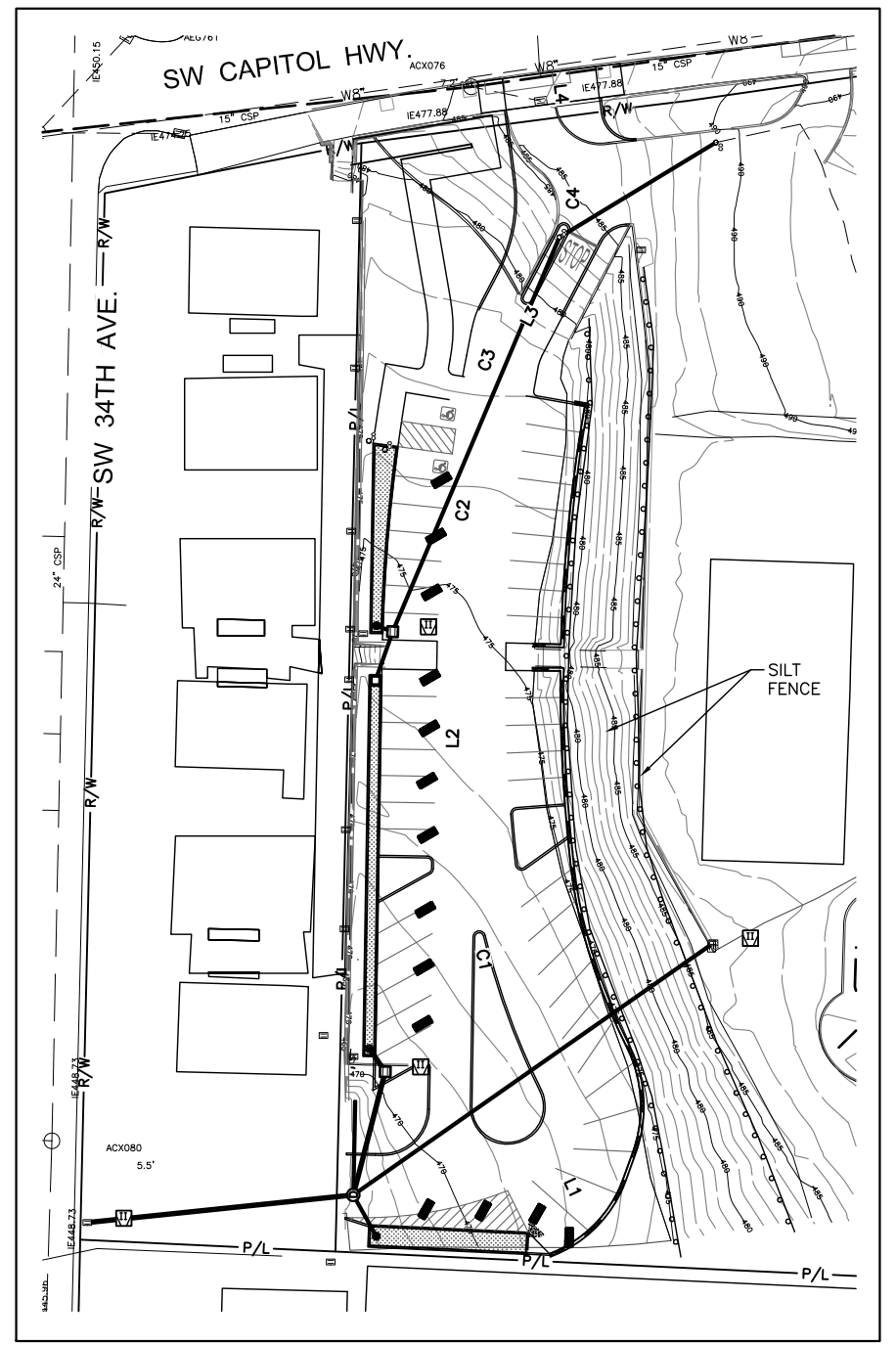


GENERAL NOTES FOR EROSION, SEDIMENT AND POLLUTANT CONTROL

1. EROSION, SEDIMENT AND POLLUTANT CONTROL IS REQUIRED FOR THIS PROJECT.
2. PREPARE AN EROSION, SEDIMENT AND POLLUTANT CONTROL PLAN (ESPCP) BEFORE BEGINNING WORK. KEEP A COPY OF THE ESPCP AND THE CITY EROSION AND SEDIMENT CONTROL MANUAL (MARCH 2008) ON SITE AT ALL TIMES DURING THE PROJECT.
3. THE EROSION AND SEDIMENT CONTROL FACILITIES SHOWN ON THIS PLAN ARE THE MINIMUM REQUIREMENTS FOR THE ANTICIPATED SITE AND SEASONAL CONDITIONS. UPGRADE THESE FACILITIES TO ADDRESS CHANGING WORK OR WEATHER CONDITIONS.
4. SELECT BEST MANAGEMENT PRACTICES (BMPs) FROM THE FOLLOWING DOCUMENTS: 1) THE CITY OF PORTLAND EROSION AND SEDIMENT CONTROL MANUAL; 2) THE STANDARD CONSTRUCTION SPECIFICATIONS AND 3) THE PROJECT SPECIAL PROVISIONS.
5. INSTALL, MONITOR, REPLACE AND UPGRADE ALL FACILITIES AND MEASURES. PERFORM MAINTENANCE TO ENSURE THEIR CONTINUED FUNCTIONING.
6. INSPECT AND MAINTAIN ALL FACILITIES AND MEASURES UNTIL WORK AREAS ARE RESURFACED OR STABILIZED.
7. COMPLETE AN EROSION CONTROL MONITORING FORM AFTER EACH INSPECTION. INCLUDE THE INSPECTION DATE AND TIME. RETAIN THESE COMPLETED FORMS ON SITE AND PROVIDE THEM UPON REQUEST.
8. NO VISIBLE AND MEASURABLE SEDIMENT OR POLLUTANT SHALL EXIT THE SITE, ENTER A PUBLIC RIGHT-OF-WAY OR BE DEPOSITED INTO ANY WATER BODY OR STORM DRAINAGE SYSTEM.
9. FOLLOWING A STORM EVENT, INSPECT AND ADJUST, REPAIR, IMPROVE OR REPLACE ALL DEFICIENT OR FAILING FACILITIES AND MEASURES.
10. PROTECT ALL FUNCTIONING STORM WATER INLETS AND CATCH BASINS FROM RECEIVING UNFILTERED SEDIMENT -LADEN RUNOFF.
11. REMOVE SEDIMENT AND DEBRIS FROM INLETS AND CATCH BASINS BEFORE PAVING. DO NOT FLUSH SEDIMENT-LADEN WATER INTO THE DOWNSTREAM SYSTEM.
12. STABILIZE ALL EXPOSED SOIL IMMEDIATELY FOLLOWING GROUND DISTURBING ACTIVITY.
13. STABILIZE AND PROTECT STOCKPILED SOIL WITH APPROVED MEASURES.
14. REMOVE EROSION AND SEDIMENT CONTROL FACILITIES AFTER THE PROJECT IS COMPLETED AND ACCEPTED.



D:\CAD_PROJECTS\E1XXXX_MULTNOMAH_ARTS\DWG\E1XXXX_CE01.DWG 6/4/2012 2:42:14 PM JOHND

2_SAMPLE_EROSION_PARKING.PDF

NO.	DATE	DESCRIPTION	APPD.
REVISION			
DRAWING NAME: E1XXXX_CE01			

DESIGNED BY	DATE APPD.
DRAWN BY	PROGRAM MGR.
CHECKED BY	CONST. MGR.
DESIGN MGR.	

CITY OF PORTLAND
ENVIRONMENTAL SERVICES

REGISTERED PROFESSIONAL ENGINEER
99999
OREGON
JUNE 01, 2000
JOHN D. ENGINEER
Expires XX/XX/20XX

60%

**MULTNOMAH ARTS CENTER
STORMWATER RETROFIT**

EROSION CONTROL PLAN AND DETAILS

1/4 SECTION	3826
JOB NO.	E1XXXX
SHEET NO.	CE01
	12 OF 12