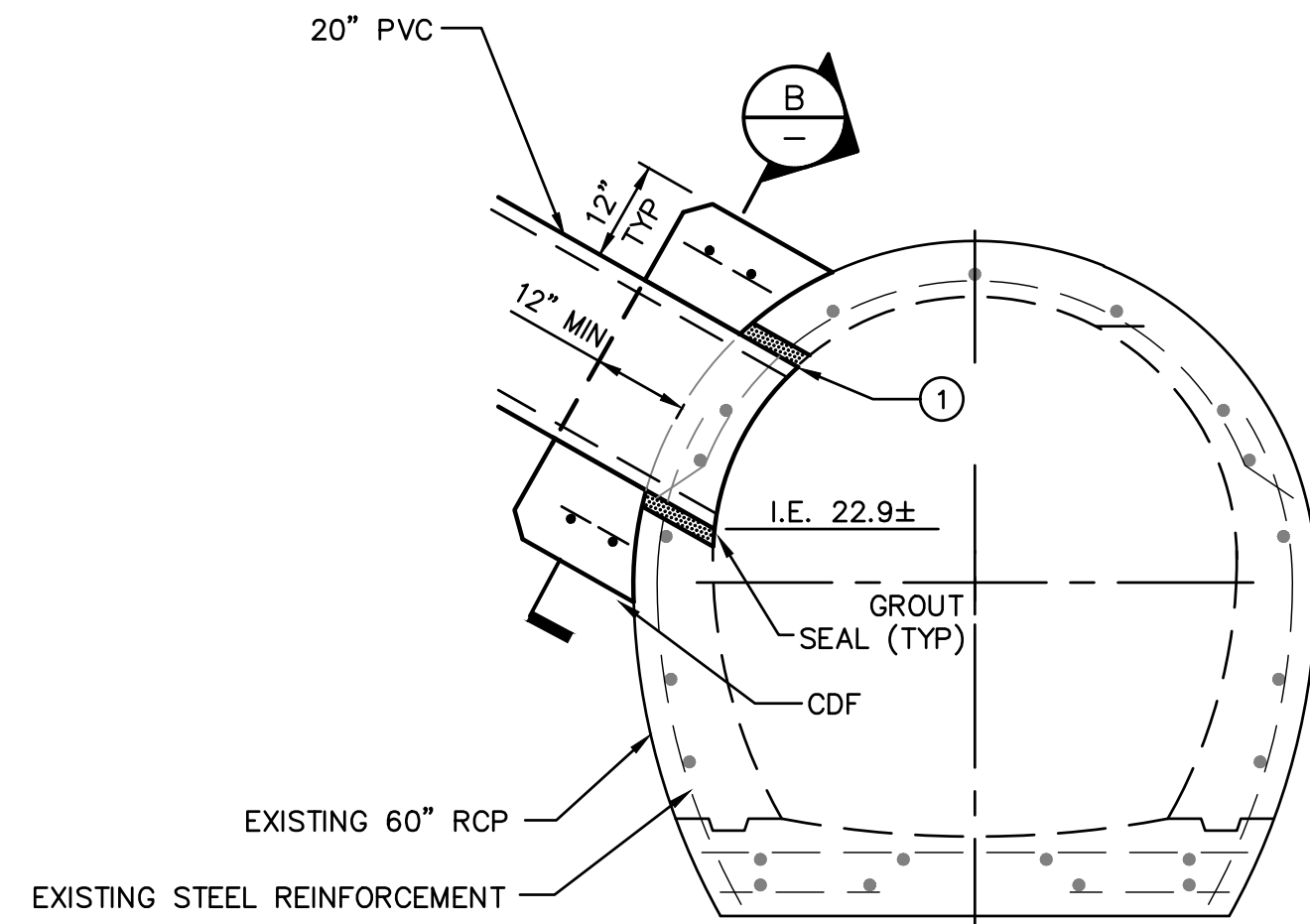
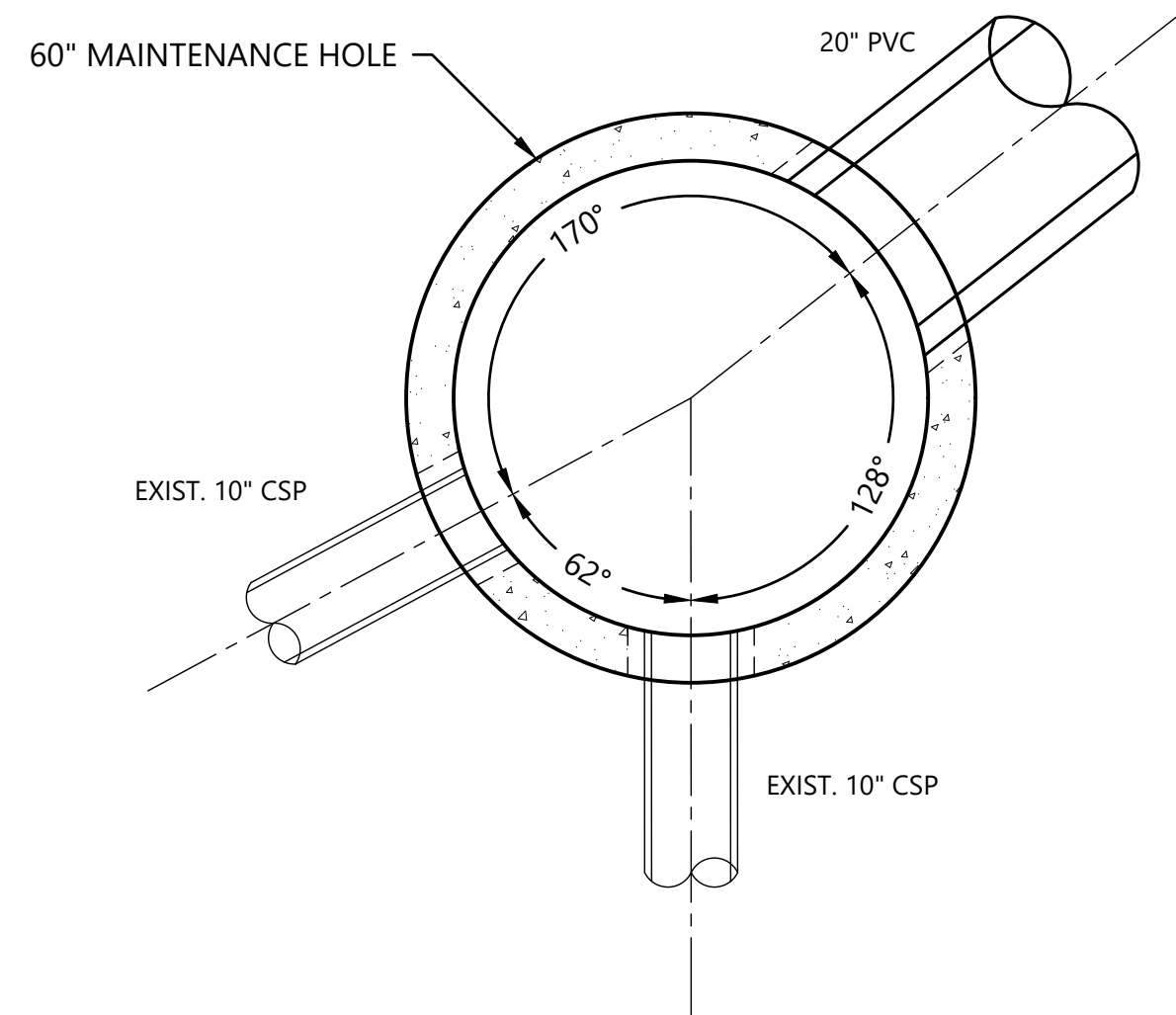
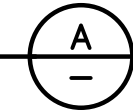


Q:\DAN_PERDE\E11504_S_BANCROFT & S_Texas\E11504_CD-SHEETS-1.DWG 11/7/2022 PERDE-ZUNDEL DAN

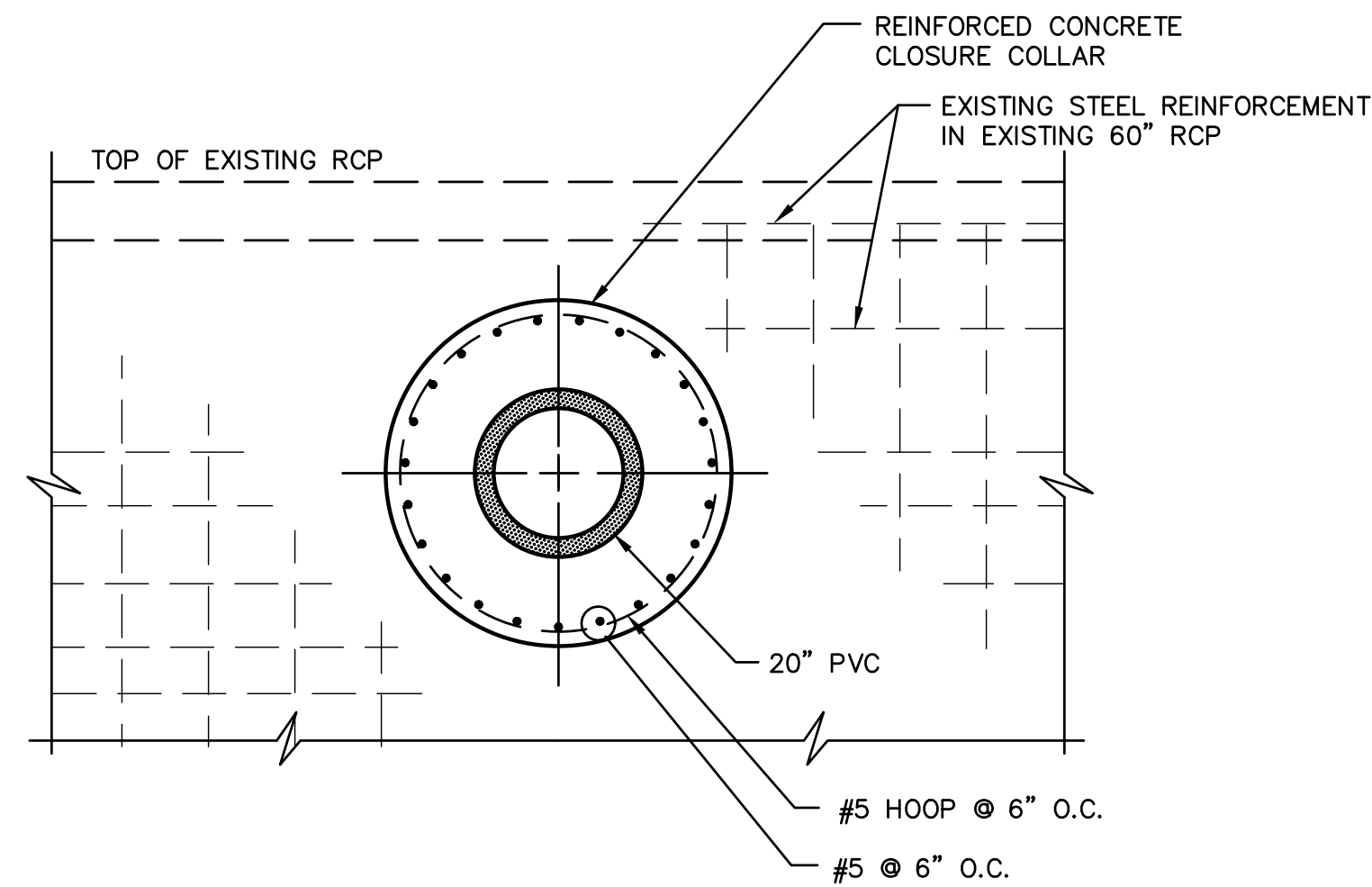
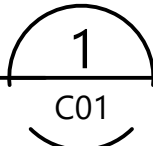


NOTES:
 ① THE PIPE CONNECTION IS TO BE WATERTIGHT AND FREE FROM SEEPAGE. USE SANDED COLLARS OR APPROVED EQUAL FOR PVC CONNECTIONS.

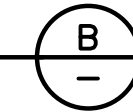
SECTION - CONNECTION OF 20" PVC TO 60" RCP AT CLOSURE COLLAR



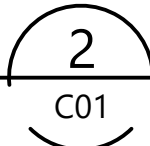
MH-01 DETAIL
NOT TO SCALE



SECTION - CLOSURE COLLAR



BLIND TAP CONNECTION DETAIL
NOT TO SCALE



NO.	DATE	DESCRIPTION	APPD.	DRAWING NAME:	E11504_CD-Sheets-1.dwg
		REVISION			

DESIGNED BY:	DAB	DATE APPROVED:	
DRAWN BY:	DABZ	ENGR. SUPV.:	
CHECKED BY:	RIC	ENGR. DIV. MGR.:	
CONSTRUCTED BY:		CONST. DIV. MGR.:	
PROJECT COMPLETED:			
MAP CORRECTED BY:			
XREF(S) USED:			
ROTATION ANGLE:		N/A	
FINAL MAP DATA			

CITY OF PORTLAND
ENVIRONMENTAL SERVICES

DRAFT

60%

S BANCROFT & S TEXAS
SEWER REHABILITATION

DETAILS

1/4 SECTION	N/A
JOB NO.	E11504
SHEET NO.	CD01
	07 OF 10