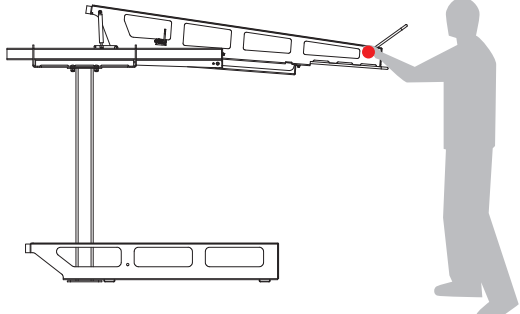
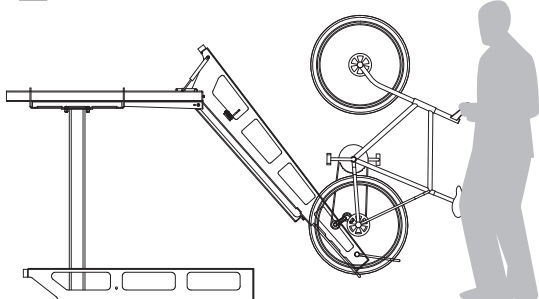


1



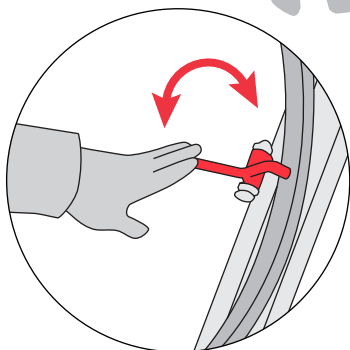
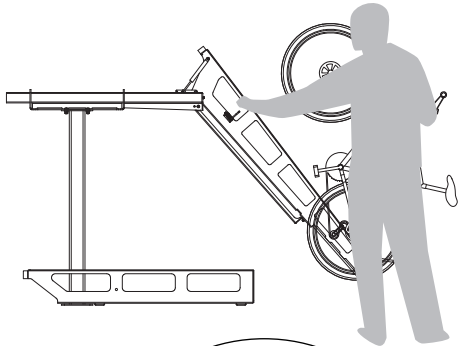
Pull tray down with red handles

2



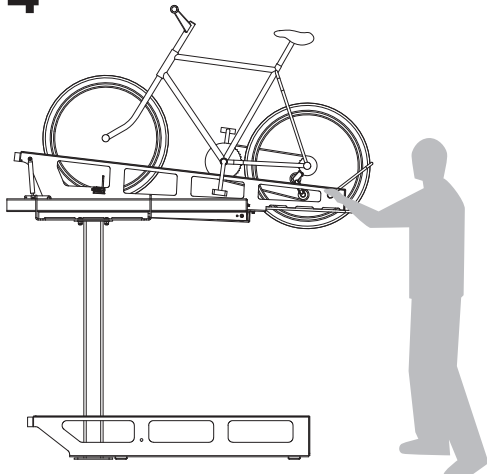
Use knee to help position
bike into tray

3



Front wheel MUST be secured
with red lever

4



Push tray back into locked
position with both hands

Patent #8,950,592



DERO

A PLAYCORE Company

www.dero.com