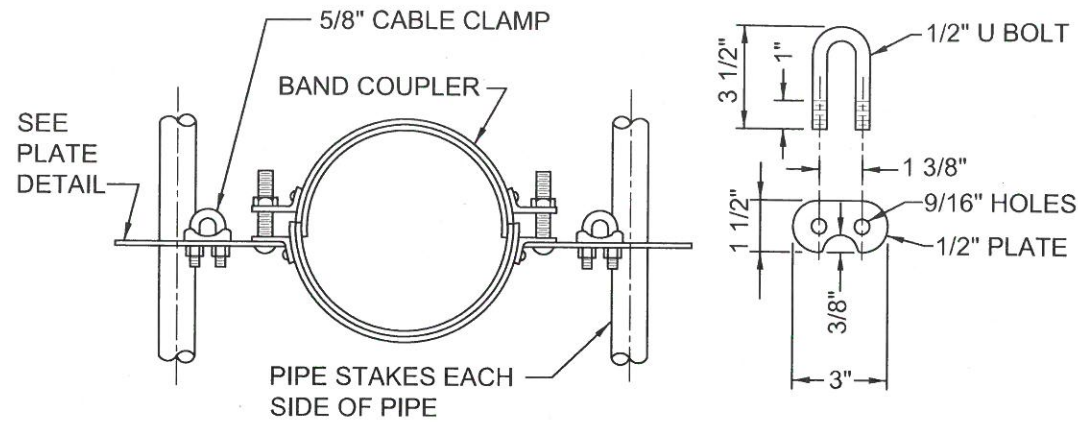


P-104_METAL_SLOPE_ANCHORS.DWG 12/19/16 2:43 PM RICKS



ANCHOR ASSEMBLY ALTERNATE "A"
CABLES AND CABLE CLAMPS TO BE USED WHEN SPECIFIED.

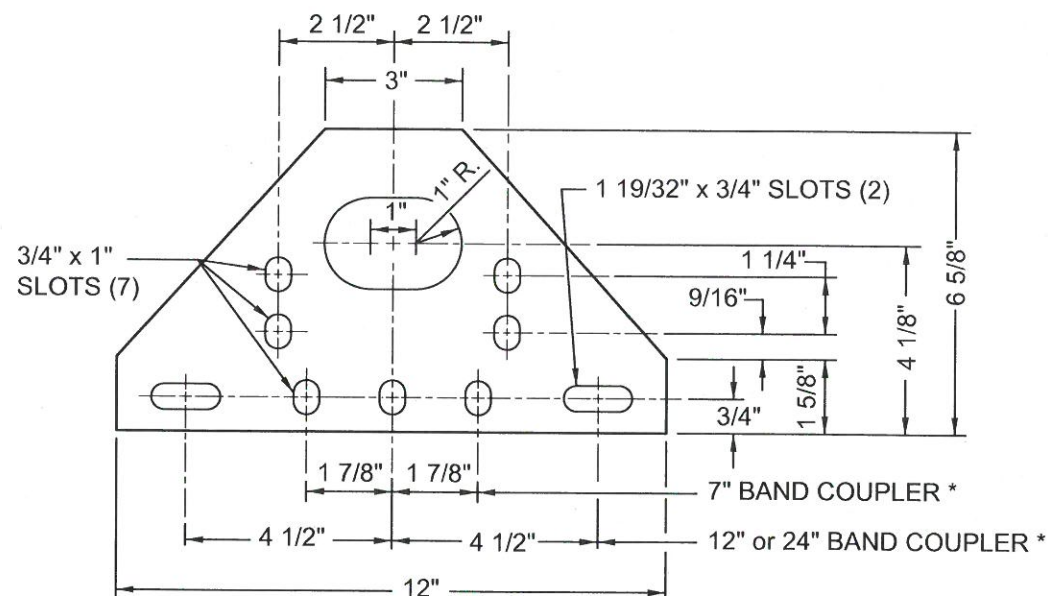
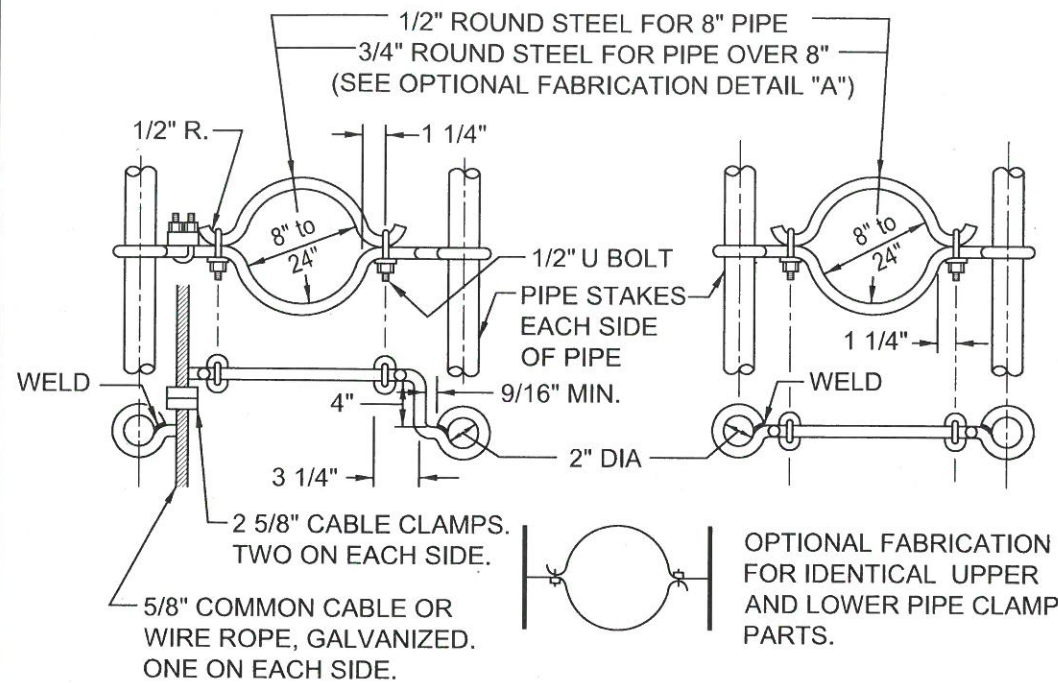


PLATE DETAIL 1A

* LENGTH OF BAND COUPLER MEASURED PARALLEL TO THE CENTERLINE OF THE PIPE.

GENERAL NOTES FOR ALL DETAILS:

1. ALL PIPE STAKES AND HARDWARE TO BE GALVANIZED AFTER FABRICATION.
2. EITHER ALTERNATE "A" OR ALTERNATE "B" ANCHOR ASSEMBLY MAY BE USED AT CONTRACTOR'S OPTION FOR BELLED PIPE (SUCH AS PVC). ALTERNATE "A" TO BE USED WITH FUSED PIPE (SUCH AS HDPE).
3. EITHER TYPE 1 OR TYPE 2 PIPE STAKES MAY BE USED WITH EITHER ANCHOR ASSEMBLY ALTERNATE AT THE CONTRACTOR'S OPTION.
4. PLACE SLOPE ANCHOR ASSEMBLIES WITH APPROPRIATE SPACING, ON PIPE SLOPES 10% OR GREATER, AS SHOWN OR DIRECTED.
5. PLATE MATERIAL TO BE ASTM A36 1/4". GALVANIZE AFTER FABRICATION.



WITH CABLE

WITHOUT CABLE

ANCHOR ASSEMBLY ALTERNATE "B"
CABLES AND CABLE CLAMPS TO BE USED WHEN SPECIFIED.

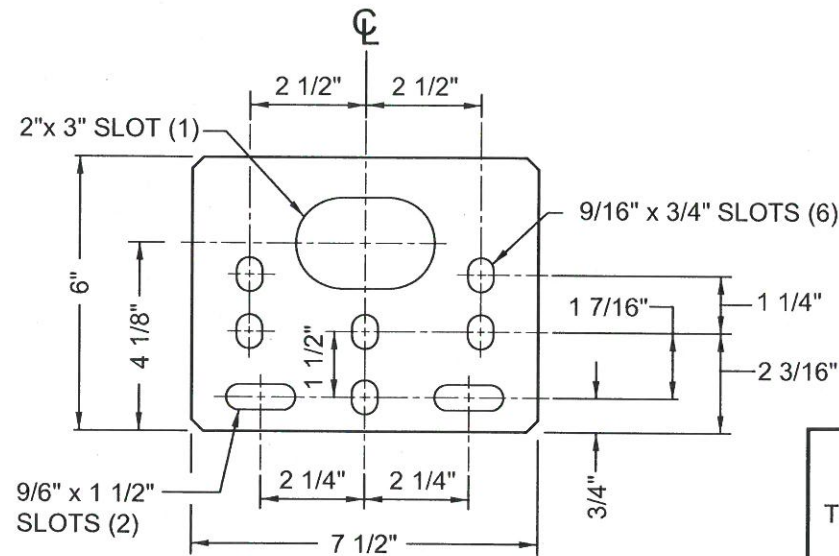
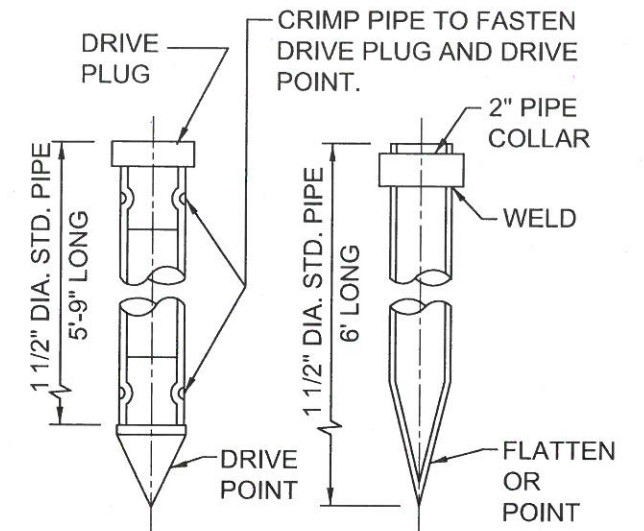


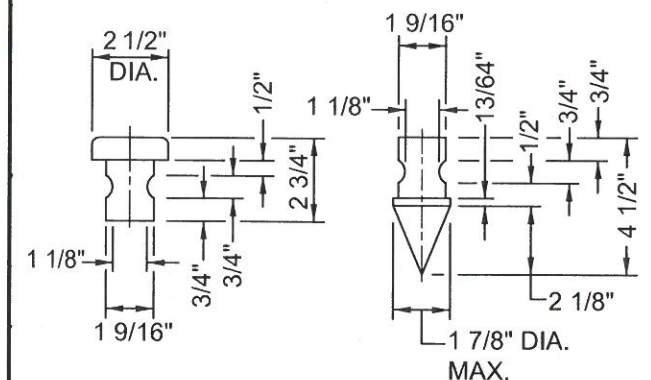
PLATE DETAIL 1B



TYPE II

TYPE I

③ PIPE STAKES



DRIVE PLUG
(CAST IRON)

DRIVE POINT
(CAST IRON)

The selection and use of this Standard Detail, while designed in accordance with generally accepted engineering principles and practices, is the sole responsibility of the user.



Bureau of Environmental Services
CITY OF PORTLAND, OREGON

Will Ryan
Chief Engineer

Standard Detail Title

**Metal Slope Anchors
For Pipe**

Note:
All material and workmanship shall be in accordance with the City of Portland Standard Construction Specifications.

Effective Date: 04-20-10

Calc. Book No.: N/A

Baseline Report Date: N/A

Standard Detail No.

P-104