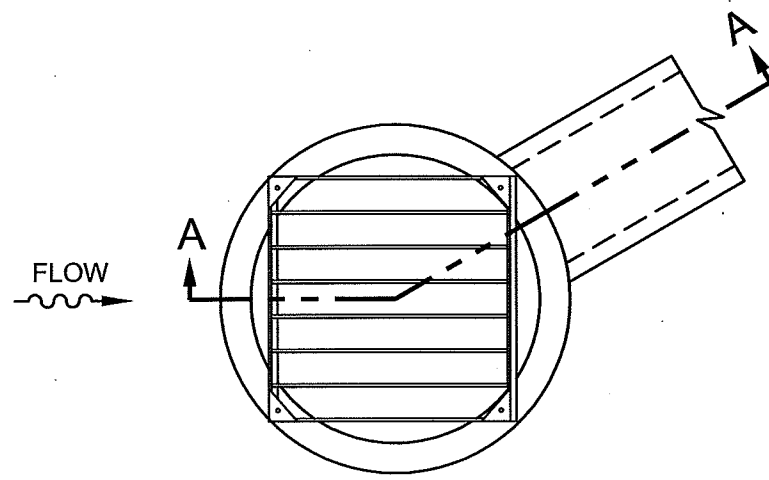
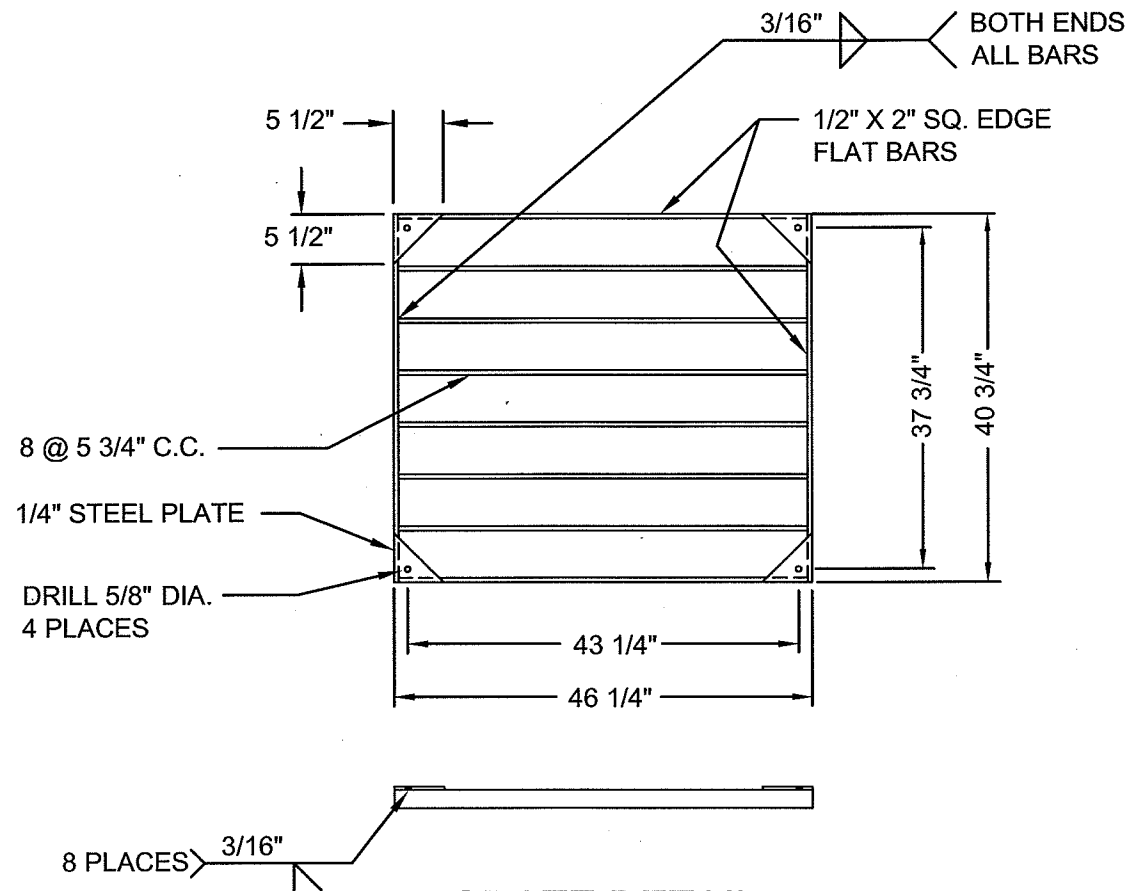


P-212_48-INCH_PRECAST_FIELD_INLET.DWG 4/6/09 6:34 PM RICKS



PLAN

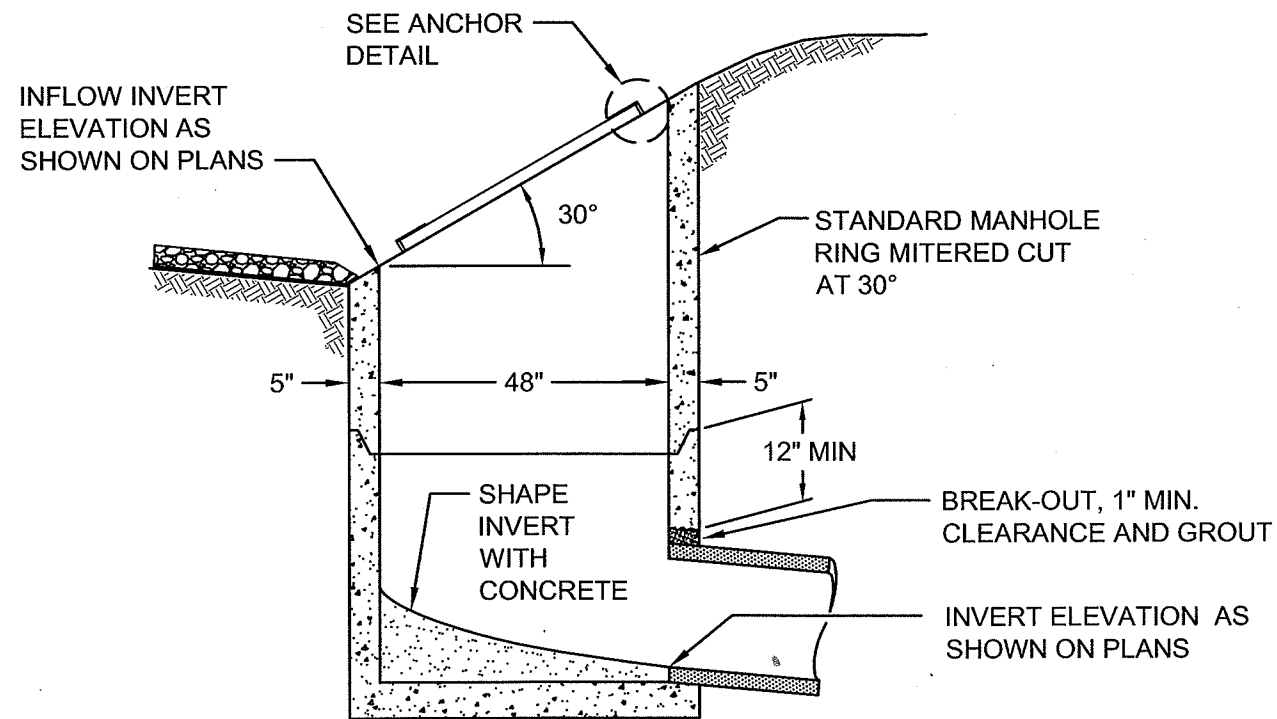


GRATE DETAIL

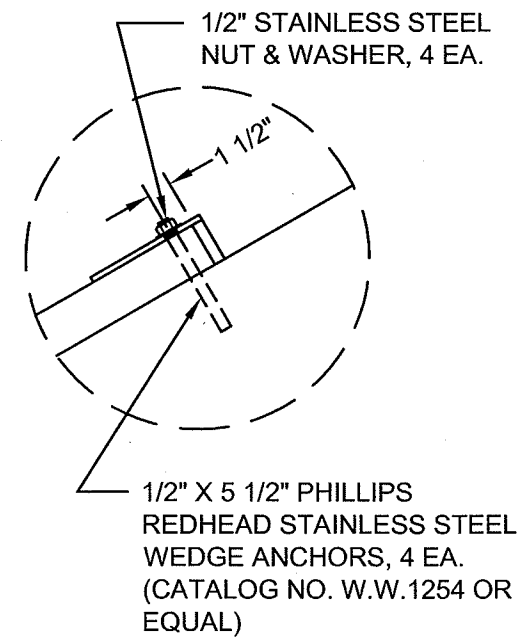
NOTE: MATERIAL TO BE NEW STRUCTURAL STEEL, ASTM A-36.

NOTES:

1. ALL PRECAST SECTIONS SHALL CONFORM TO THE REQUIREMENTS OF THE CITY OF PORTLAND MANUFACTURING STANDARDS FOR PRECAST CONCRETE PRODUCTS (MSPCP), AS REVISED.
2. CONCRETE SHALL BE COMMERCIAL GRADE.



SECTION A-A



ANCHOR DETAIL

<p>The selection and use of this Standard Detail, while designed in accordance with generally accepted engineering principles and practices, is the sole responsibility of the user.</p>	<p>Bureau of Environmental Services CITY OF PORTLAND, OREGON</p> <p><i>W. E. Ry</i> Chief Engineer</p>	
	<p>Standard Detail Title</p> <p>48" Precast Field Inlet</p>	
	<p>Note: All material and workmanship shall be in accordance with the City of Portland Standard Construction Specifications.</p>	<p>Effective Date: 01-01-09</p> <p>Calc. Book No.: N/A</p> <p>Baseline Report Date: N/A</p>