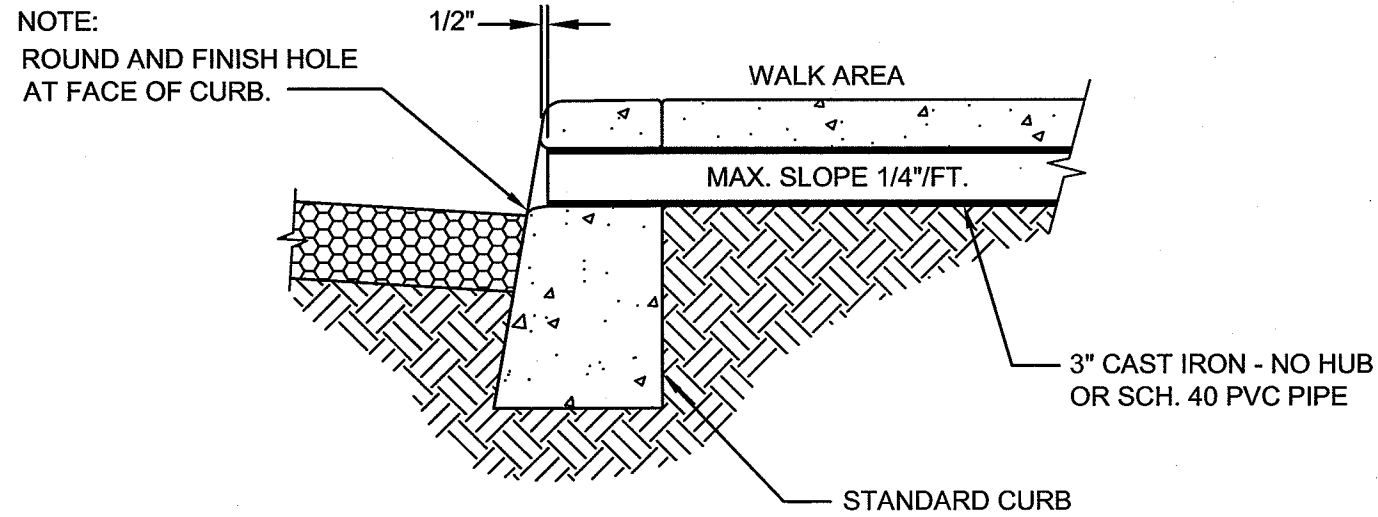
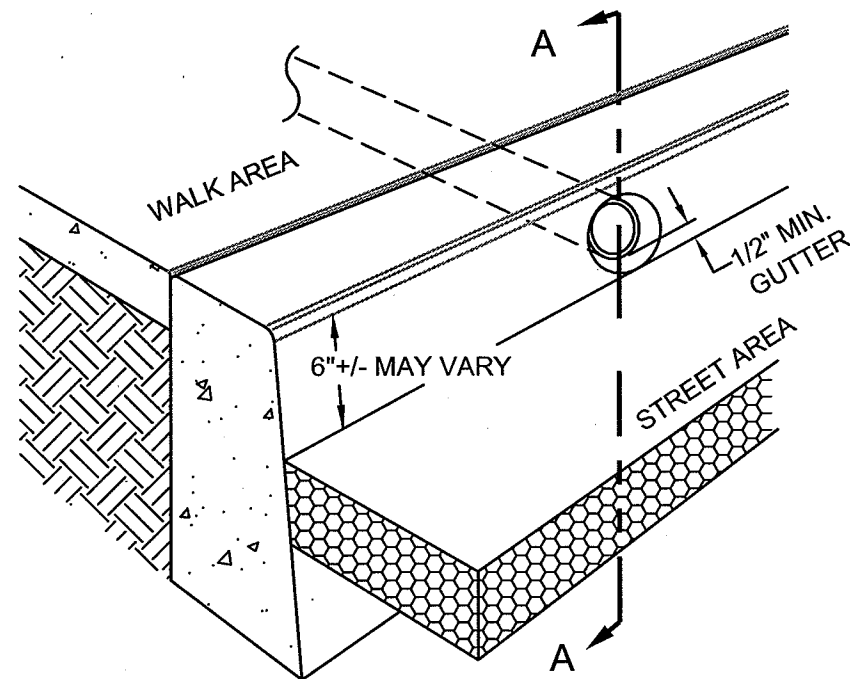


P-256_RAIN_DRAIN_TO_GUTTER.DWG 4/6/09 6:43 PM RICKS




SECTION A-A



NOTES:

1. FIELD CHECK REQUIRED PRIOR TO ISSUANCE OF PERMIT.
2. FOR INSTALLATION IN EXISTING CURB MAKE NEAT DRILL HOLE. FINISH TO MATCH EXISTING CURB. AVOID EXPANSION JOINTS.
3. RAIN DRAIN TO GUTTER PERMITTED ONLY IN STREETS WITH HARD SURFACE OR OILED GRAVEL WITH DRAINAGE TO A CITY STORM SEWER.
4. ALL RAIN DRAIN HOLES SHALL BE NEATLY DRILLED OR CORED.

<p>The selection and use of this Standard Detail, while designed in accordance with generally accepted engineering principles and practices, is the sole responsibility of the user.</p>	 <p>Bureau of Environmental Services CITY OF PORTLAND, OREGON</p> <p><i>Walter F. Ryan</i> Chief Engineer</p>	
	<p>Standard Detail Title</p> <p style="text-align: center;">Rain Drain to Gutter</p>	
<p>Note: All material and workmanship shall be in accordance with the City of Portland Standard Construction Specifications.</p>	<p>Effective Date: 01-01-09</p>	<p>Standard Detail No.</p> <p style="text-align: center; font-size: 1.2em;">P-256</p>
	<p>Calc. Book No.: N/A</p>	
	<p>Baseline Report Date: N/A</p>	