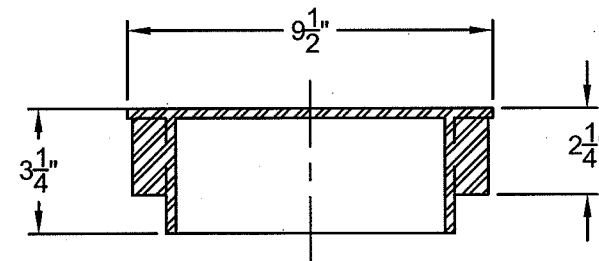


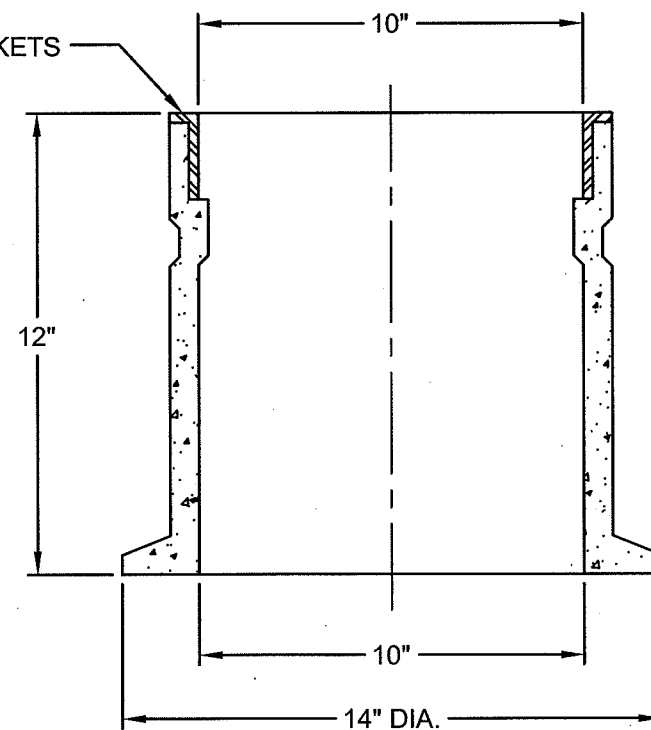
PLAN



SECTION A-A

COVER


CAST IRON RING  
WITH LIFTING SOCKETS



BODY

NOTES:

1. BROOKS PRODUCTS ROUND TRAFFIC VALVE BOX (MODEL 3-RT) WITH BOLT DOWN STYLE CAST IRON COVER OR EQUAL.
2. CAST COVER WITH THE WORD "SEWER" AS SHOWN ABOVE.

<p>The selection and use of this Standard Detail, while designed in accordance with generally accepted engineering principles and practices, is the sole responsibility of the user.</p>	 <p>Bureau of Environmental Services CITY OF PORTLAND, OREGON</p> <p><i>William F. Ry...</i> Chief Engineer</p>	
	<p>Standard Detail Title</p> <p align="center"><b>Sanitary Cleanout Frame and Cover - Landscape</b></p>	
<p>Note: All material and workmanship shall be in accordance with the City of Portland Standard Construction Specifications.</p>	<p>Effective Date: 01-01-09</p>	<p>Standard Detail No.</p> <p align="center"><b>P-261</b></p>
	<p>Calc. Book No.: N/A</p>	
	<p>Baseline Report Date: N/A</p>	