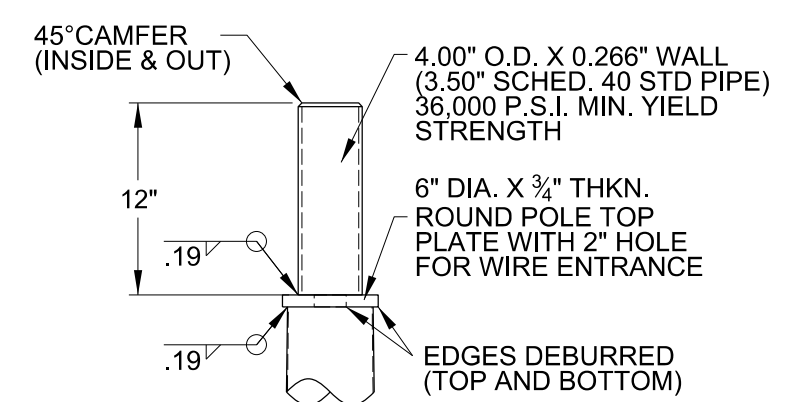
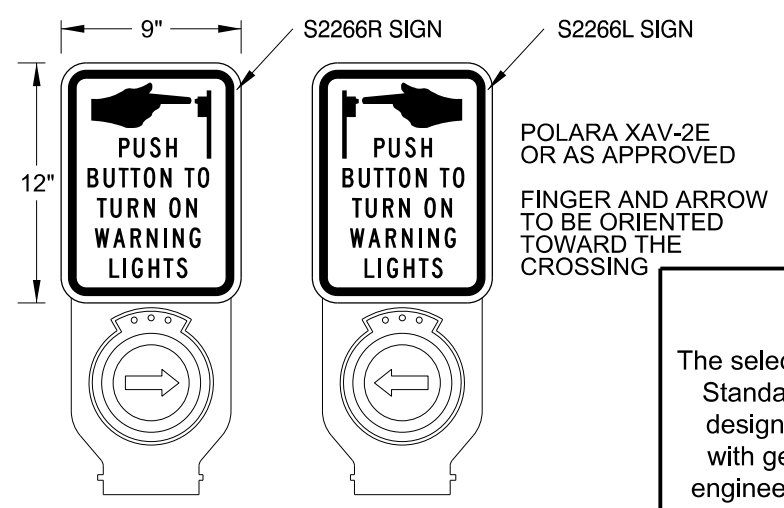


BASE PLATE AND WELD DETAIL

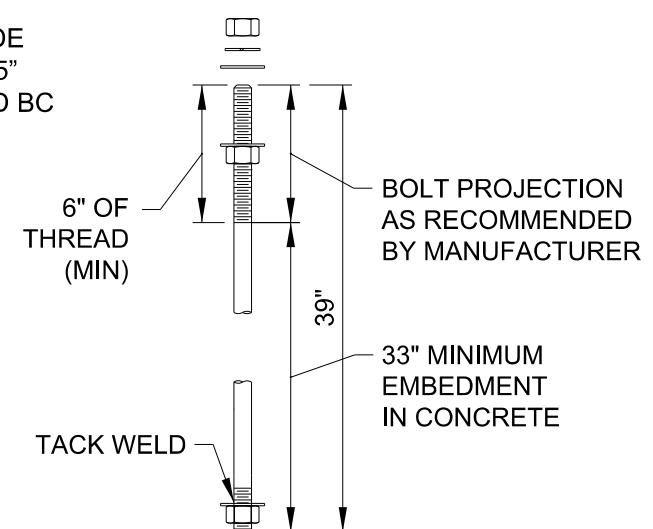


POLE TOP TENON DETAIL



AUDIBLE PUSH BUTTON SIGN DETAIL

(NOT TO SCALE)



- (4) 1" GALV. STL. ANCHOR BOLTS F1554 GRADE 36
- (12) 1" GALV. STL. HEX NUTS
- (4) 1" GALV. STL. LOCKWASHERS
- (12) 1" GALV. STL. FLATWASHERS

ANCHOR BOLT DETAIL

ASSEMBLY INSTRUCTIONS:

1. POSITION HANDHOLE OF POLE ON SIDE OPPOSITE APPROACHING TRAFFIC, THEN SET AND PLUMB POLE USING LEVELING NUTS UNDER BASE PLATE. SECURE WITH ONE NUT AND WASHER PER BOLT.
2. FINAL FINISH SHOULD BE PER SPECIFICATIONS OR PLANS.

The selection and use of this Standard Drawing, while designed in accordance with generally accepted engineering principles and practices, is the sole responsibility of the user.	PORTLAND BUREAU OF TRANSPORTATION City Engineer	
	Standard Drawing Title POST TOP LUMINAIRE POLE WITH RAPID FLASH BEACON	
Note: All material and workmanship shall be in accordance with the City of Portland Standard Construction Specifications.	Effective Date: 01-08-2019	Standard Drawing No.
	Calc. Book No.: n/a	P-641
	Std. Drg. Report Date: 01-08-2019	