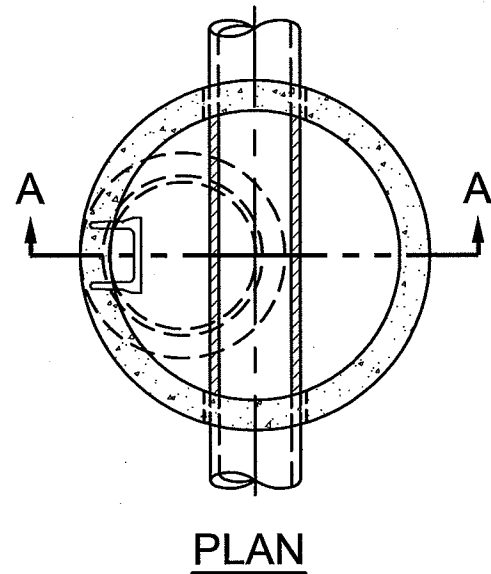
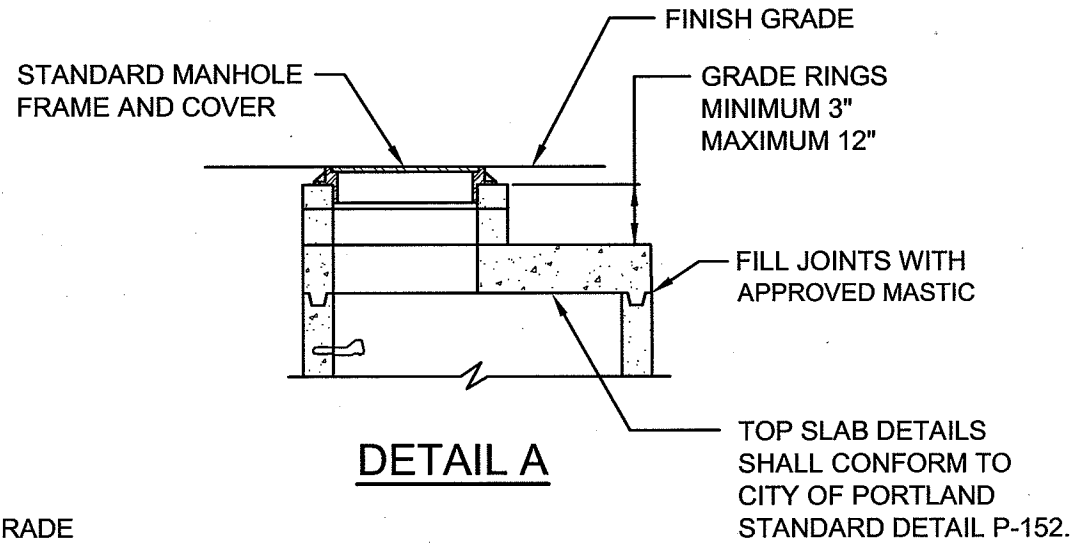


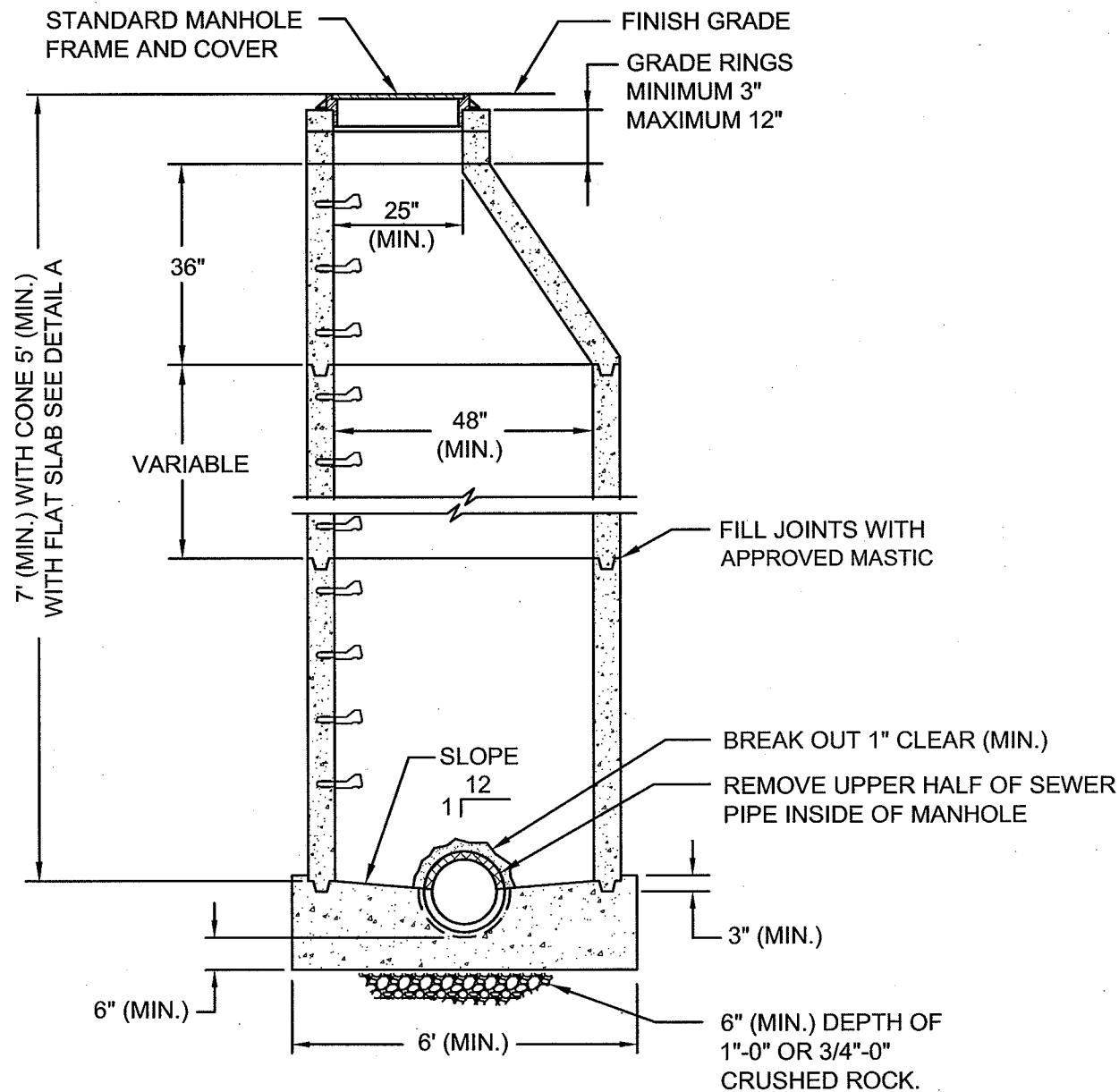
P-164\_SAMPLING\_MANHOLE.DWG 4/7/09 8:43 AM RICKS



**PLAN**




**DETAIL A**



**SECTION A-A**

**NOTES:**

1. ALL PRECAST SECTIONS SHALL CONFORM TO THE REQUIREMENTS OF THE CITY OF PORTLAND MANUFACTURING STANDARDS FOR PRECAST CONCRETE PRODUCTS (MSPCP), AS REVISED.
2. MANHOLE STEPS – REFER TO THE STANDARD DETAIL P-168.
3. PROVIDE A FLEXIBLE JOINT FOR ALL CONNECTED PIPES:
  - RIGID PIPE < 36 INCHES – 18 INCHES (MAX.) FROM OUTSIDE WALL
  - FLEXIBLE PIPE – 18 INCHES (MAX.) FROM THE OUTSIDE WALL UNLESS A FLEXIBLE JOINT FITTING IS INSTALLED AND ACCEPTED.

The selection and use of this Standard Detail, while designed in accordance with generally accepted engineering principles and practices, is the sole responsibility of the user.	Bureau of Environmental Services CITY OF PORTLAND, OREGON  Chief Engineer	
	Standard Detail Title  Sampling Manhole	
Note: All material and workmanship shall be in accordance with the City of Portland Standard Construction Specifications.	Effective Date: 01-01-09	Standard Detail No.  <b>P-164</b>
	Calc. Book No.: N/A	
	Baseline Report Date: N/A	