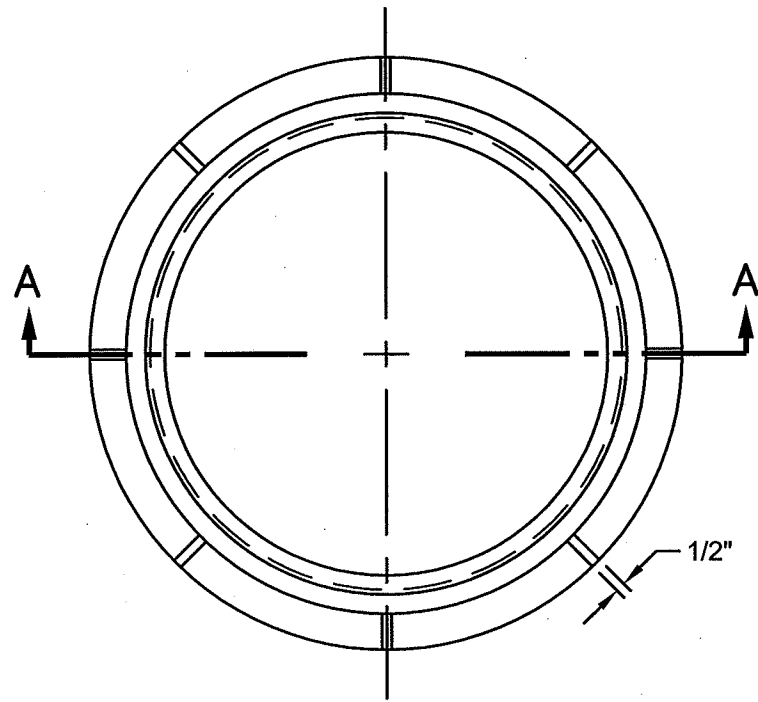
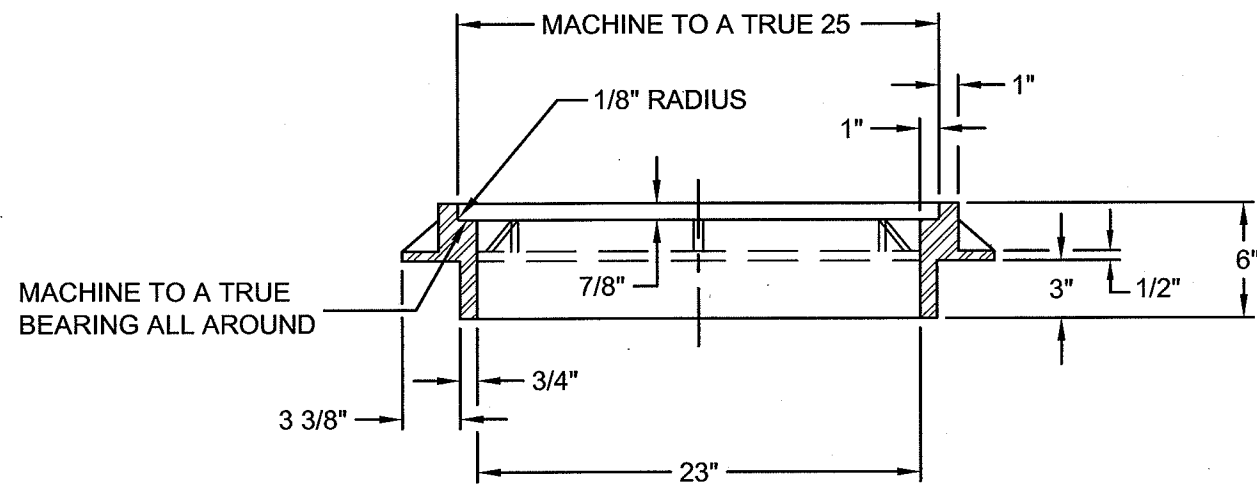


P-171\_MH\_FRAME\_6-INCH\_DEPTH.DWG 4/6/09 6:02 PM RICKS




TOP VIEW



SECTION A-A

NOTE: MATERIAL TO BE GRAY CAST IRON ASTM A-48, CLASS 30 WEIGHT APPROX. 172 LBS.

<p>The selection and use of this Standard Detail, while designed in accordance with generally accepted engineering principles and practices, is the sole responsibility of the user.</p>	 <p>Bureau of Environmental Services CITY OF PORTLAND, OREGON</p> <p><i>Walter Fly</i> Chief Engineer</p>	
	<p>Standard Detail Title</p> <p><b>Manhole Frame - 6 Inch Depth</b></p>	
	<p>Note: All material and workmanship shall be in accordance with the City of Portland Standard Construction Specifications.</p>	<p>Effective Date: 01-01-09</p> <p>Calc. Book No.: N/A</p> <p>Baseline Report Date: N/A</p>