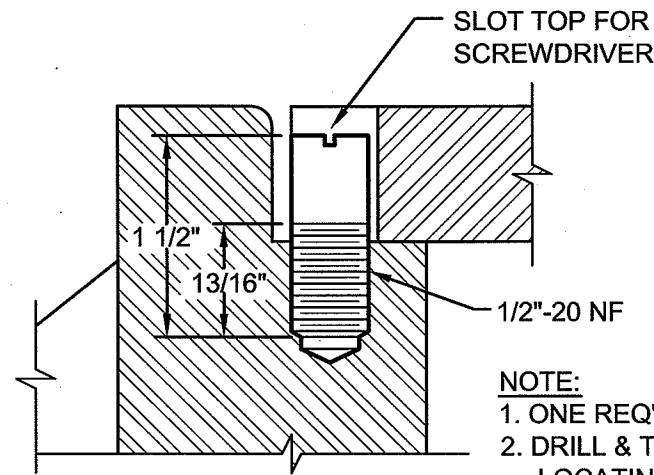
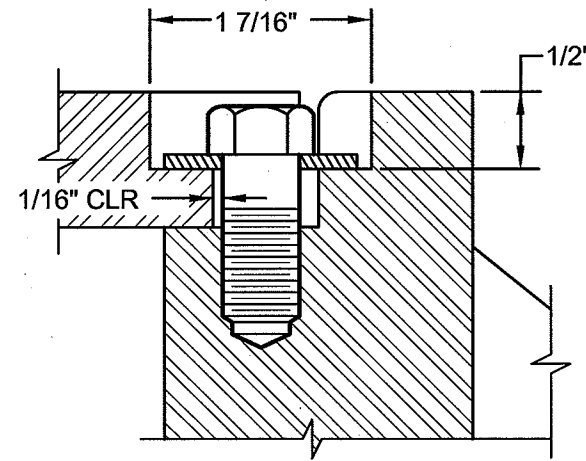


P-179_TAMPERPROOF_MH_FRAME_COVER_6-INCH.DWG 4/6/09 6:10 PM RICKS

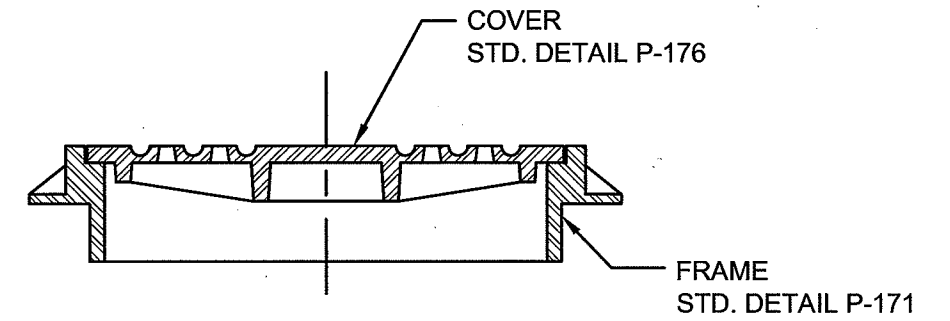


NOTE:
 1. ONE REQ'D PER COVER.
 2. DRILL & TAP FRAME FOR LOCATING STUD.

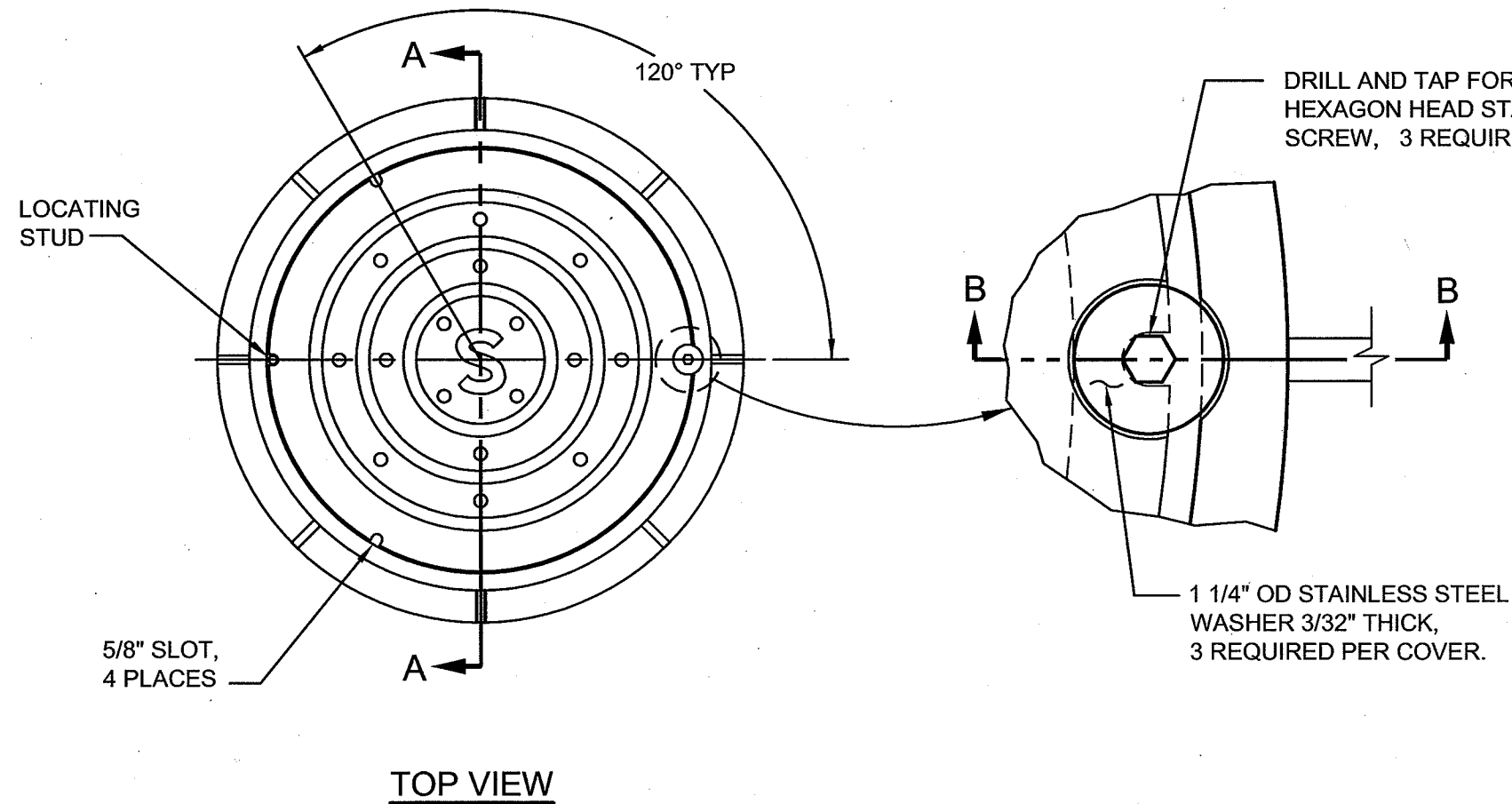
LOCATING STUD



SECTION B-B



SECTION A-A



TOP VIEW

The selection and use of this Standard Detail, while designed in accordance with generally accepted engineering principles and practices, is the sole responsibility of the user.

Note:
 All material and workmanship shall be in accordance with the City of Portland Standard Construction Specifications.



Bureau of Environmental Services
 CITY OF PORTLAND, OREGON

Walter F. ...
 Chief Engineer

Standard Detail Title

Tamperproof Manhole
 Frame & Cover
 6 Inch Depth

Effective Date: 01-01-09

Calc. Book No.: N/A

Baseline Report Date: N/A

Standard Detail No.

P-179