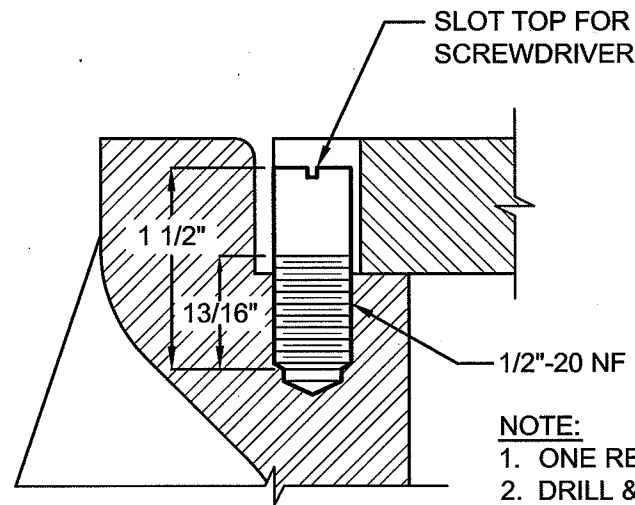
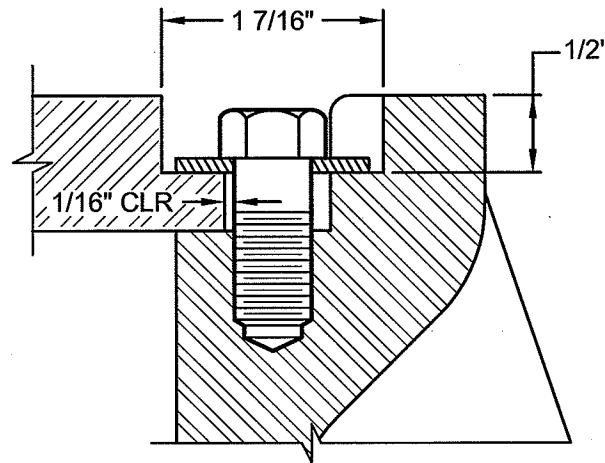


P-180_TAMPERPROOF_MH_FRAME_COVER_10-INCH.DWG 4/6/09 6:17 PM RICKS

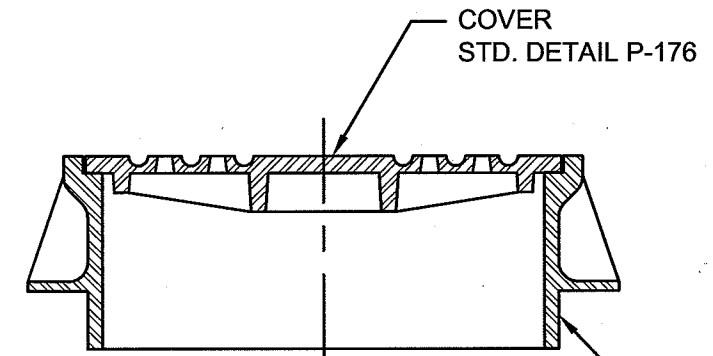


LOCATING STUD

NOTE:
 1. ONE REQ'D PER COVER.
 2. DRILL & TAP FRAME FOR LOCATING STUD.

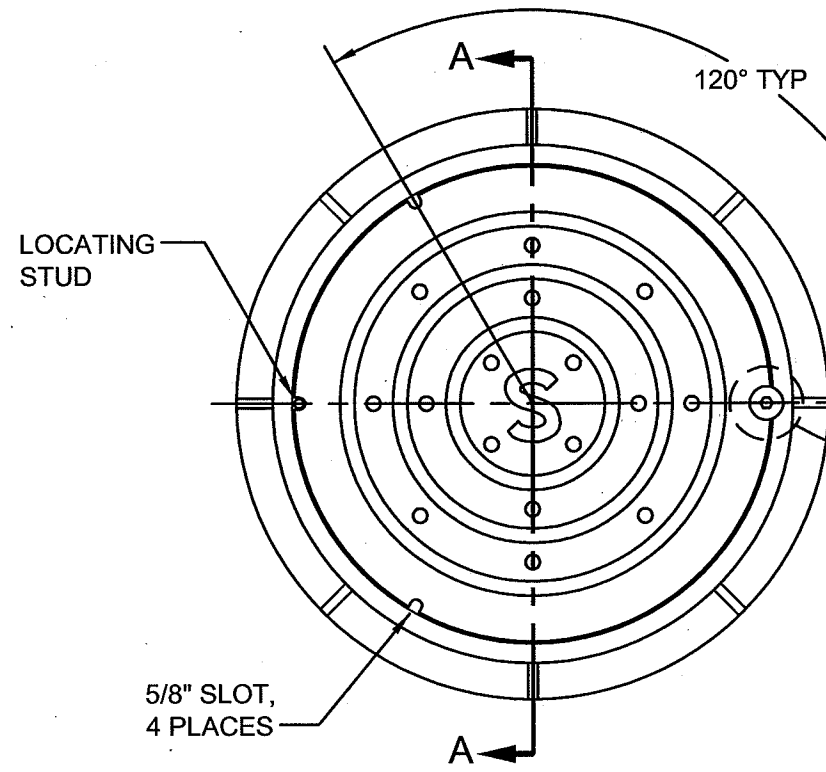


SECTION B-B

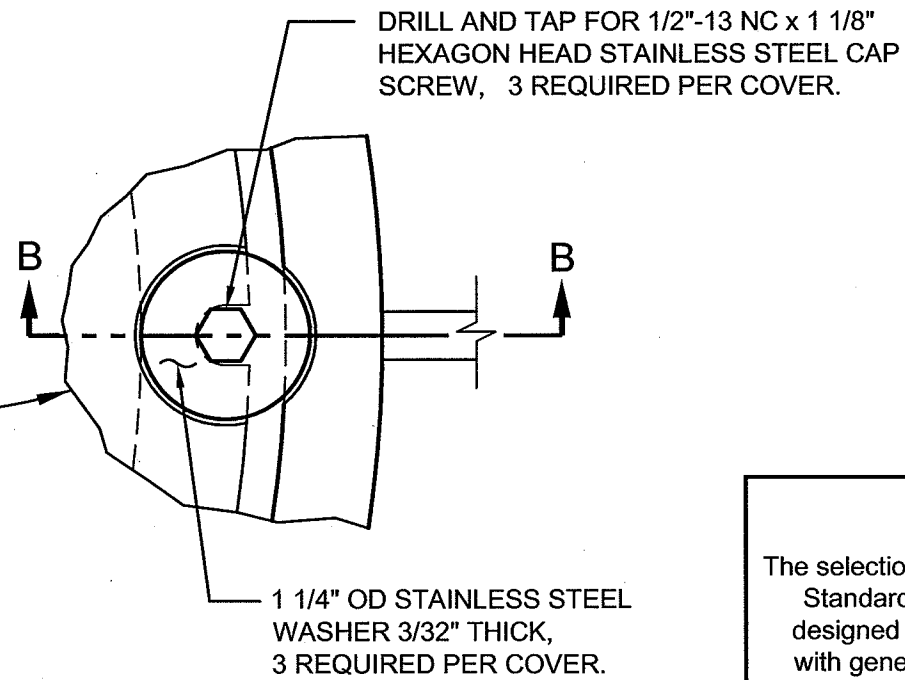


SECTION A-A



COVER
 STD. DETAIL P-176
 FRAME
 SEE STD. DETAIL P-172
 FOR ADDITIONAL
 DIMENSIONING



TOP VIEW



1 1/4" OD STAINLESS STEEL
 WASHER 3/32" THICK,
 3 REQUIRED PER COVER.

<p>The selection and use of this Standard Detail, while designed in accordance with generally accepted engineering principles and practices, is the sole responsibility of the user.</p>	 Bureau of Environmental Services CITY OF PORTLAND, OREGON  Chief Engineer	
	Standard Detail Title <p style="text-align: center;">Tamperproof Manhole Frame & Cover 10 Inch Depth</p>	
	Effective Date: 01-01-09 Calc. Book No.: N/A Baseline Report Date: N/A	Standard Detail No. <p style="text-align: center;">P-180</p>