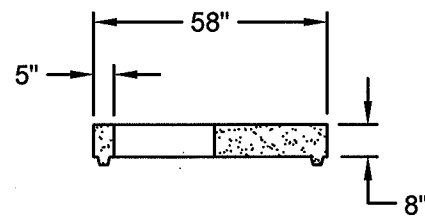
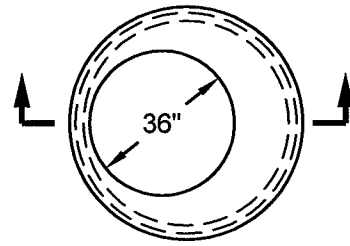


TOP SLAB "A"

- FOR USE WITH 48" MANHOLES OR RISER SECTIONS AND STANDARD 24" MANHOLE FRAME.
- COVER DEPTH LESS THAN 15 INCHES.

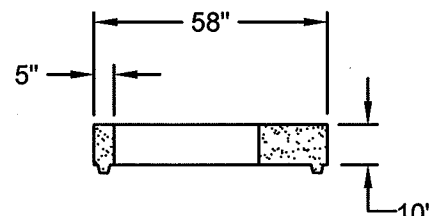


SECTION

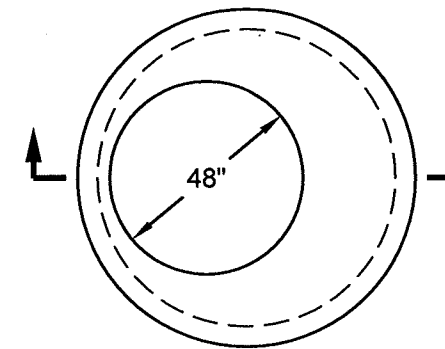


TOP SLAB "C"

- FOR USE WITH 48" MANHOLES OR RISER SECTIONS AND STANDARD 36" MANHOLE FRAME.
- COVER DEPTH LESS THAN 22 INCHES.

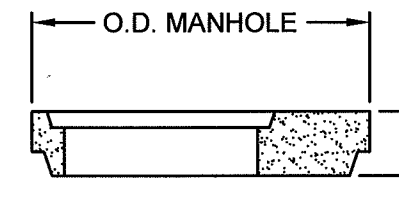


SECTION

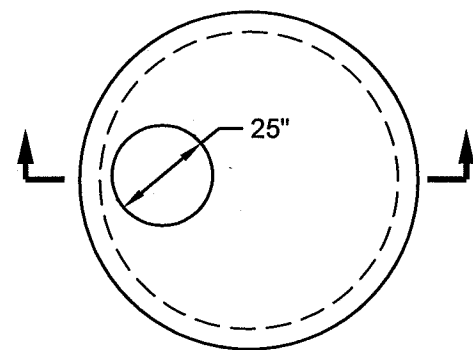


**TOP SLAB "E"
(REDUCING SLAB)**

- FOR USE WITH 60" - 144" MANHOLES AND 48" RISER OR CONE SECTIONS.
- COVER DEPTH 42" TO 22'.

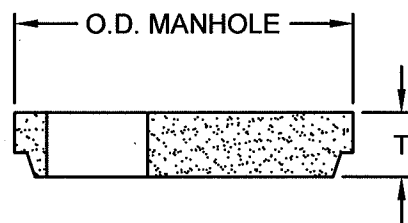


SECTION

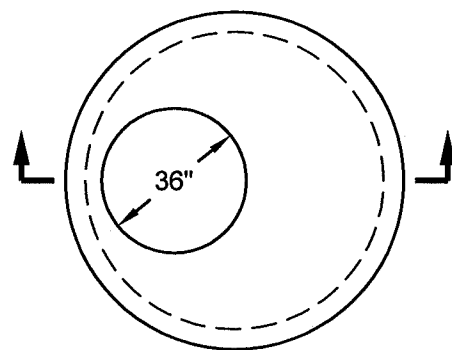


TOP SLAB "B"

- FOR USE WITH 60" - 96" MANHOLES AND STANDARD 24" MANHOLE FRAME.
- COVER DEPTH LESS THAN 22 INCHES.

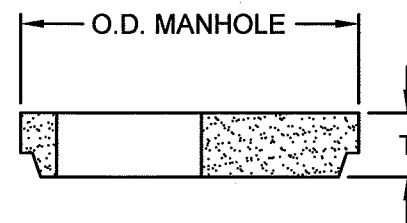


SECTION



TOP SLAB "D"

- FOR USE WITH 60" - 144" MANHOLES AND STANDARD 36" MANHOLE FRAME.
- COVER DEPTH LESS THAN 22 INCHES.



SECTION

NOTES:

1. ALL PRECAST CONCRETE SHALL CONFORM TO THE REQUIREMENTS OF THE CITY OF PORTLAND MANUFACTURING STANDARDS FOR PRECAST CONCRETE PRODUCTS (MSPCP), AS REVISED.
2. FOR EACH TOP SLAB, REFER TO MSPCP FOR COMPLETE SIZE AND REINFORCEMENT DETAILS.
3. ALL TOP SLABS SHALL HAVE KEYED OR BELL & SPIGOT JOINTS AND SHALL USE PREFORMED PLASTIC SEALS (MASTIC) OR PREFORMED RUBBER GASKET SEALS ACCORDING TO THE MANUFACTURER'S SPECIFICATIONS.

The selection and use of this Standard Drawing, while designed in accordance with generally accepted engineering principles and practices, is the sole responsibility of the user.



Bureau of Environmental Services
CITY OF PORTLAND, OREGON

Walter Flynn
Chief Engineer

Standard Drawing Title

Top Slabs for
Precast Concrete Manholes

Note:
All material and workmanship shall be in accordance with the City of Portland Standard Construction Specifications.

Effective Date: 01-01-09

Calc. Book No.: 001

Baseline Report Date: 03-24-09

Standard Drawing No.

P-152