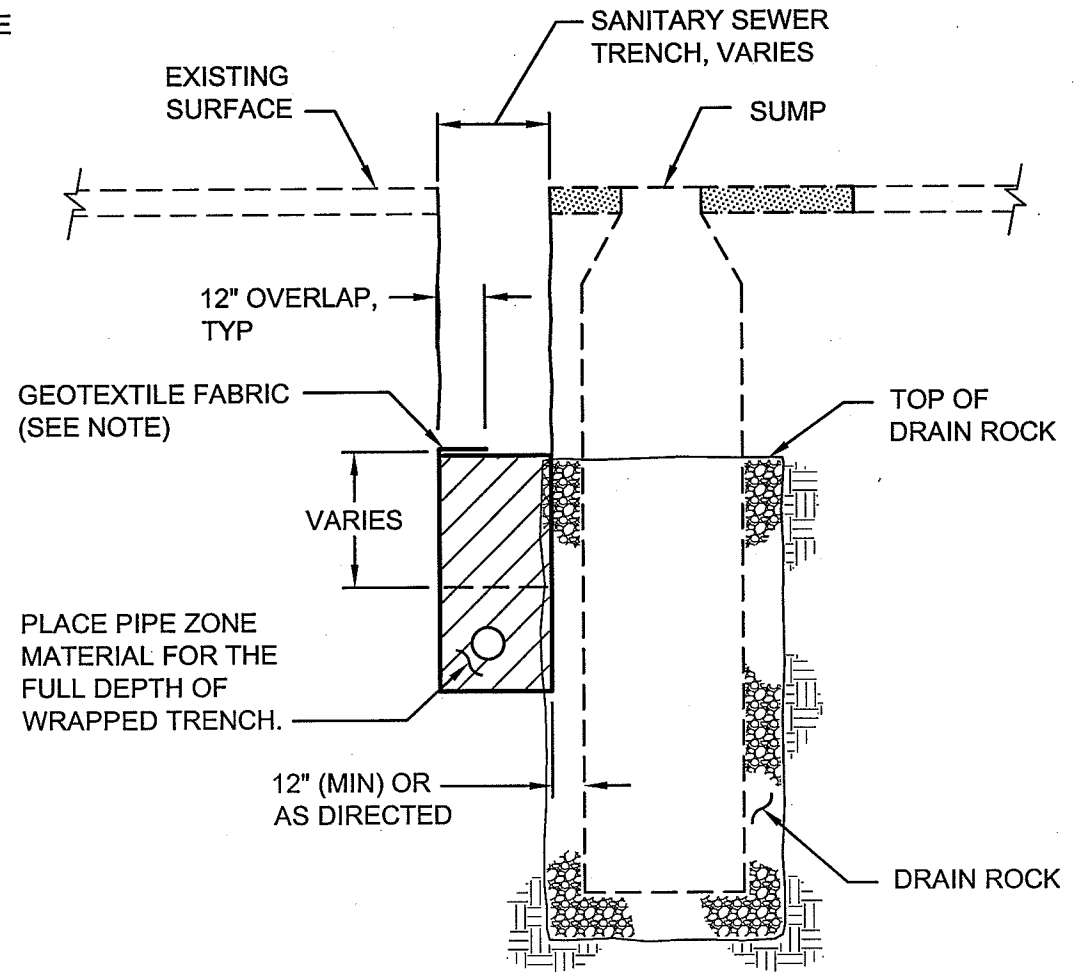
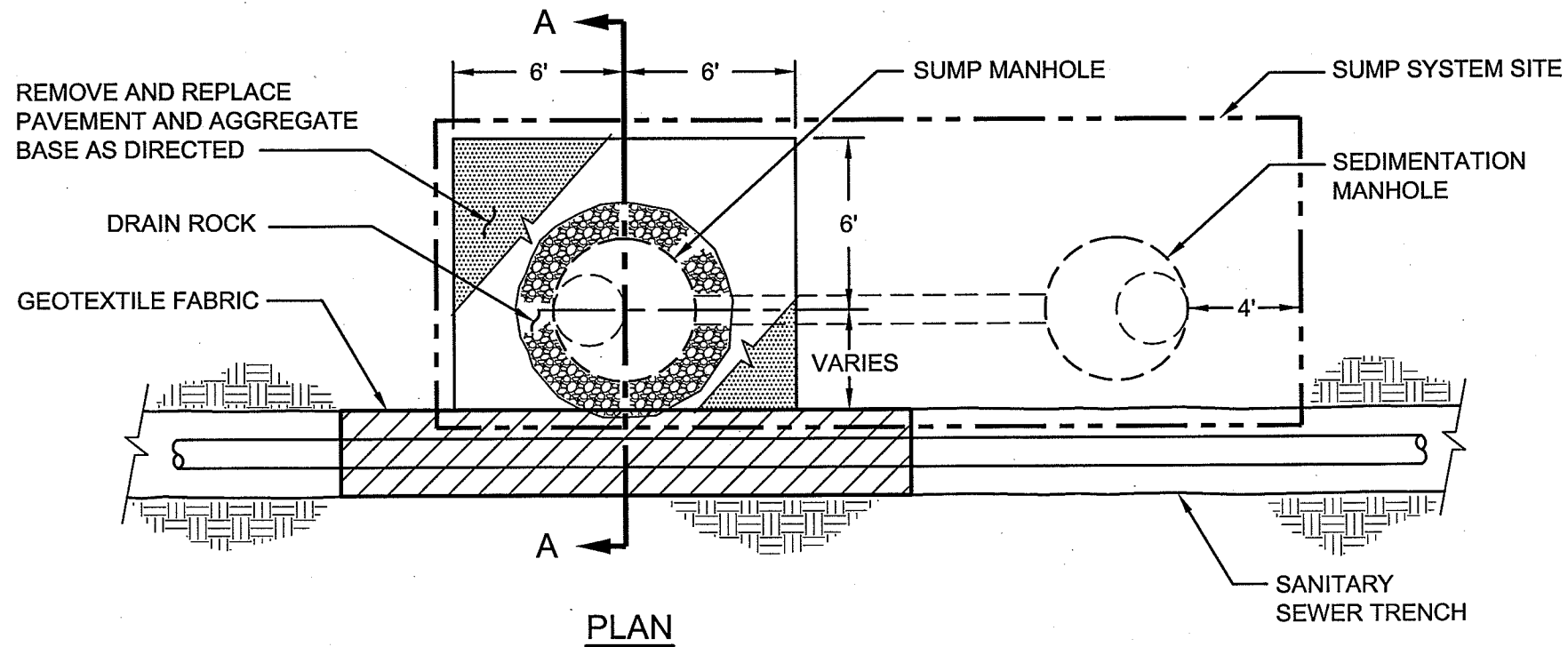
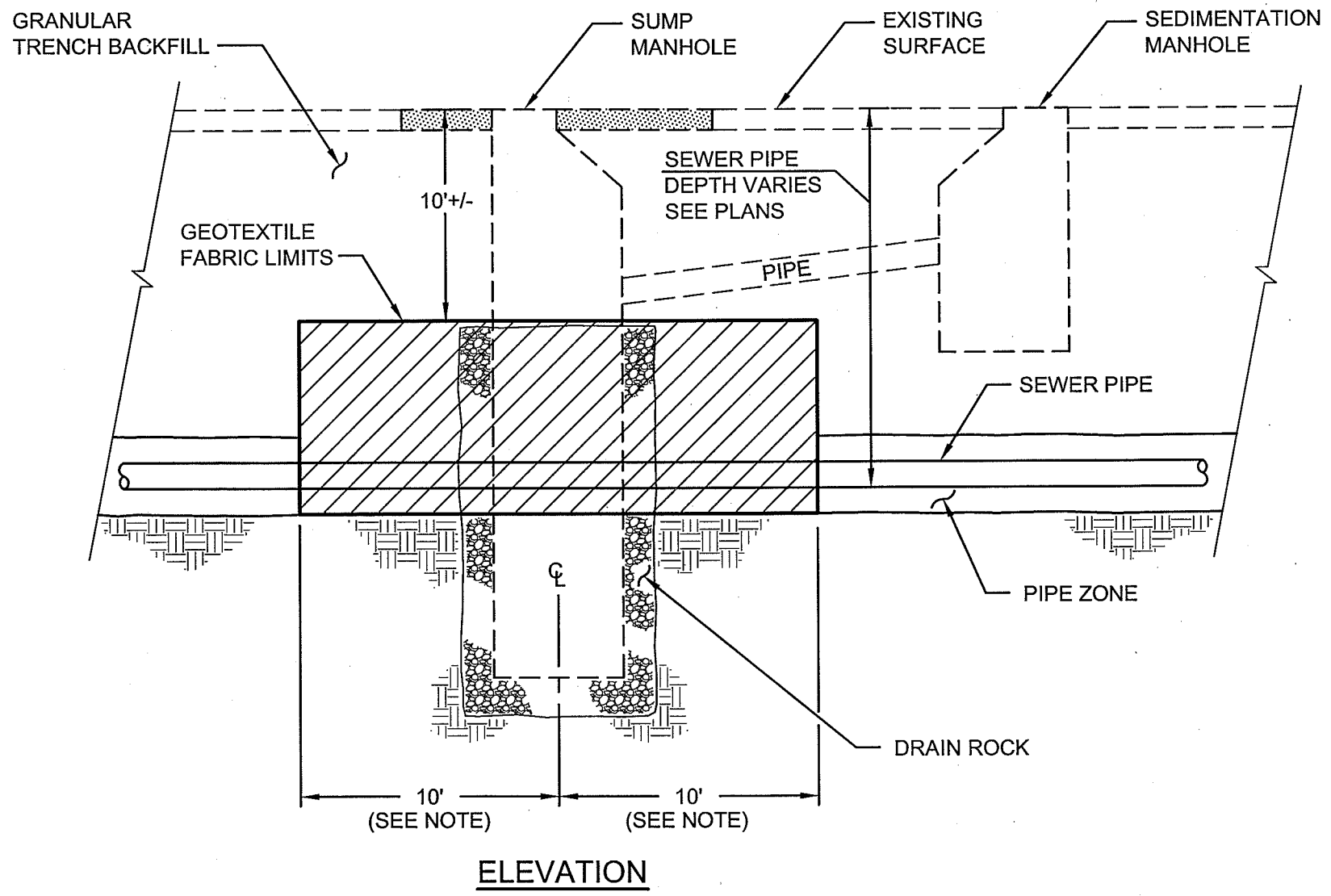



P-165_SUMP_SYSTEM_REMEDIATION.DWG 6/16/10 5:12 PM RICKS



NOTE:
INSTALL GEOTEXTILE FABRIC AS SHOWN TO SEPARATE BEDDING AND TRENCH BACKFILL FROM SUMP DRAIN ROCK.



<p>The selection and use of this Standard Detail, while designed in accordance with generally accepted engineering principles and practices, is the sole responsibility of the user.</p>	 <p>Bureau of Environmental Services CITY OF PORTLAND, OREGON</p> <p><i>Will By</i> 6/17/10 Chief Engineer</p>	
	<p>Standard Detail Title</p> <p>Sump System Remediation Plan</p>	
	<p>Effective Date: 06-21-10</p> <p>Calc. Book No.: N/A</p> <p>Baseline Report Date: N/A</p>	<p>Standard Detail No.</p> <p>P-165</p>

Note:
All material and workmanship shall be in accordance with the City of Portland Standard Construction Specifications.