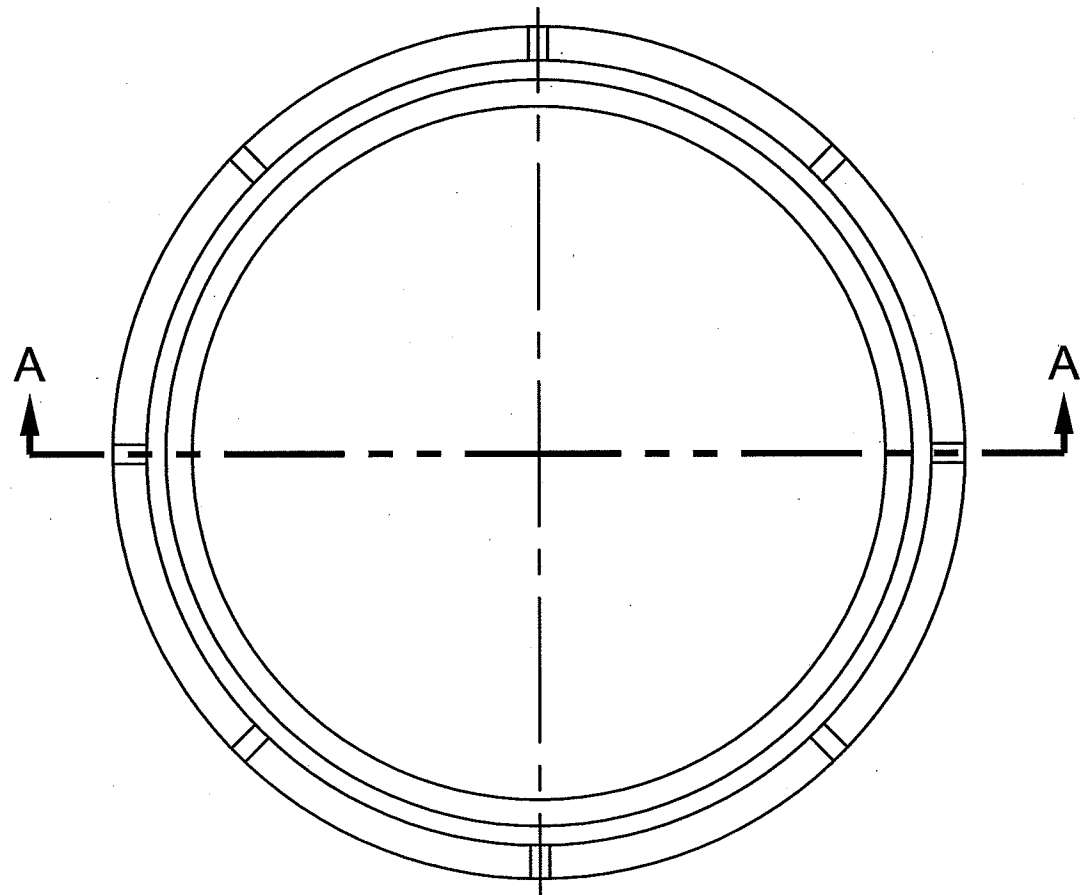
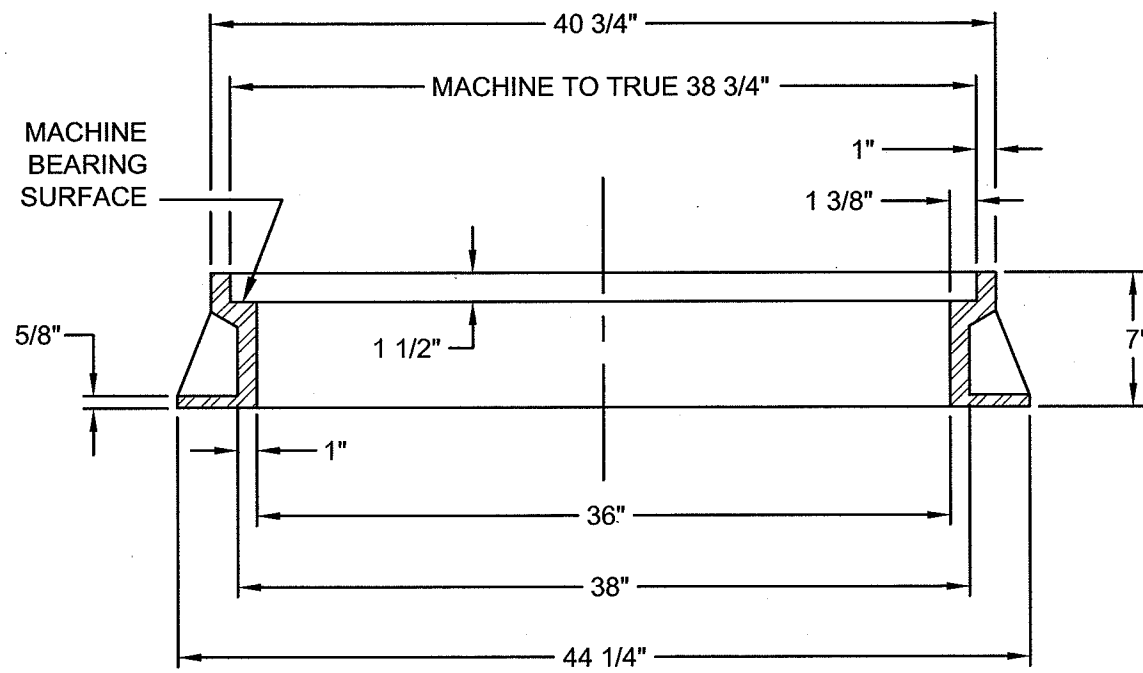


P-173_36-INCH_MANHOLE_FRAME.DWG 4/6/09 6:03 PM RICKS




TOP VIEW



SECTION A-A

NOTES:

1. EACH CASTING SHALL BE STAMPED WITH MANUFACTURE'S INITIALS, HEAT NUMBER, AND YEAR OF THE CAST.
2. TOLERANCE ON NON-MACHINED SURFACES TO BE $\pm 1/16"$.
3. APPROX. WT. = 375 LBS. MATERIAL TO BE DUCTILE IRON, ASTM A-48, CLASS 30.

<p>The selection and use of this Standard Detail, while designed in accordance with generally accepted engineering principles and practices, is the sole responsibility of the user.</p>	 <p>Bureau of Environmental Services CITY OF PORTLAND, OREGON</p> <p><i>Walt Fry</i> Chief Engineer</p>	
	<p>Standard Detail Title</p> <p style="text-align: center;">36 Inch Manhole Frame</p>	
<p>Note: All material and workmanship shall be in accordance with the City of Portland Standard Construction Specifications.</p>	<p>Effective Date: 01-01-09</p>	<p>Standard Detail No.</p> <p style="text-align: center; font-size: 1.2em;">P-173</p>
	<p>Calc. Book No.: N/A</p>	
	<p>Baseline Report Date: N/A</p>	