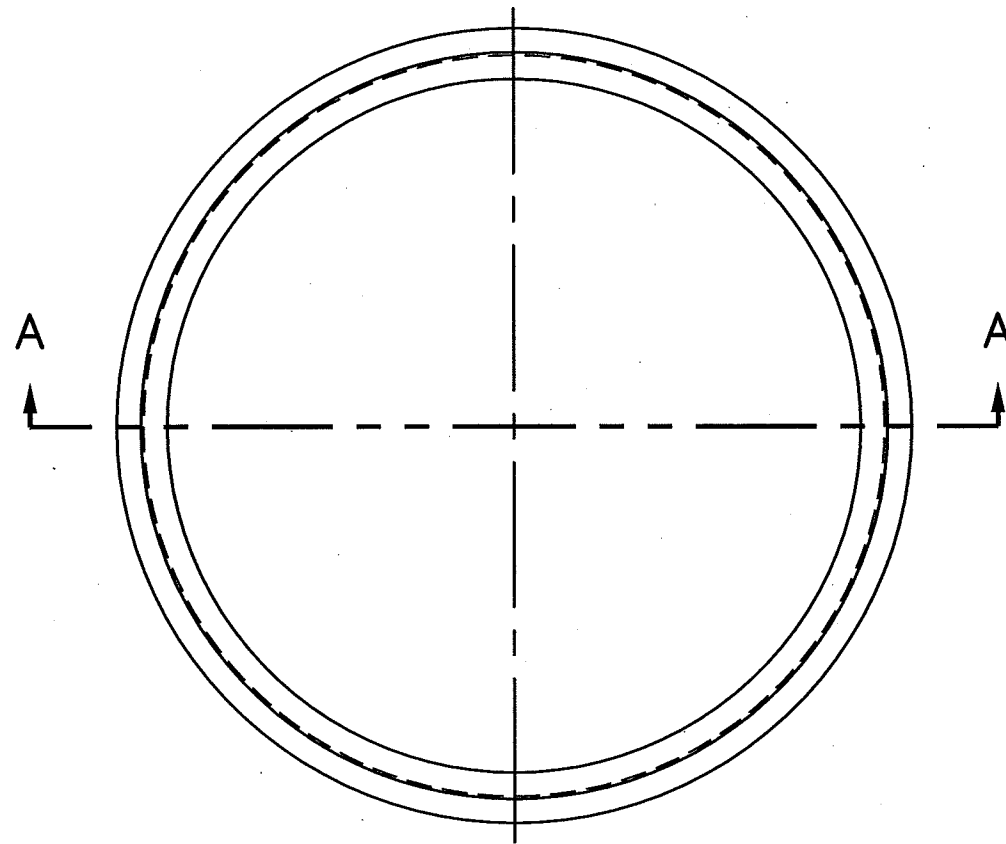
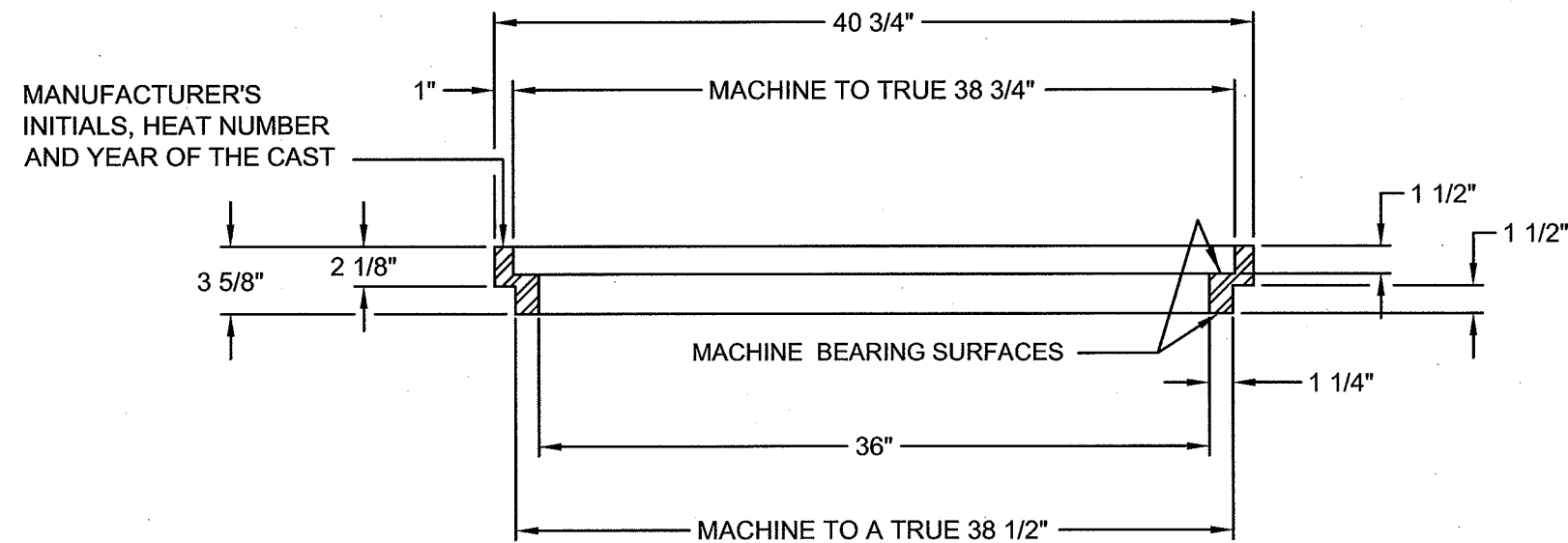


P-175_36-INCH_MH_RISER_RING.DWG 4/6/09 6:05 PM RICKS




TOP VIEW



SECTION A-A

NOTES:

1. MATERIAL TO BE GREY CAST IRON ASTM A-48, CLASS 30. APPROXIMATE WT. = 212 LBS.
2. TOLERANCE ON NON-MACHINED SURFACES TO BE $\pm 1/16$ ".

<p>The selection and use of this Standard Detail, while designed in accordance with generally accepted engineering principles and practices, is the sole responsibility of the user.</p>	 <p>Bureau of Environmental Services CITY OF PORTLAND, OREGON</p> <p><i>William Fly</i> Chief Engineer</p>	
	<p>Standard Detail Title</p> <p style="text-align: center;">36 Inch Manhole Riser Ring</p>	
<p>Note: All material and workmanship shall be in accordance with the City of Portland Standard Construction Specifications.</p>	<p>Effective Date: 01-01-09</p>	<p>Standard Detail No.</p> <p style="text-align: center;">P-175</p>
	<p>Calc. Book No.: N/A</p>	
	<p>Baseline Report Date: N/A</p>	