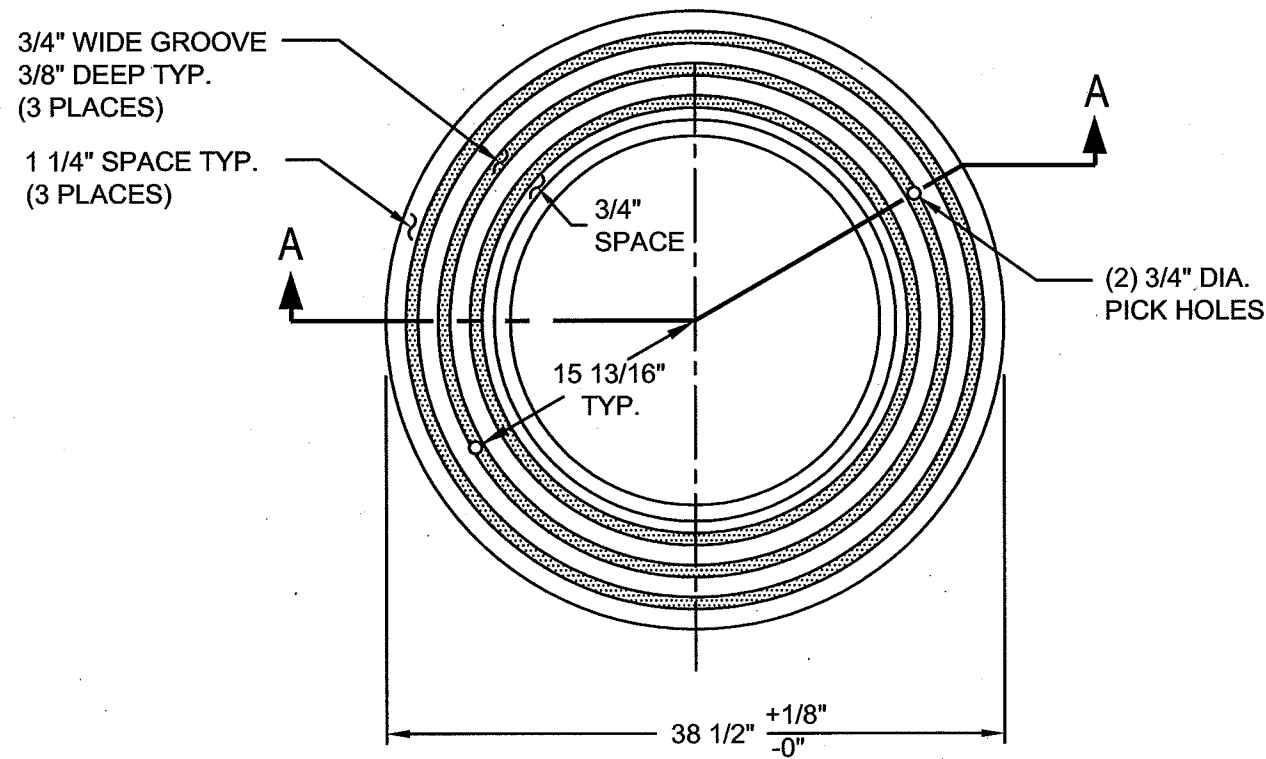
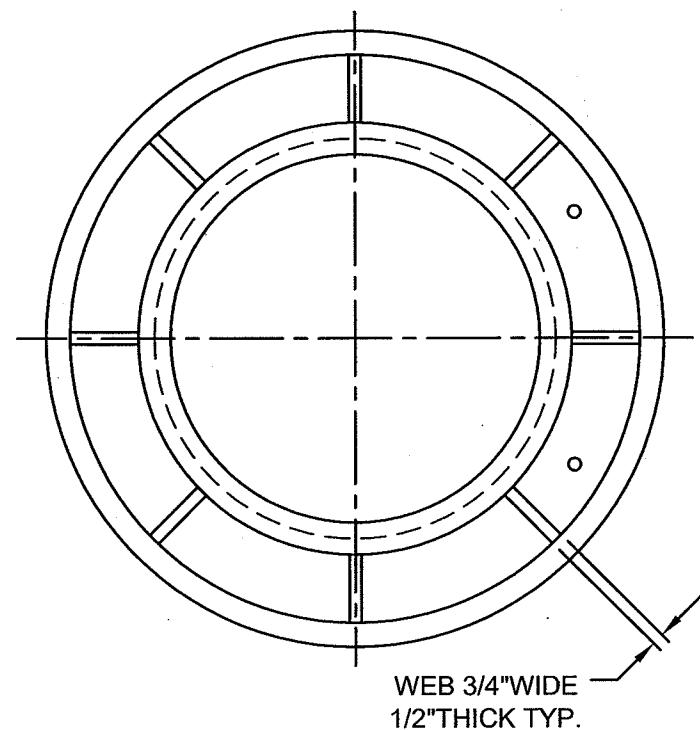


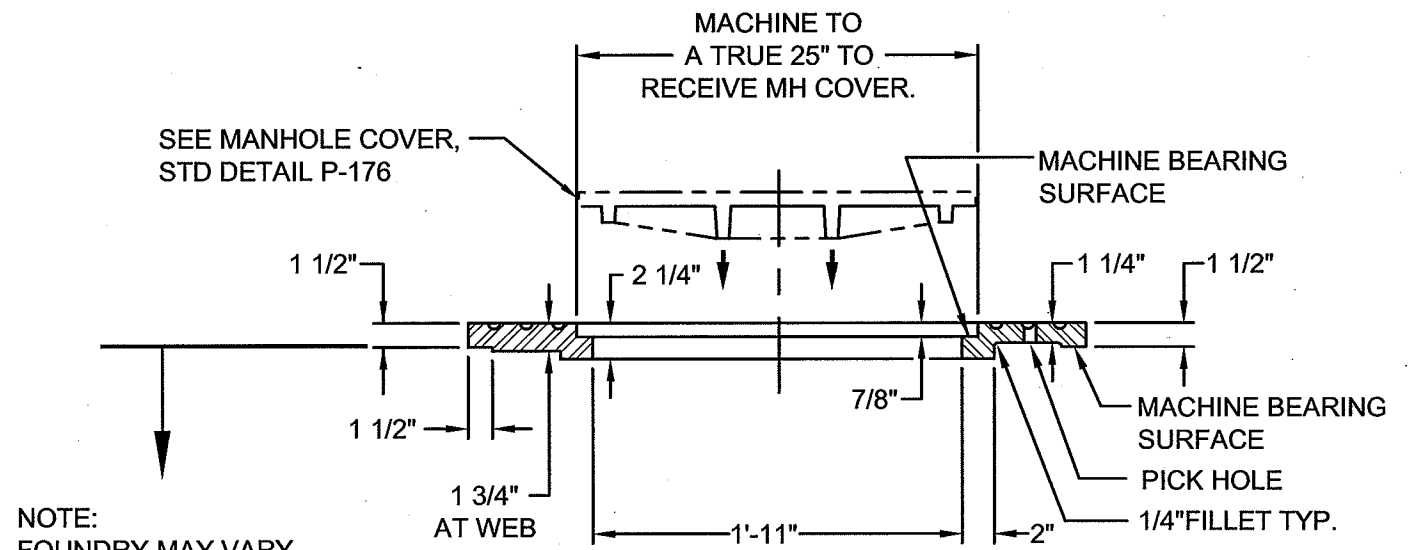
P-178_36-INCH_MH_DOUBLE_COVER.DWG 4/6/09 6:09 PM RICKS



TOP VIEW



HALF BOTTOM VIEW


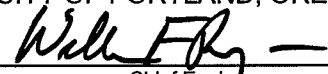


NOTE:
FOUNDRY MAY VARY
UNDERSTRUCTURE DESIGN
AND DIMENSIONS SUBJECT TO
APPROVAL OF DESIGN AND
TESTING BY BES.

SECTION A-A

NOTES:

1. EACH CASTING SHALL BE STAMPED WITH MANUFACTURE'S INITIALS, HEAT NUMBER, AND YEAR OF THE CAST.
2. TOLERANCE ON NON-MACHINED SURFACES TO BE $\pm 1/16$ ".
3. APPROX. WT = 260 LBS. (APPROX. WT. WITH STANDARD COVER = 400 LBS). MATERIAL TO BE ASTM A536, GRADE 80-55-06.

The selection and use of this Standard Detail, while designed in accordance with generally accepted engineering principles and practices, is the sole responsibility of the user.	 Bureau of Environmental Services CITY OF PORTLAND, OREGON  Chief Engineer	
	Standard Detail Title	
	36 Inch Manhole Double Cover	
Note: All material and workmanship shall be in accordance with the City of Portland Standard Construction Specifications.	Effective Date: 01-01-09	Standard Detail No. P-178
	Calc. Book No.: N/A	
	Baseline Report Date: N/A	