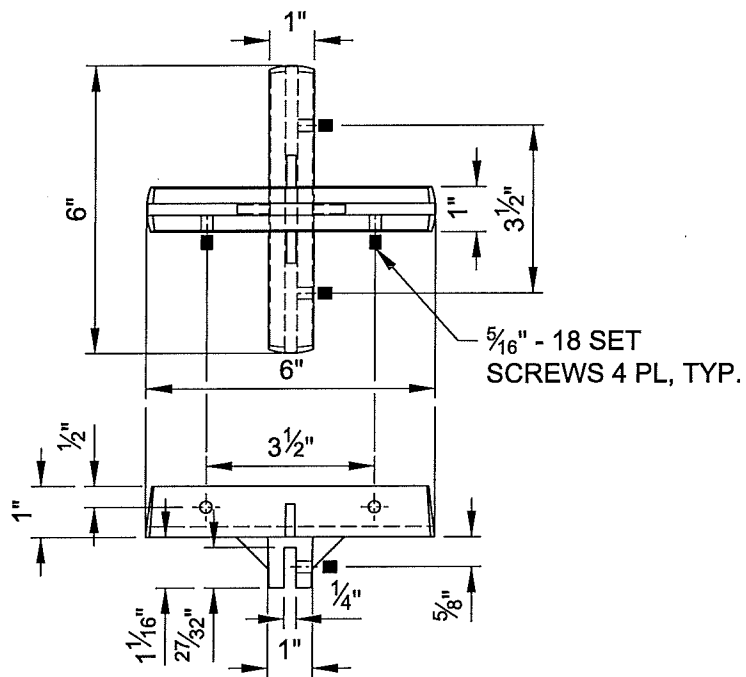
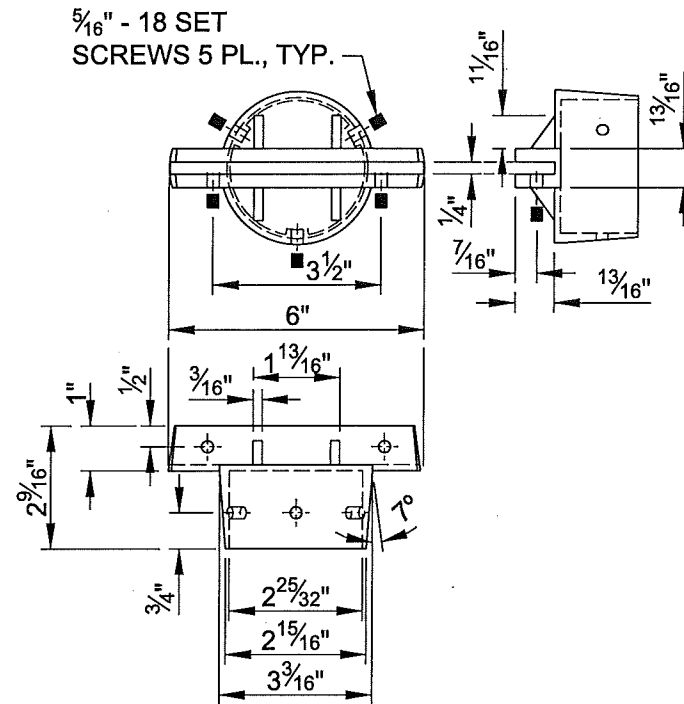


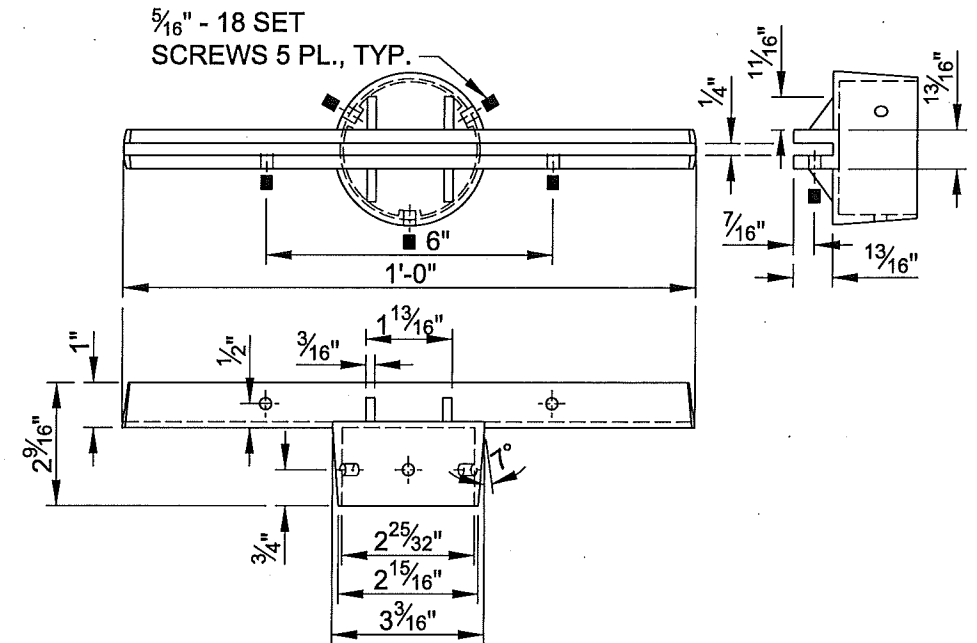
DOUBLE SNS CROSS-PIECE 12"



DOUBLE SNS CROSS-PIECE 6"




SINGLE SNS POST CAP 6"



SINGLE SNS POST CAP 12"

NOTES:

1. BRACKET MATERIAL: CAST ALUMINUM ALLOY A380
2. SET SCREW MATERIAL : STAINLESS STEEL
3. DIMENSIONS SHOWN AFTER FINISH
4. APPLY 25-40 INCH-POUNDS OF PRESSURE TO SET SCREWS
5. FOR USE WITH 8" AND 12" HEIGHT STREET NAME SIGNS ONLY. 16" HEIGHT SIGNS CAN NOT BE MOUNTED ON A PIPE POST WITH CROSS PIECE HARDWARE.
6. STREET NAME SIGNS GREATER THAN 36" LONG REQUIRE THE 12" CROSS PIECE HARDWARE.

<p>The selection and use of this Standard Drawing, while designed in accordance with generally accepted engineering principles and practices, is the sole responsibility of the user.</p>	 <p>BUREAU OF TRANSPORTATION CITY OF PORTLAND, OREGON</p> <p><i>Steve Tomlin</i> City Engineer</p>	
	<p>Standard Drawing Title</p> <p>STREET NAME SIGN HARDWARE DETAILS FOR PIPE POST MOUNT</p>	
	<p>Effective Date: 05-14-2015</p>	<p>Standard Drawing No.</p> <p>P-412</p>
<p>Note: All material and workmanship shall be in accordance with the City of Portland Standard Construction Specifications.</p>	<p>Calc. Book No.:</p>	<p>Baseline Report Date:</p>