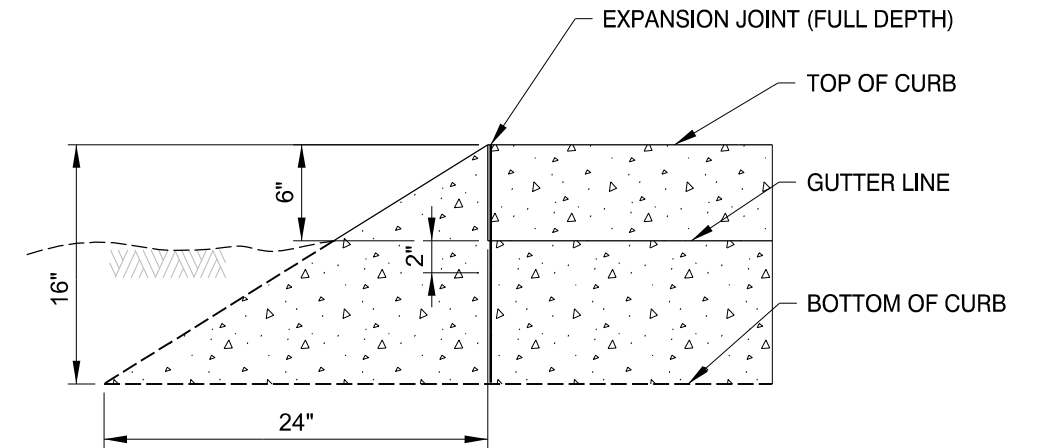
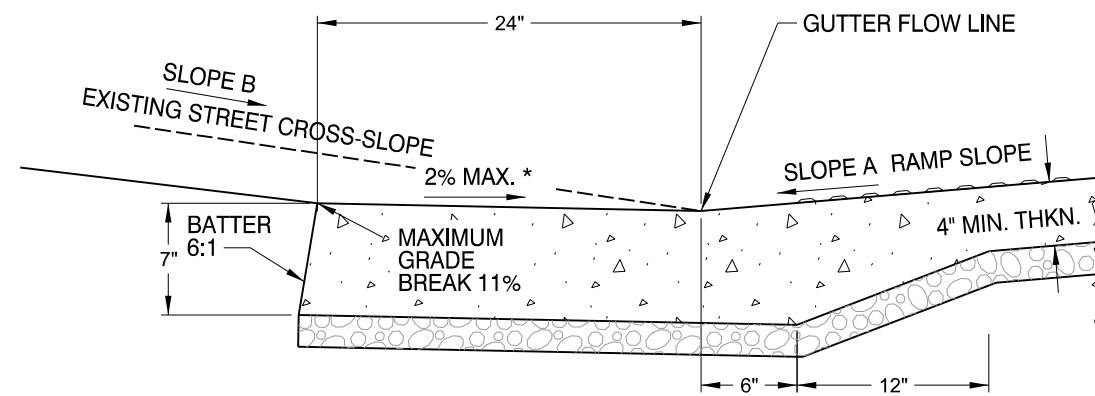


**CURB KNOCKOUT FOR DRIVEWAY
(COMBINATION CURB AND GUTTER)**



CURB ENDING



24" CONCRETE GUTTER AT CURB RAMP

NOTES:

1. 24" CONCRETE GUTTER REQUIRED WHEN ALGEBRAIC GRADE BREAK BETWEEN SLOPES A & B IS GREATER THAN 11%.
2. MAXIMUM 11% GRADE BREAK ALLOWED IN ACCESSIBLE ROUTE. SEE STD. DRGS. P-547 THRU P-550 FOR SIDEWALK RAMP DETAILS NOT SHOWN.
3. SEE STD. DRG. P-506 FOR PAVEMENT RESTORATION DETAILS.

* USE 1.5% DESIGN GRADE MAXIMUM FOR CONSTRUCTION TOLERANCE

<p>The selection and use of this Standard Drawing, while designed in accordance with generally accepted engineering principles and practices, is the sole responsibility of the user.</p>	<p>PBOT PORTLAND BUREAU OF TRANSPORTATION</p> <p><i>Steve Tourean</i> City Engineer</p>	
	<p>Standard Drawing Title</p> <p>MISCELLANEOUS CURB DETAILS</p>	
<p>Note: All material and workmanship shall be in accordance with the City of Portland Standard Construction Specifications.</p>	<p>Effective Date: 08-27-2019</p>	<p>Standard Drawing No.</p>
	<p>Calc. Book No.:</p>	<p>P-544</p>
	<p>Std. Drg. Report Date:</p>	