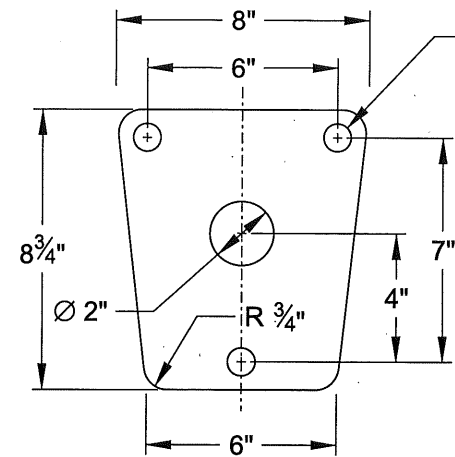


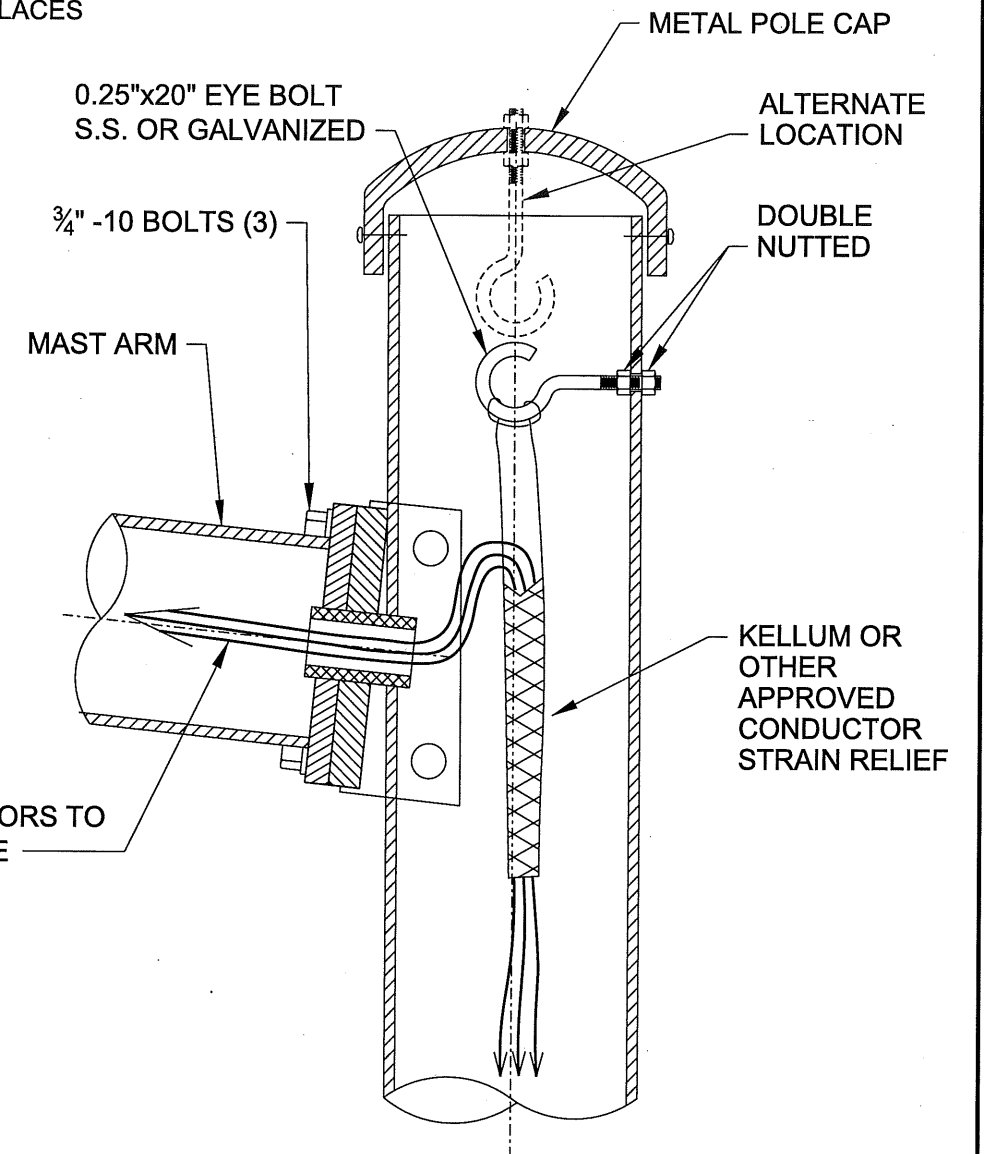
LUMINAIRE ARM DESIGN	
ARM LENGTH	APPROX. RISE (ARM FULLY LOADED)
4'	12"
6'	18"
8'	22"
10'	26"
12'	30"
15'	36"

BASE PLATE DESIGN		
MOUNTING HEIGHT	ARM	BOLT CIRCLE (in)
30	12' MAX	11"
35	12' MAX	11.5"
35	15'	12.5"
40	10'	12.5"
40	12'	13"
40	15'	13.5"

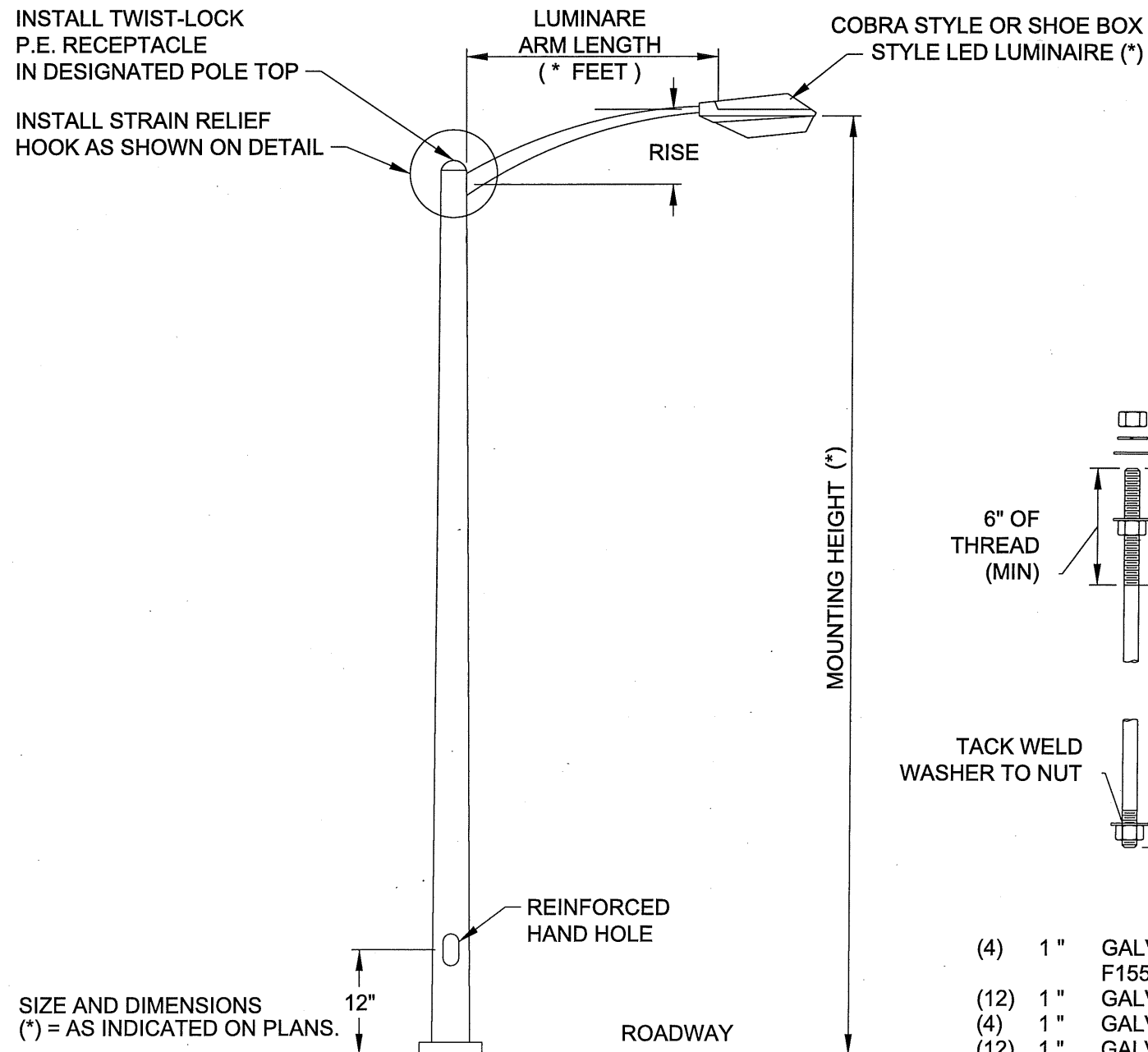


ARM FLANGE

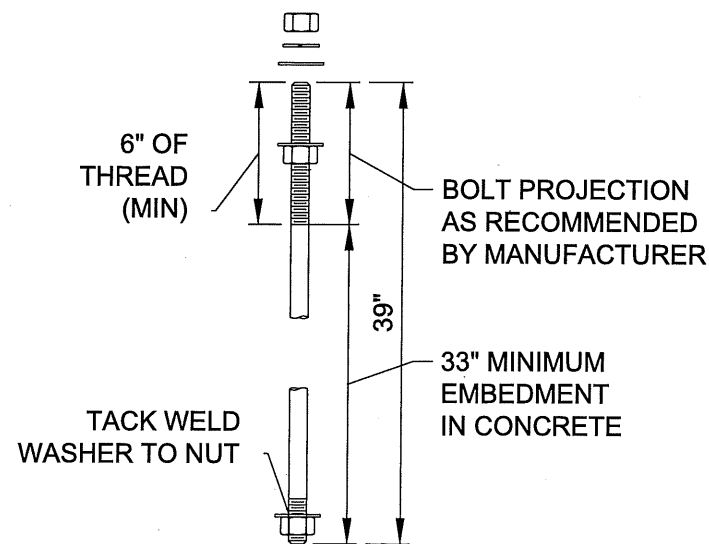
DRILL 7/8" DIA. (3) PLACES



STRAIN RELIEF HOOK DETAIL



TYPICAL COBRA-HEAD POLE



- (4) 1" GALV. STL. ANCHOR BOLTS F1554 GRADE 36
- (12) 1" GALV. STL. HEX NUTS
- (4) 1" GALV. STL. LOCKWASHERS
- (12) 1" GALV. STL. FLATWASHERS

ANCHOR BOLT DETAIL

NOT TO SCALE

<p>The selection and use of this Standard Drawing, while designed in accordance with generally accepted engineering principles and practices, is the sole responsibility of the user.</p>	<p><i>Steve Tomman</i> Chief Engineer</p>	
	<p>Standard Drawing Title</p> <p>STREET LIGHTING COBRA-HEAD POLE DETAILS</p>	
<p>Note: All material and workmanship shall be in accordance with the City of Portland Standard Construction Specifications.</p>	<p>Effective Date: 06-17-15</p>	<p>Standard Drawing No.</p> <p>P-651</p>
	<p>Calc. Book No.:</p>	
	<p>Baseline Report Date:</p>	