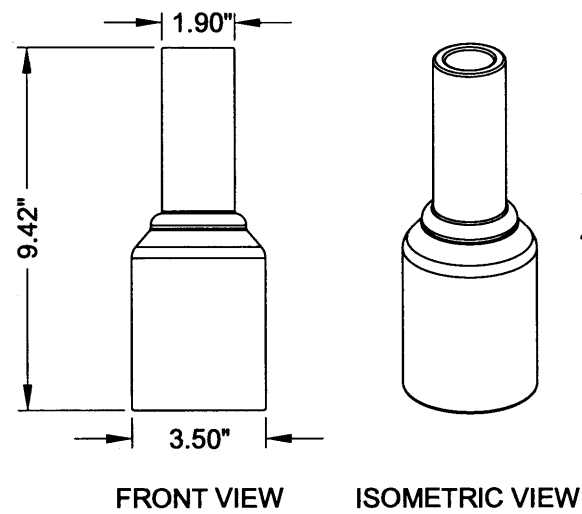
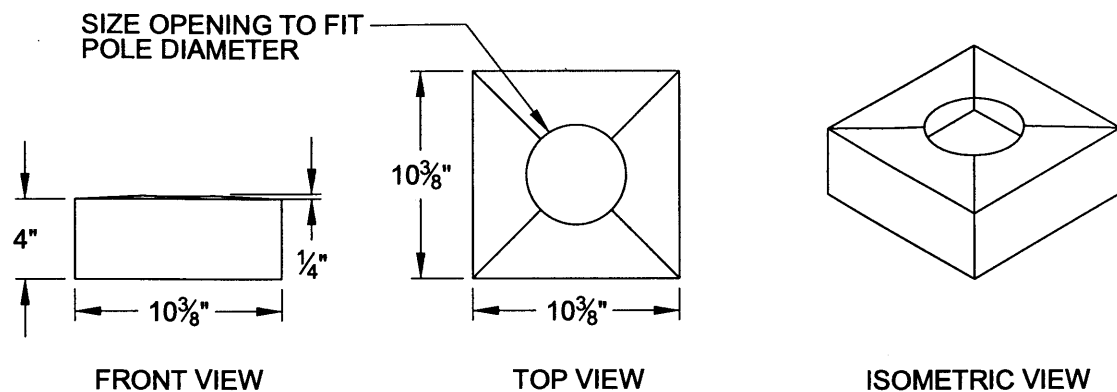


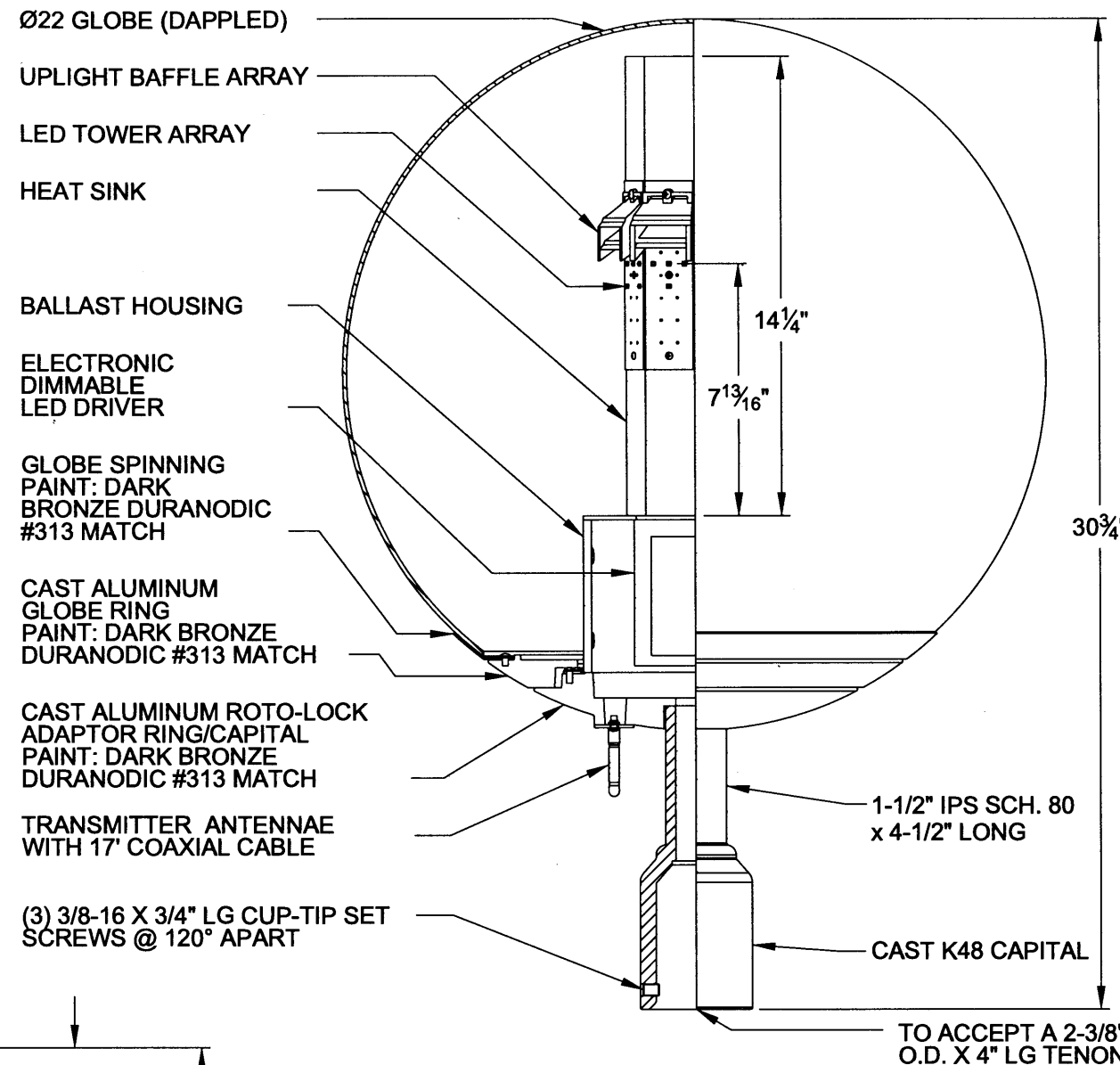
Plot Date: 9/11/2012 11:52:31 AM File: U:\Illustration\DON\CITY OF PORTLAND - STANDARD DRAWINGS\SECTION DIVISIONS\6-TRAFFIC SIGNALS\MICROSTATION\P-656 South Auditorium Post Top Style Pole Detail.dwg PRINT SCALE: 1/8"=1'-0" SCALE: 1/8"=1'-0"



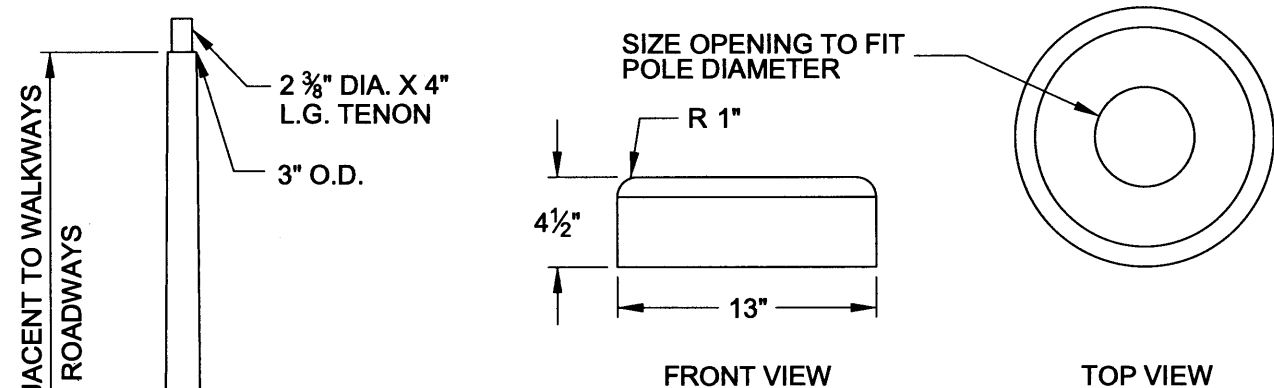
**CAST K48 CAPITAL**



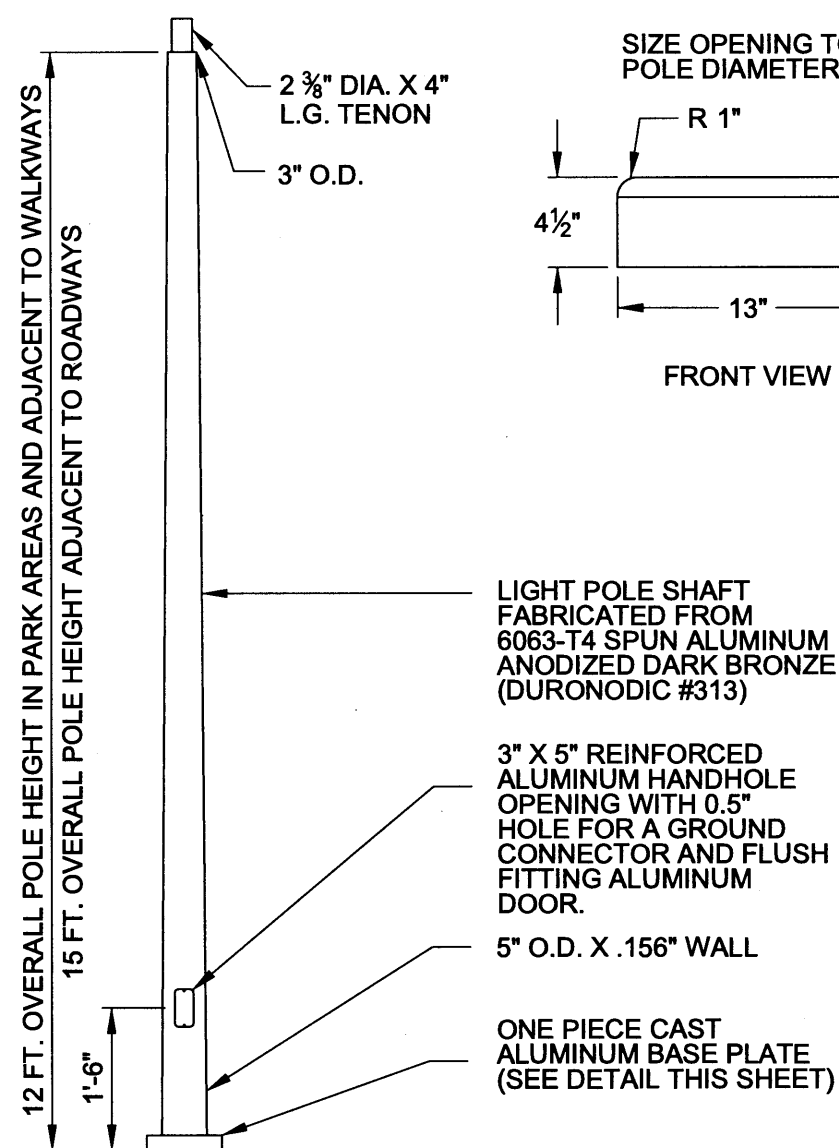
**SQUARE BASE PLATE COVER  
-WALKWAYS AND PARK**



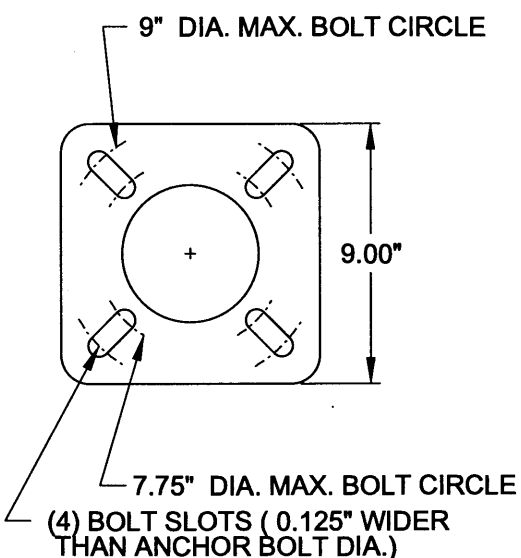
**SOUTH AUDITORIUM  
POST TOP LIGHT**



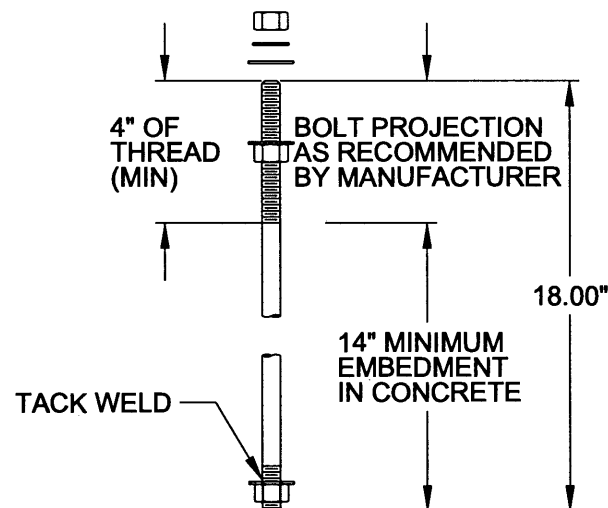
**ROUND BASE PLATE COVER  
-ROADWAYS**



**SOUTH AUDITORIUM  
POST TOP POLE**



**BASE PLATE AND BOLT CIRCLE**



- (4) 5/8" GALV. STL. ANCHOR BOLTS F1554 GRADE 36
- (12) 5/8" GALV. STL. HEX NUTS
- (4) 5/8" GALV. STL. LOCKWASHERS
- (12) 5/8" GALV. STL. FLATWASHERS

**ANCHOR BOLT DETAIL**

The selection and use of this Standard Detail, while designed in accordance with generally accepted engineering principles and practices, is the sole responsibility of the user.		
	Standard Detail Title <b>SOUTH AUDITORIUM POST TOP STYLE LIGHT POLE DETAILS</b>	
	Effective Date: 09-11-12 Calc. Book No.: N/A Baseline Report Date: N/A	Standard Detail No. <b>P-656</b>

Note:  
All material and workmanship shall be in accordance with the City of Portland Standard Construction Specifications.