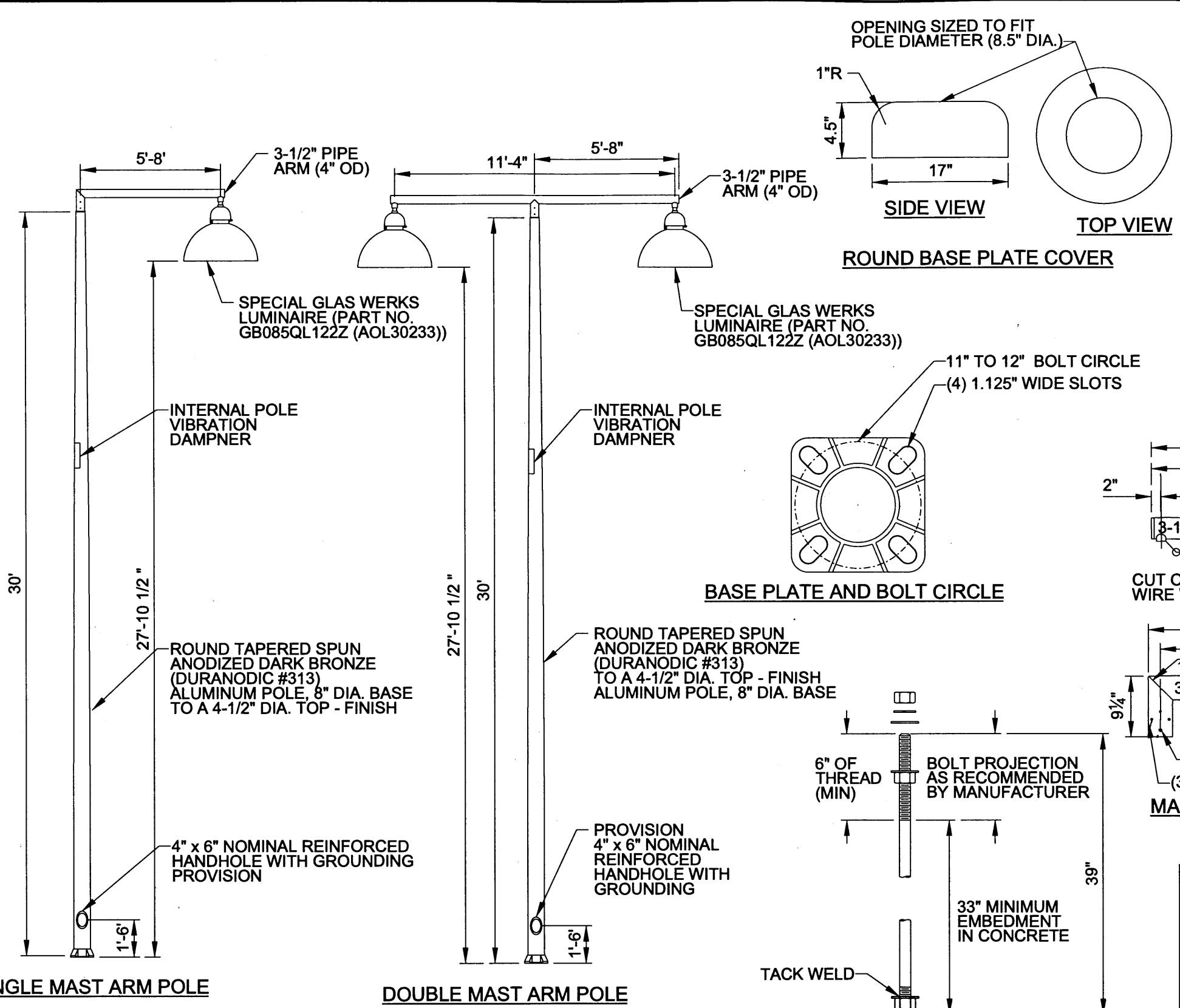


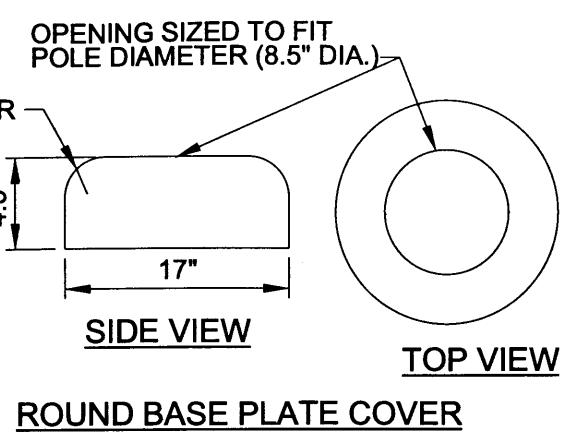
Plot Date: 9/11/2012 11:52:26 AM



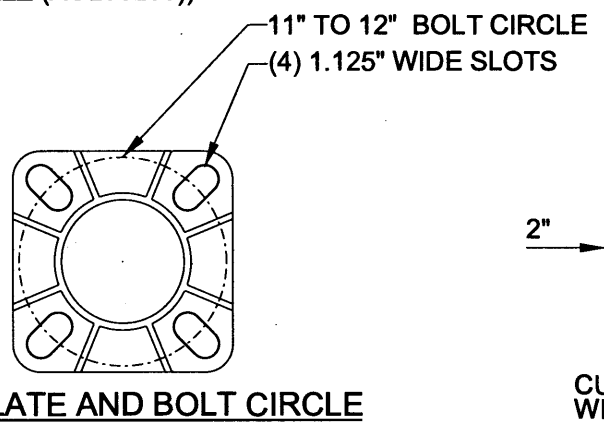
SINGLE MAST ARM POLE

DOUBLE MAST ARM POLE

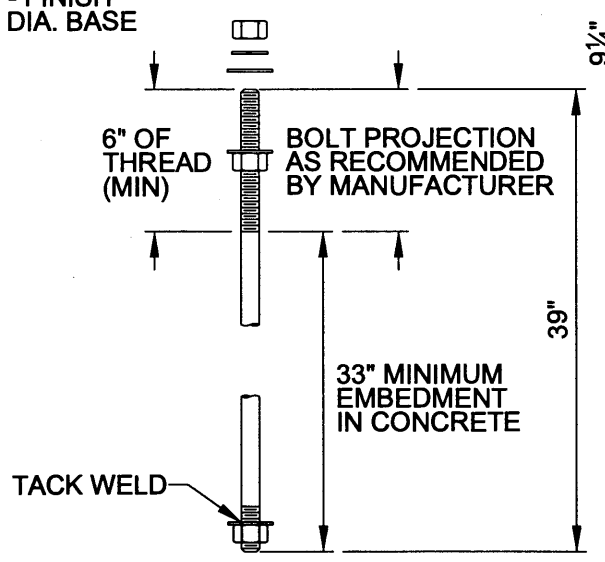
**SOUTH AUDITORIUM
STREET LIGHT POLE**



ROUND BASE PLATE COVER

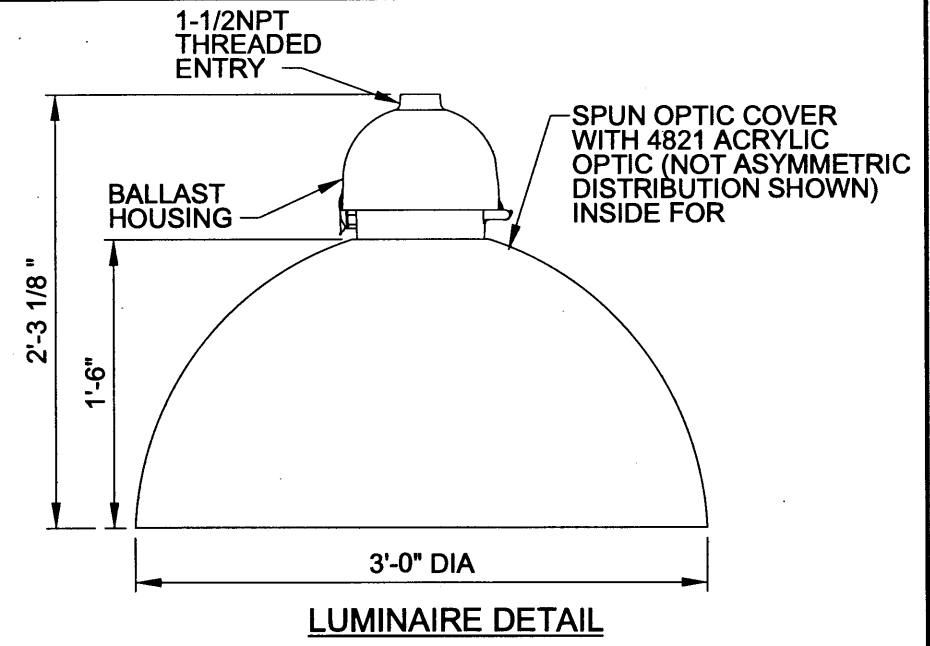


BASE PLATE AND BOLT CIRCLE

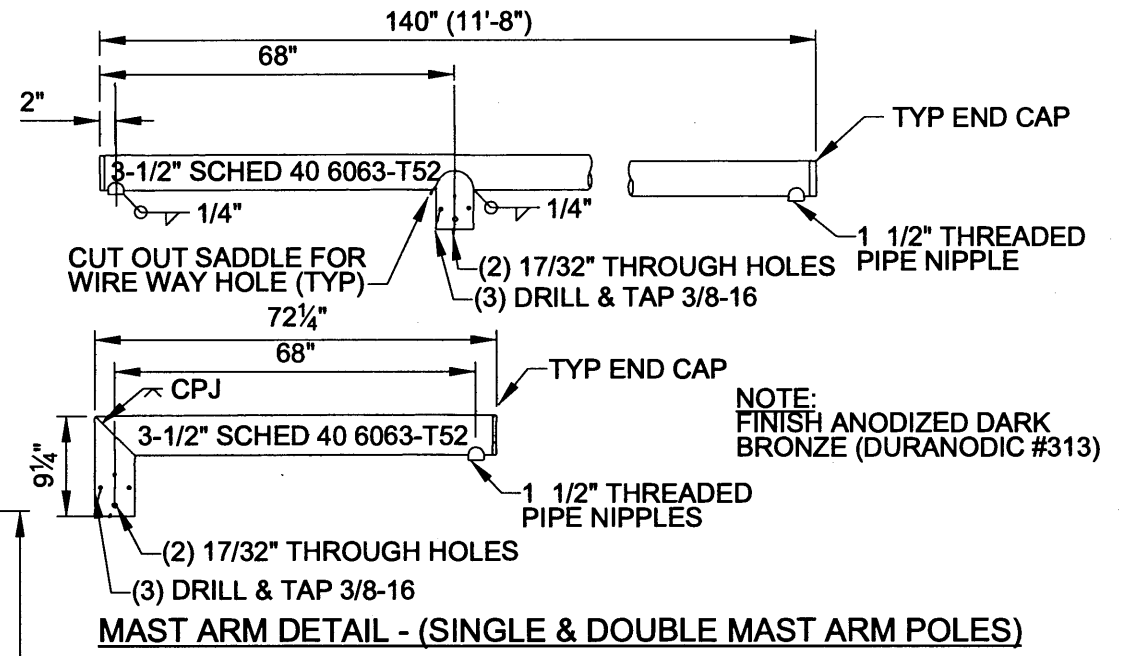


- (4) 1" GALV. STL. ANCHOR BOLTS F1554 GRADE 36
- (12) 1" GALV. STL. HEX NUTS
- (4) 1" GALV. STL. LOCKWASHERS
- (12) 1" GALV. STL. FLATWASHERS

ANCHOR BOLT DETAIL



LUMINAIRE DETAIL



MAST ARM DETAIL - (SINGLE & DOUBLE MAST ARM POLES)

NOT TO SCALE

<p>The selection and use of this Standard Drawing, while designed in accordance with generally accepted engineering principles and practices, is the sole responsibility of the user.</p>	<p>BUREAU OF TRANSPORTATION CITY OF PORTLAND, OREGON</p> <p style="text-align: center;"><i>Steve Tomman</i> Chief Engineer</p>	<p>Standard Drawing Title</p> <p style="text-align: center;">SOUTH AUDITORIUM STREET LIGHT POLE & LUMINAIRE DETAILS</p>
	<p>Effective Date: 09-11-12</p> <p>Calc. Book No.:</p> <p>Baseline Report Date:</p>	<p>Standard Drawing No.</p> <p style="text-align: center; font-size: 1.2em;">P-657</p>

Note:
All material and workmanship shall be in accordance with the City of Portland Standard Construction Specifications.