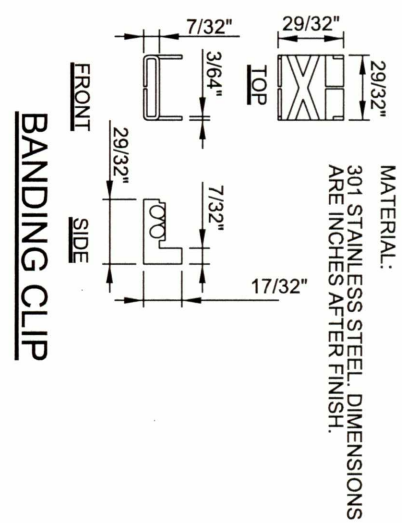


NOT TO SCALE

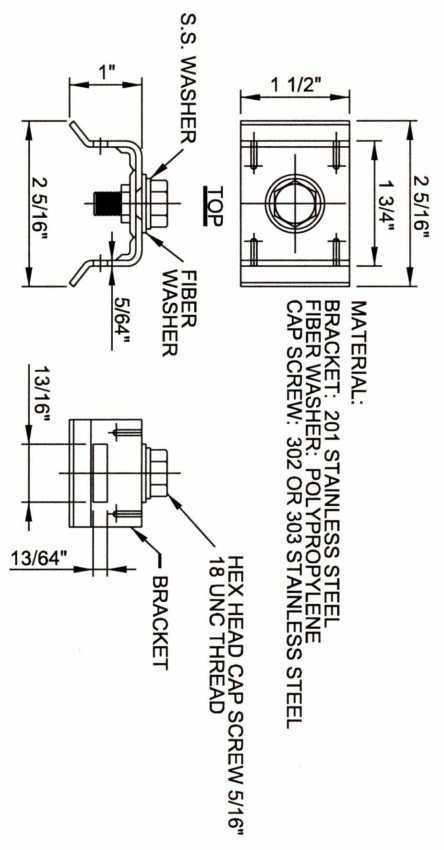
**SERVICE CABINET:**  
 1. UL LISTED AND LABELED FOR USE AS SERVICE EQUIPMENT, ENCLOSURE TO BE RAIN-TIGHT, IP 66 RATED.

**CABINET MOUNTING:**  
 1. ALL MOUNTING HARDWARE TO BE STAINLESS STEEL.  
 2. ALL OPENINGS CUT IN STEEL, POLES TO HAVE APPROVED, COLD GALVANIZING APPLICATION PRIOR TO FITTINGS INSTALLATION.  
 3. CONTROLLER CABINET TO BE MOUNTED AS SHOWN ON THE PLANS OR AS DIRECTED BY THE ENGINEER.  
 4. INSTALL ELECTRICAL CONDUCTORS AND COAX CABLE WITH APPROVED CONDUCTOR STRAIN RELIEF PER STANDARD DETAIL P-651.

**POLE-MOUNTED LIGHTING CONTROL CABINET  
 EXPLODED VIEW MOUNTING**



**MATERIAL:**  
 301 STAINLESS STEEL. DIMENSIONS ARE INCHES AFTER FINISH.



**MATERIAL:**  
 BRACKET: 201 STAINLESS STEEL  
 FIBER WASHER: POLYPROPYLENE  
 CAP SCREW: 302 OR 303 STAINLESS STEEL

The selection and use of this Standard Detail, while designed in accordance with generally accepted engineering principles and practices, is the sole responsibility of the user.

**Note:**  
 All material and workmanship shall be in accordance with the City of Portland Standard Construction Specifications.

**BUREAU OF TRANSPORTATION  
 CITY OF PORTLAND, OREGON**

*Steve Turner*  
 Chief Engineer

Standard Detail Title  
**STREET LIGHTING  
 CONTROL UNIT INSTALLATION**

Effective Date: N/A	Standard Detail No. <b>P-682</b>
Calc. Book No.: N/A	
Baseline Report Date: N/A	