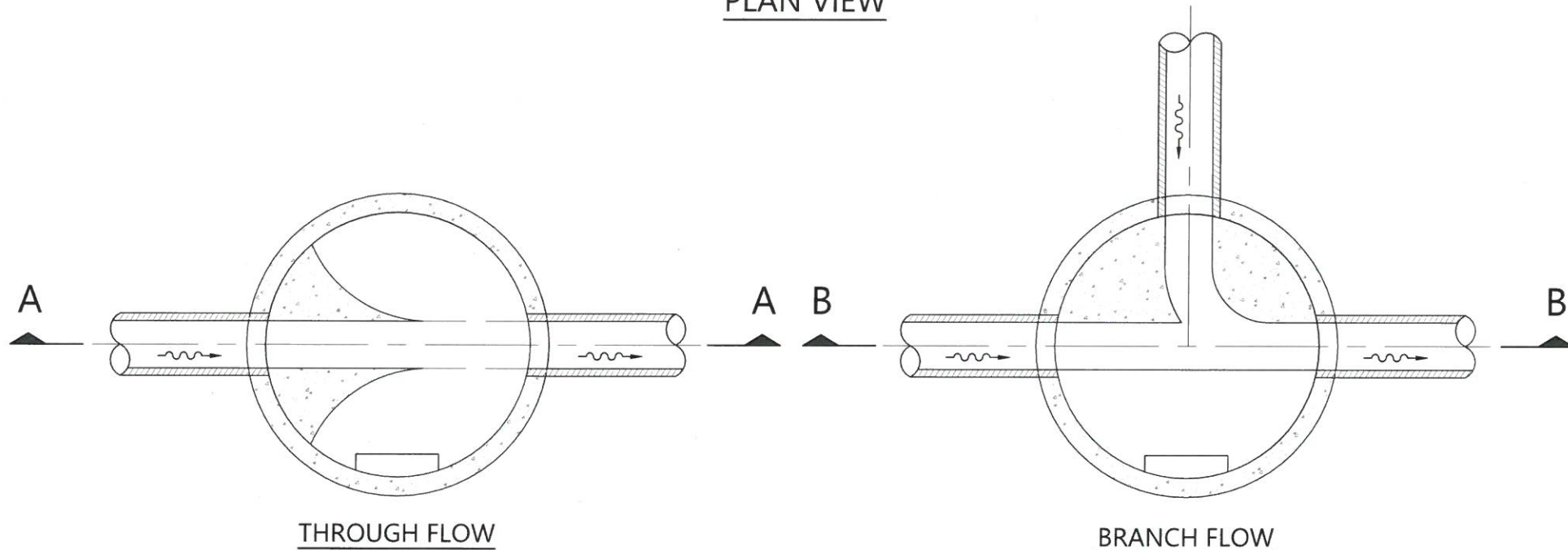


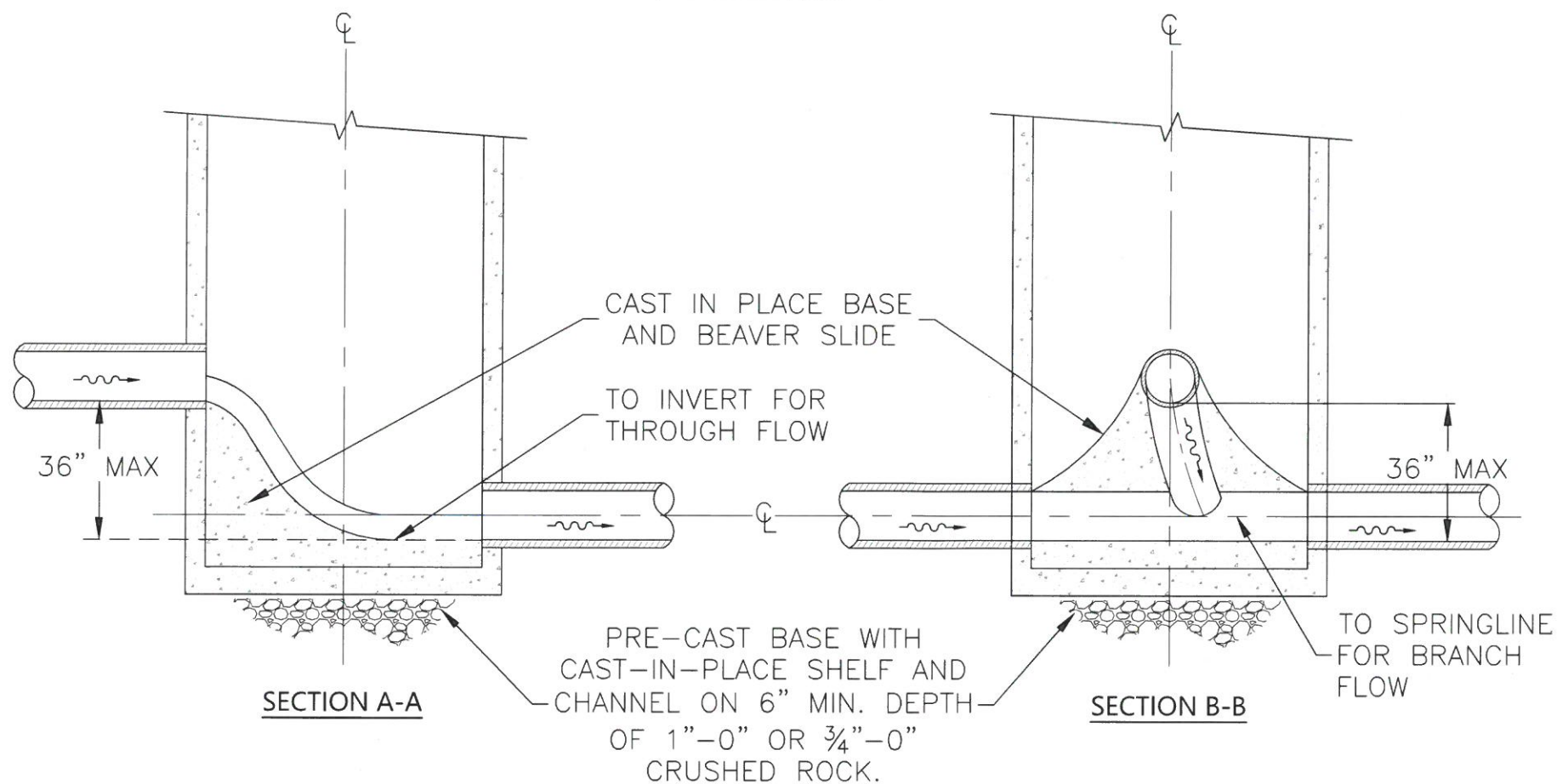
PLAN VIEW



THROUGH FLOW

BRANCH FLOW

SECTION VIEW



SECTION A-A

SECTION B-B

NOTES:

1. BEAVER SLIDES ARE TO BE USED ONLY WHEN DIRECTED BY OWNER'S REPRESENTATIVE.
2. 36-INCH MAX HEIGHT OR DROP, OR AS APPROVED BY OWNER'S REPRESENTATIVE.
3. CONCRETE SHALL CONFORM TO SPECIFICATION 00440, MINIMUM STRENGTH OF 3,000 PSI.
4. REFER TO STANDARD DRAWING P-150 FOR ADDITIONAL REQUIREMENTS.

P-183_BEAVR_SLIDE_MANHOLE.DWG 1/7/19 10:10 AM MICJOHNSON

The selection and use of this Standard Detail, while designed in accordance with generally accepted engineering principles and practices, is the sole responsibility of the user.



Bureau of Environmental Services
CITY OF PORTLAND, OREGON

Will Ryan 1/7/19
Chief Engineer

Standard Detail Title

Manhole with beaver slide

Note:
All material and workmanship shall be in accordance with the City of Portland Standard Construction Specifications.

Effective Date: 10-29-18

Calc. Book No.: N/A

Baseline Report Date: N/A

Standard Detail No.

P-183