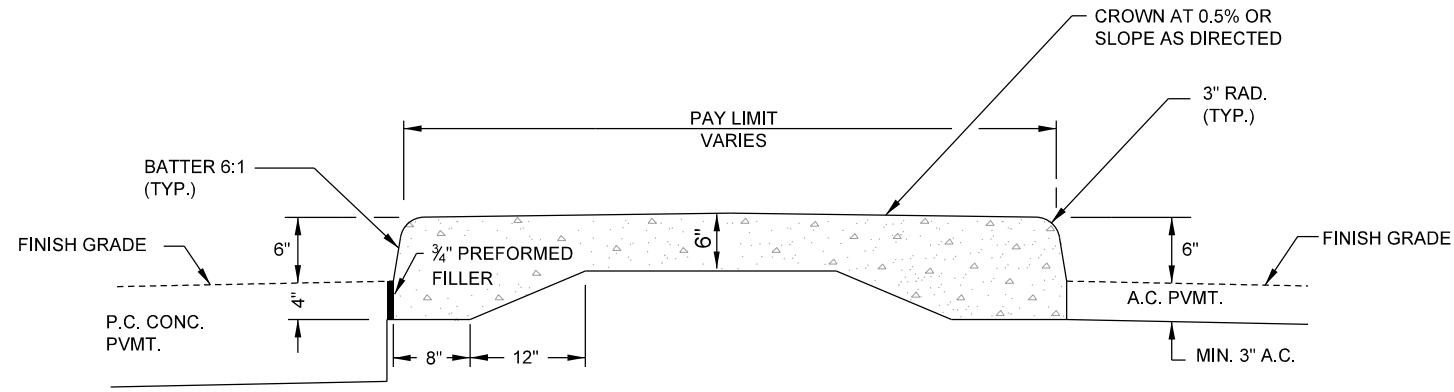
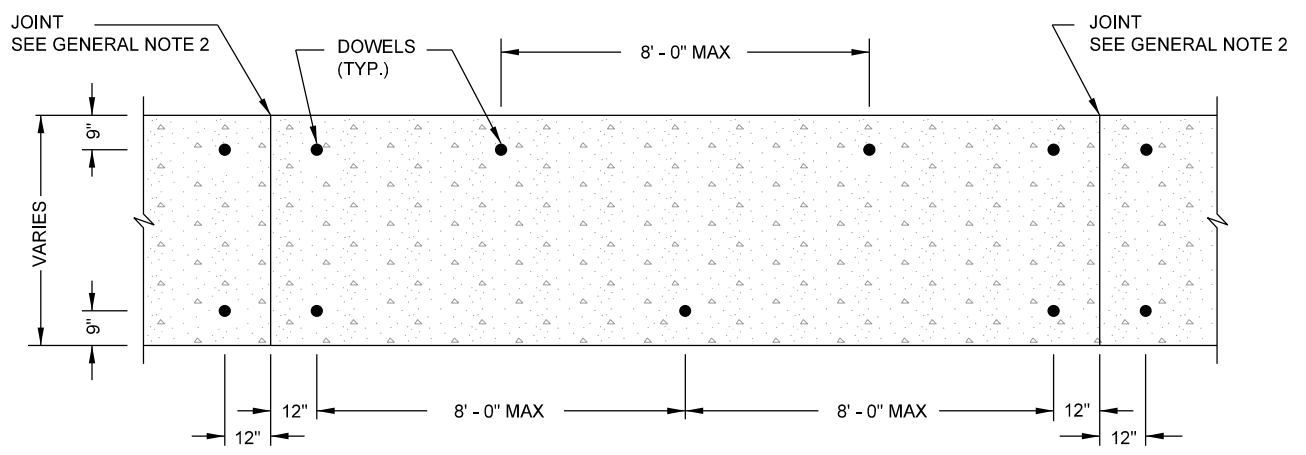


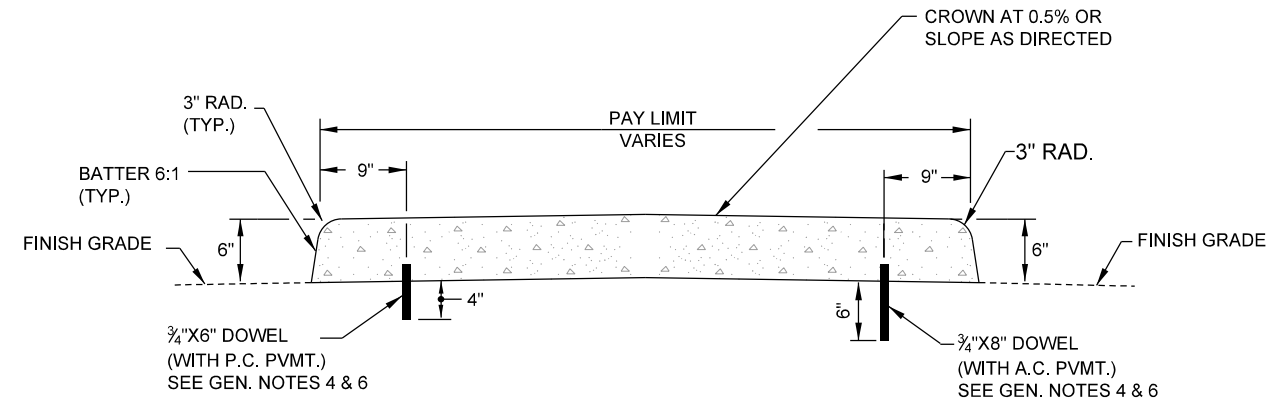
File name: U:\usdot\port\PORTLAND - STANDARD DRAWINGS\SECTION DIVISIONS\3-STREETS\MICROSTATION\STD DRAWING NO P-555\LOT_SHT_P-555.dgn
 Plot Date: 1/7/2021 9:16:39 AM



TYPE INSET



DOWEL PLAN FOR ISLANDS & TRANSITIONS



TYPE - DOWELLED

GENERAL NOTES

1. TRANSVERSE JOINTS IN CONC. ISLANDS TO MATCH JOINTS IN CONC. PVMT. AND TO BE OF SAME TYPE (OMIT DOWELS IN EXPANSION JOINTS).
2. SET JOINT SPACING 200' MAX. FOR EXPANSION AND 15' MAX. FOR CONTRACTION.
3. PLACE PREFORMED FILLER ALONG ONE SIDE OF CONC. ISLANDS IN CONCRETE PAVEMENT AND AROUND ALL CURVED ENDS.
4. FOR CONCRETE PAVEMENT, DRILL 1 1/2" DIA. HOLES AND EPOXY DOWELS IN PLACE. FOR ASPHALT CONCRETE, DRILL 3/4" DIA. HOLES AND DRIVE DOWELS IN.
5. FOR TRANSITIONS TO TRAFFIC SEPARATORS, SEE STD. DRG. P-557
6. NO DOWELS REQUIRED FOR ISLAND GREATER THAN 5' WIDE AND 30 SQ. FT. IN AREA

The selection and use of this Standard Drawing, while designed in accordance with generally accepted engineering principles and practices, is the sole responsibility of the user.

Note:
All material and workmanship shall be in accordance with the City of Portland Standard Construction Specifications.

PBOT PORTLAND BUREAU OF TRANSPORTATION

DocuSigned by:
Steve Tomlin
C2A8F19D39BF4BF...
City Engineer

Standard Drawing Title
ISLANDS

Effective Date: 01-07-2021	Standard Drawing No. P-555
Calc. Book No.:	
Std. Drg. Report Date:	