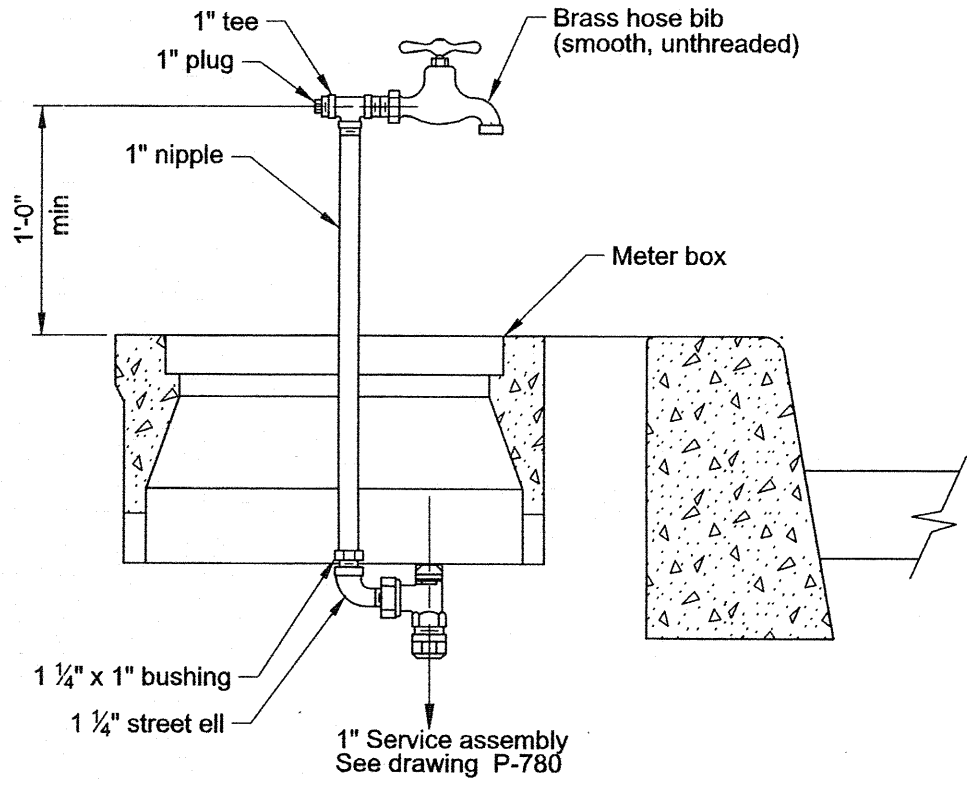
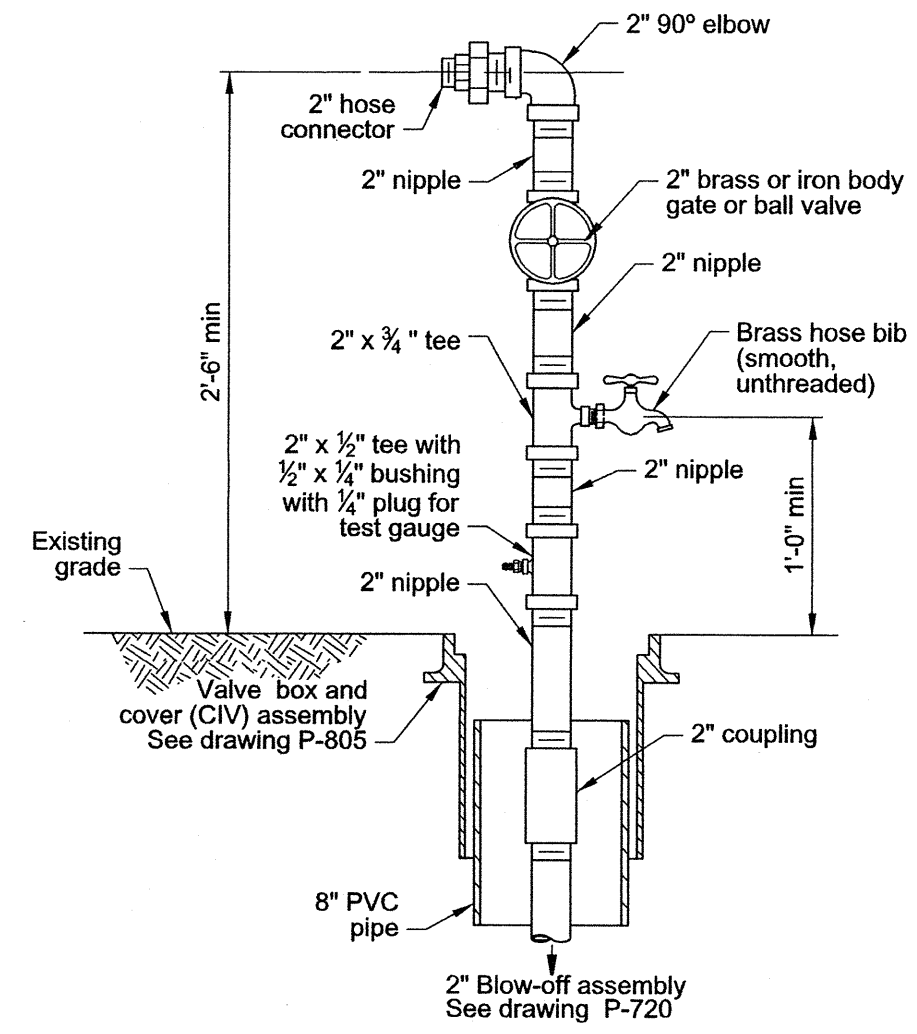


Plot Date: 6/4/2009 2:46:46 PM
 Filename: I:\CADD\Standards\Drawings\MicroStation\2009_StdDrawings\stems_set\P-740.dgn



Temporary 1" Service Sample Point



Temporary 2" Construction Test/Sample Riser

The selection and use of this Standard Drawing, while designed in accordance with generally accepted engineering principles and practices, is the sole responsibility of the user.


PORTLAND WATER BUREAU
 CITY OF PORTLAND, OREGON

 Chief Engineer

Standard Drawing Title
TEMPORARY TEST/SAMPLING POINT ASSEMBLIES

Note:
 All material and workmanship shall be in accordance with City of Portland Standard Construction Specifications.

Effective Date **April 6 2009**
 Calc. Book No. **PWB 1**
 Baseline Report Date **April 6 2009**

Standard Drawing No.
P-740