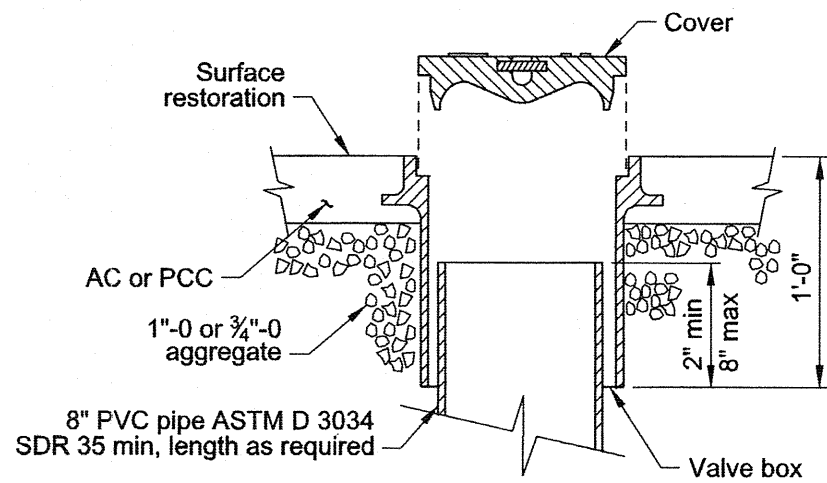
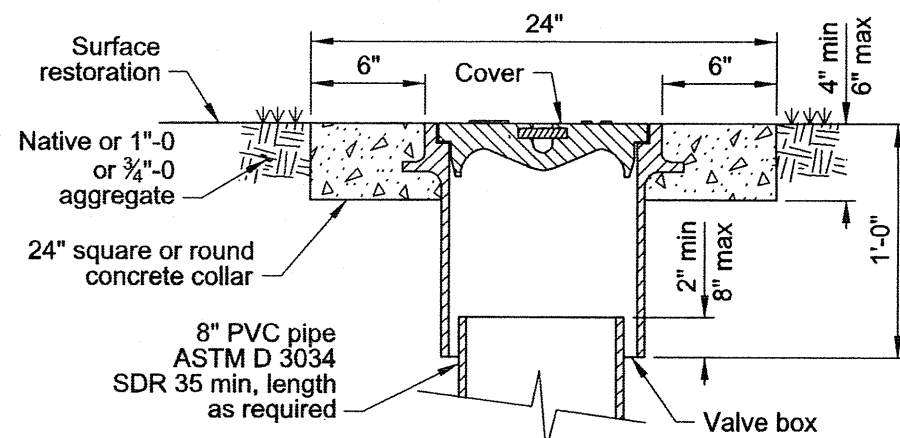


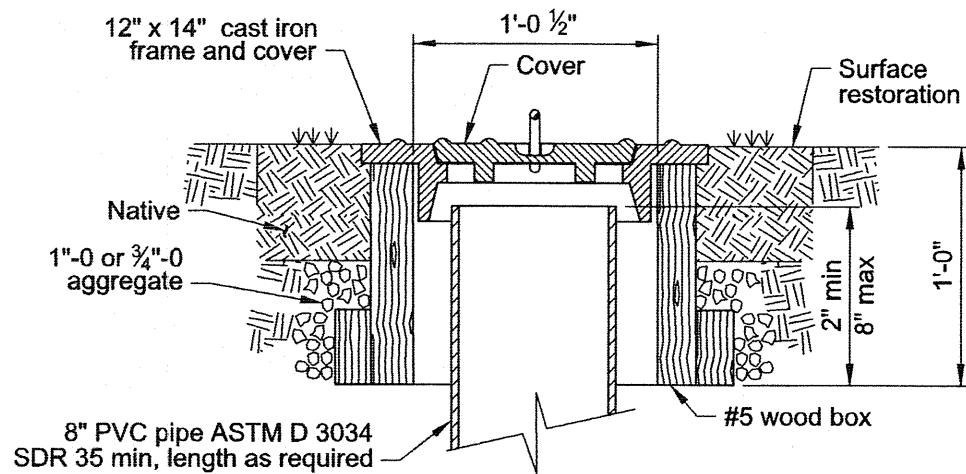
Plot Date: 6/2/2009 4:21:03 PM  
 Filename: I:\CADD\Standards\Drawings\MicroStation\2009\_StdDrawings\stons\_set\P-805.dgn



**Type 1**




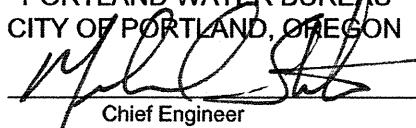
**Type 2**



**Type 3**

**Note:**

Cast iron valve boxes, covers, frames and #5 wood box provided by PWB.

The selection and use of this Standard Drawing, while designed in accordance with generally accepted engineering principles and practices, is the sole responsibility of the user.	 PORTLAND WATER BUREAU CITY OF PORTLAND, OREGON  Chief Engineer	
	Standard Drawing Title <b>VALVE BOX &amp; COVER (CIV)          ASSEMBLY</b>	
Note: All material and workmanship shall be in accordance with City of Portland Standard Construction Specifications.	Effective Date    April 6 2009	Standard Drawing No. <b>P-805</b>
	Calc. Book No.    PWB 1	
	Baseline Report Date    April 6 2009	