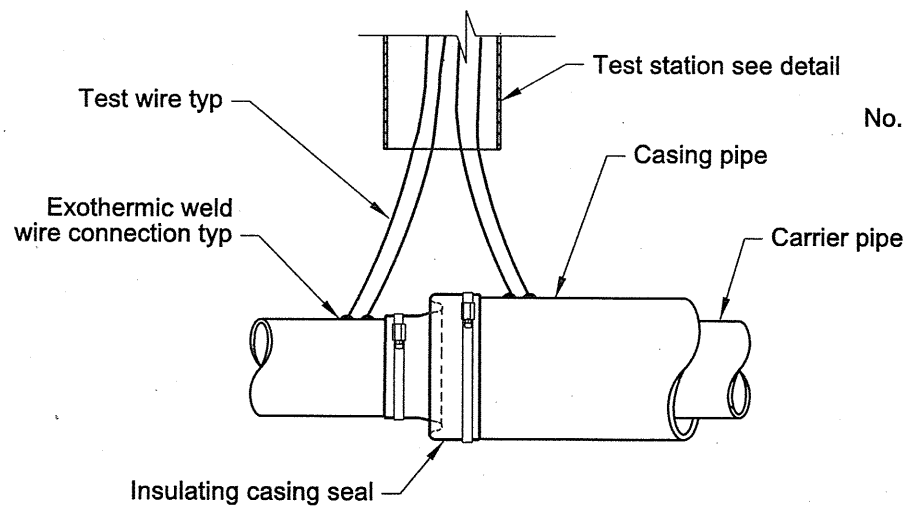
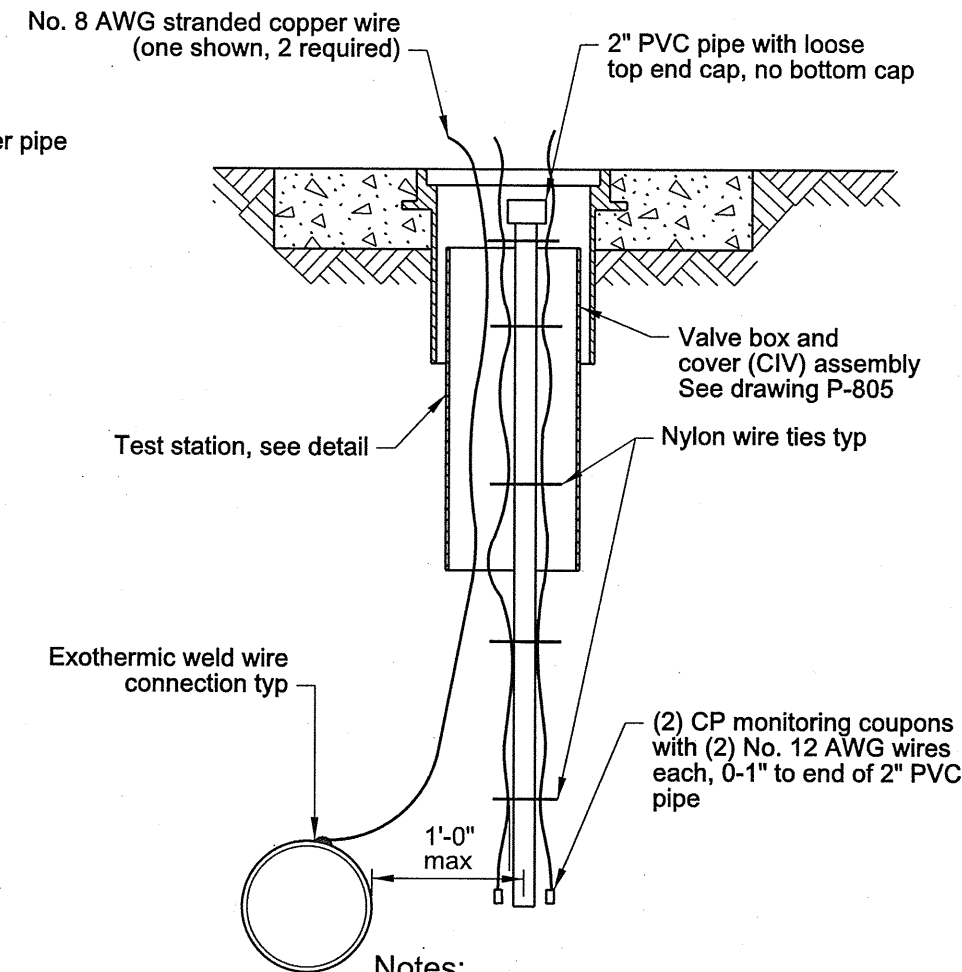


Test Station Installation



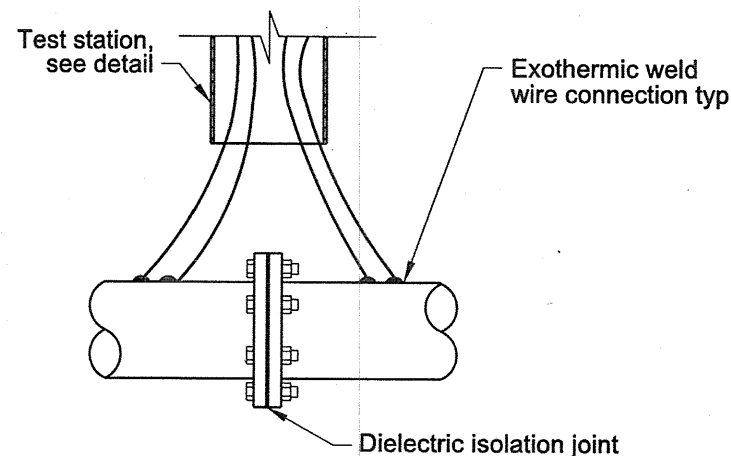
Casing Test Station (TS/C)



Notes:

1. Bed coupon in same backfill as pipe. Compact backfill to 1 ft min above coupon.
2. Do not backfill inside 2" or 8" PVC pipe.

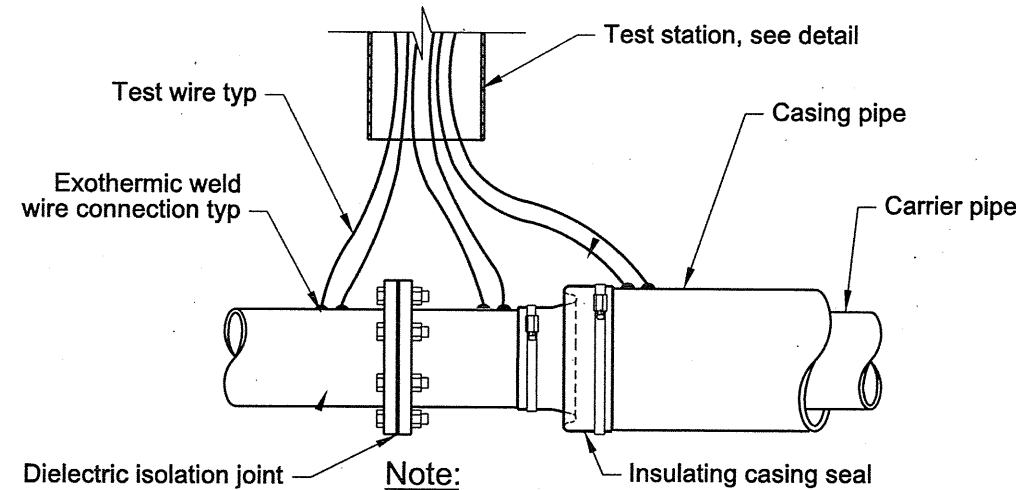
Monitoring Test Station (TS/M)



Note:

1. Isolation flange joint shown, others similar.

Isolation Joint Test Station (TS/IJ)



Note:

1. Isolation flange joint shown, others similar.


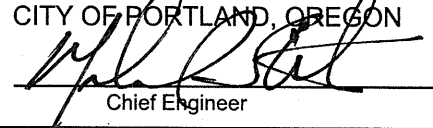
Combination Test Station (TS/C/IJ)

Item	Wire color	Wire
New water main	white	8 AWG, stranded copper wire, USE-type insulation
Existing water main	black	8 AWG, stranded copper wire, USE-type insulation
Casing pipe	orange	8 AWG, stranded copper wire, USE-type insulation
Galvanic anodes	blue	12 AWG, solid copper wire, TW or THHN insulation
Zinc reference cell	yellow	12 AWG, solid copper wire, TW or THHN insulation
CP monitoring coupons	purple	12 AWG, stranded copper wire, TW or THHN insulation

Notes:

1. Wire shall have enough slack to extend a min of 2 ft above finished grade after final paving.
2. For an isolation joint run of new water pipe, wire on the up station side of the isolation joint shall be white and wire on the down station side of the isolation joint shall be black.
3. Color code wires by insulation color, or by colored tape or paint on last 4 ft of wire.

Corrosion Control Test Wire Identification Table

The selection and use of this Standard Drawing, while designed in accordance with generally accepted engineering principles and practices, is the sole responsibility of the user.	 PORTLAND WATER BUREAU CITY OF PORTLAND, OREGON  Chief Engineer	
	Standard Drawing Title	
Note: All material and workmanship shall be in accordance with City of Portland Standard Construction Specifications.	Effective Date Dec 17, 2009	Standard Drawing No.
	Calc. Book No. PWB-1	P-765
	Baseline Report Date 12/17/09	