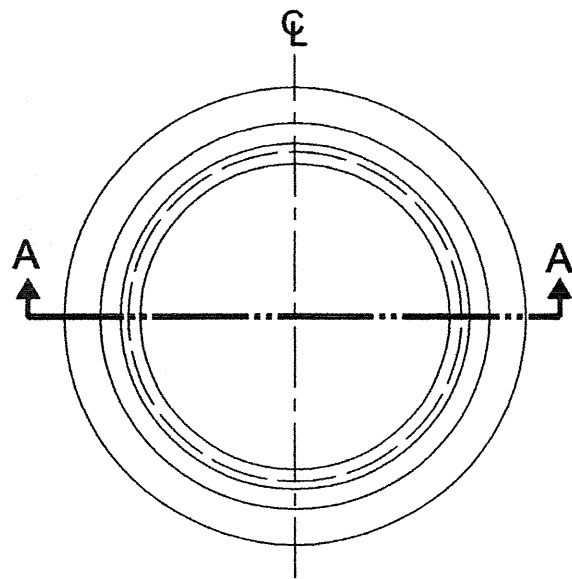
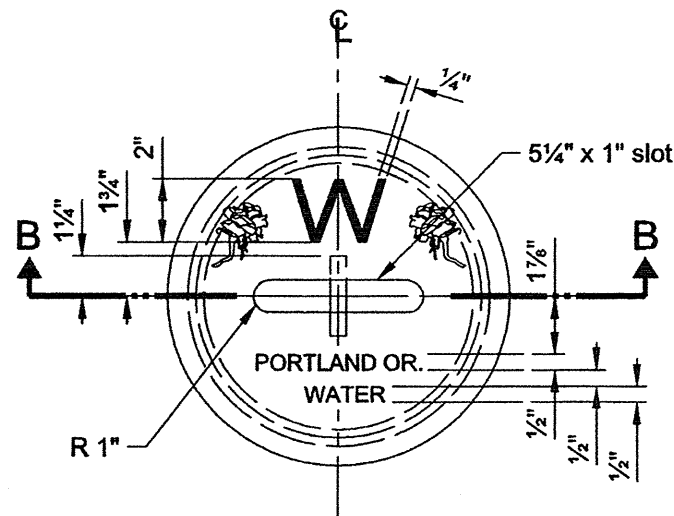


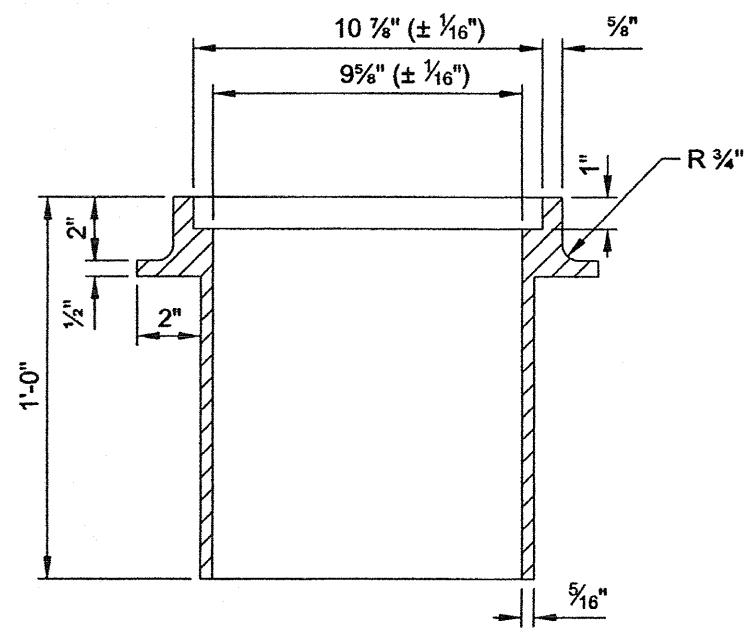
Plot Date: 2/2/2010 1:02:41 PM  
 Filename: I:\CADD\Standards\Drawings\1-P-Drawings\BeingWorkedOn\P-910.dgn



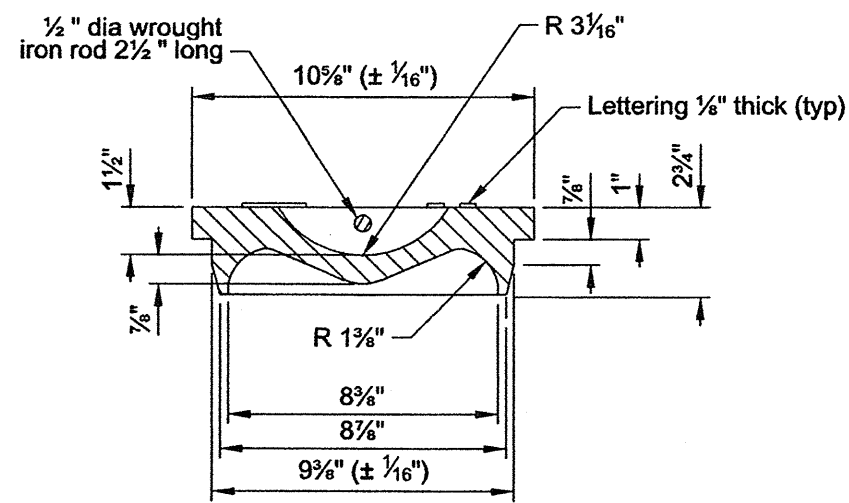
Valve box Plan



Cover Plan





Section A-A



Section B-B

**Note**

Tolerance  $\pm 1/8$ " except where noted on drawing.

The selection and use of this Standard Drawing, while designed in accordance with generally accepted engineering principles and practices, is the sole responsibility of the user.	 PORTLAND WATER BUREAU CITY OF PORTLAND, OREGON 	
	Standard Drawing Title <b>VALVE BOX AND COVER (CIV)</b>	
Note: All material and workmanship shall be in accordance with City of Portland Standard Construction Specifications.	Effective Date Feb 02 2010	Standard Drawing No.
	Calc. Book No. PWB 1	<b>P-910</b>
	Baseline Report Date Feb 02 2010	