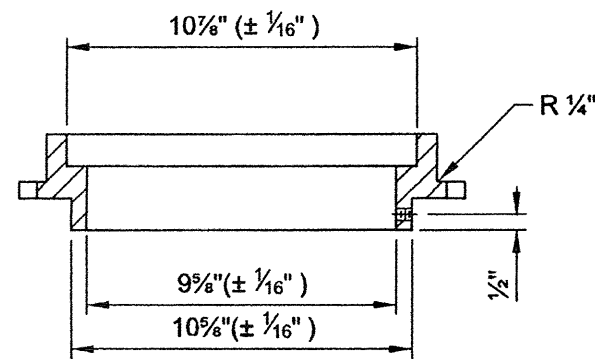
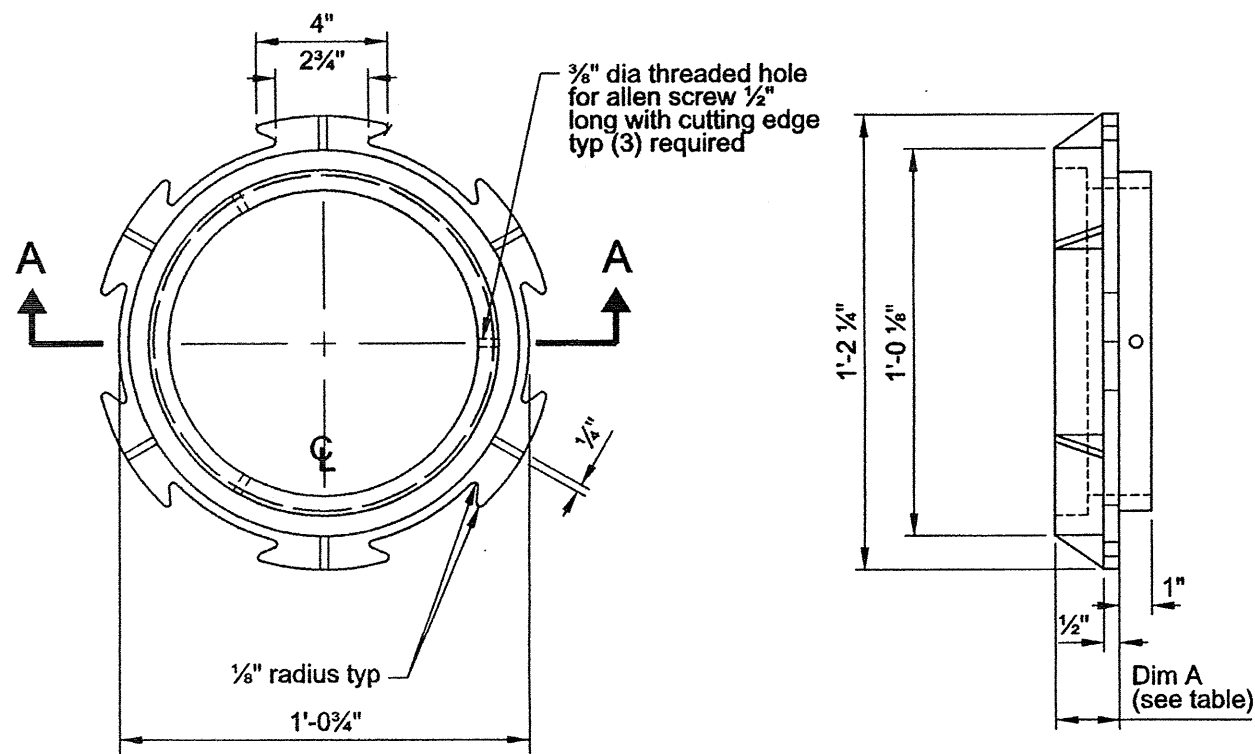



Plot Date: 2/2/2010 12:55:34 PM Filename: I:\CAD\Standards\Drawings\11-P-Drawings\BeingWorkedOn\P-915.dgn



Extension Options	
"A" (Height)	Weight
1 1/2"	18lbs
2"	25lbs
2 1/2"	32lbs

Note

Tolerance ± 1/8" except where noted on drawing.

<p>The selection and use of this Standard Drawing, while designed in accordance with generally accepted engineering principles and practices, is the sole responsibility of the user.</p>	 <p>PORTLAND WATER BUREAU CITY OF PORTLAND, OREGON</p> <p><i>[Signature]</i> Chief Engineer</p>
	<p>Standard Drawing Title</p> <p>EXTENSION FOR VALVE BOX</p>
<p>Note: All material and workmanship shall be in accordance with City of Portland Standard Construction Specifications.</p>	<p>Effective Date Feb 02 2010</p>
	<p>Calc. Book No. PWB 1</p>
	<p>Standard Drawing No. P-915</p>
<p>Baseline Report Date Feb 02 2010</p>	