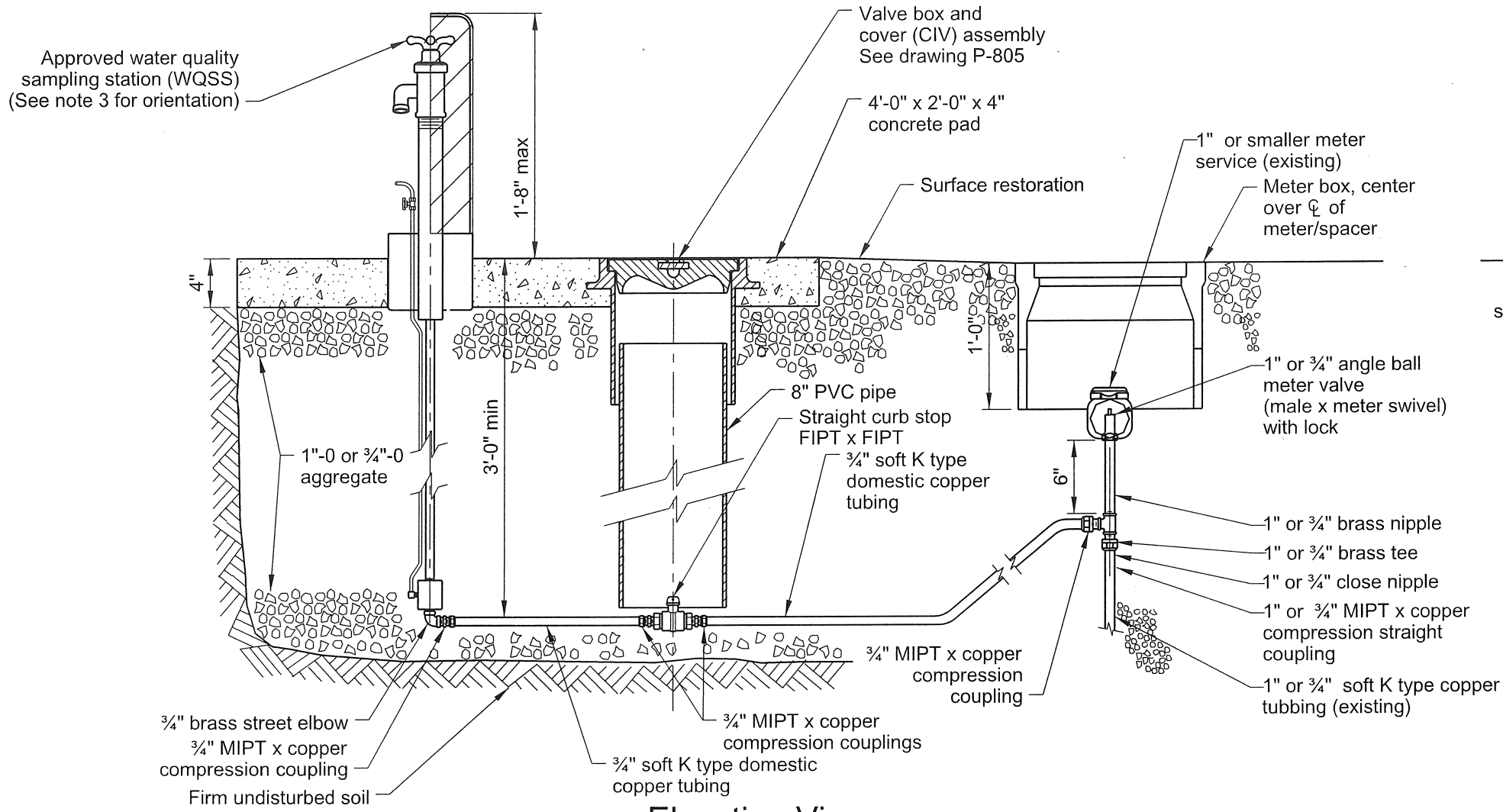
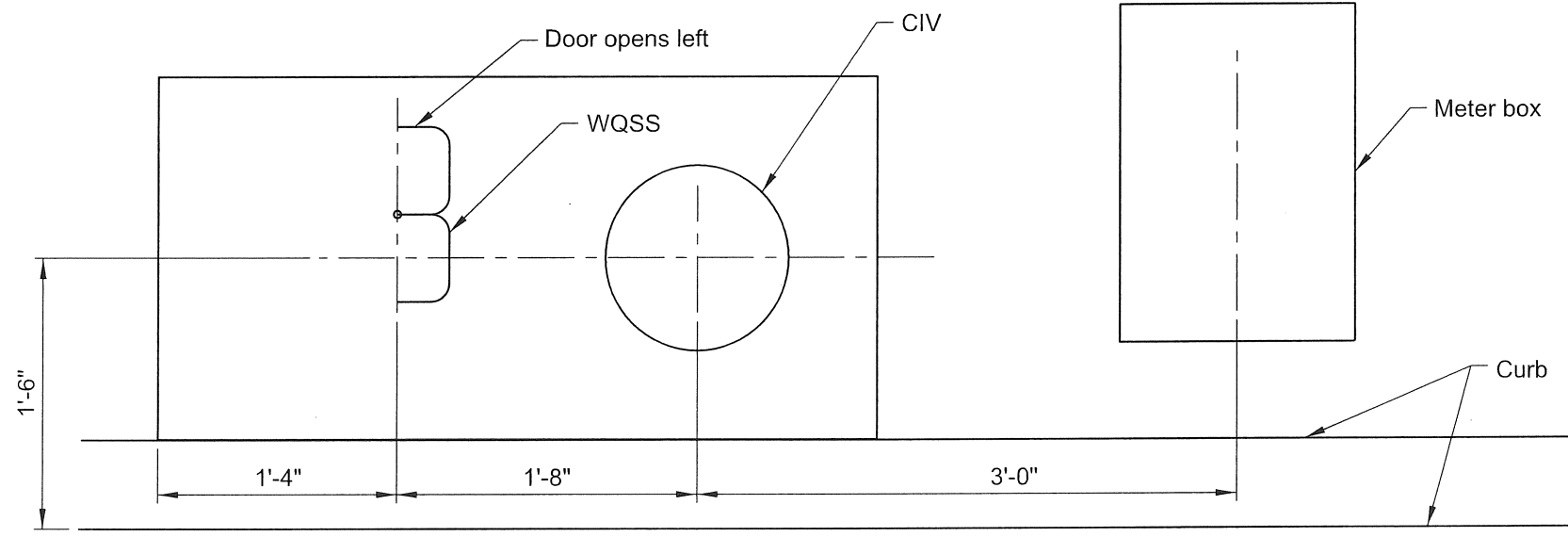


Plot Date: 3/17/2015 11:38:33 AM Filename: J:\Engineering\CAD\Standards\Working\_Detools\_Misc\IP-826\_Sampling\_Station.dgn



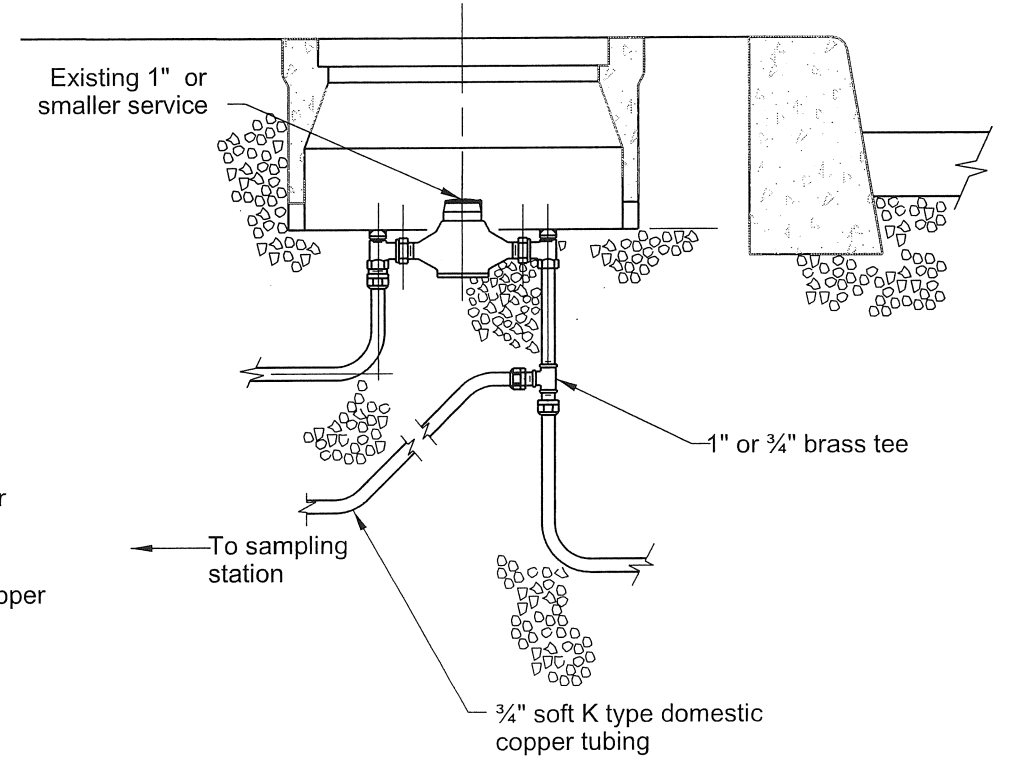
**Elevation View**  
NTS



**Plan View**  
NTS


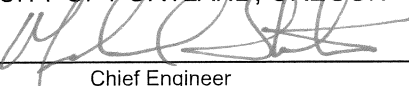
**Notes:**

1. Install concrete pad at all locations. Comply with all ADA requirements if installed in a sidewalk.
2. All fill material shall be compacted and tested according to the City of Portland Standard Construction Specifications.
3. For user safety sampling station door to face 90° from street such that person collecting a sample is facing nearest oncoming traffic when opening door.
4. Paint aluminum base contact surface with tar mastic prior to installing concrete.
5. Connect to existing 1" or  $\frac{3}{4}$ " service with tee before downstream meter valve. Install new compression coupling close nipple and tubing to matching size as needed on service.
6. WQSS shall be Kupferle Eclipse 88 or approved equal.



**Side View**  
NTS

The selection and use of this Standard Drawing, while designed in accordance with generally accepted engineering principles and practices, is the sole responsibility of the user.


**PORTLAND WATER BUREAU**  
 CITY OF PORTLAND, OREGON  
  
 Chief Engineer

Standard Drawing Title

**SAMPLING STATION TAPPED OFF SERVICE**

Note: All material and workmanship shall be in accordance with City of Portland Standard Construction Specifications.	Effective Date	Mar 17 2015	Standard Drawing No.
	Calc. Book No.	PWB 1	
	Baseline Report Date	Mar 17 2015	<b>P-826</b>