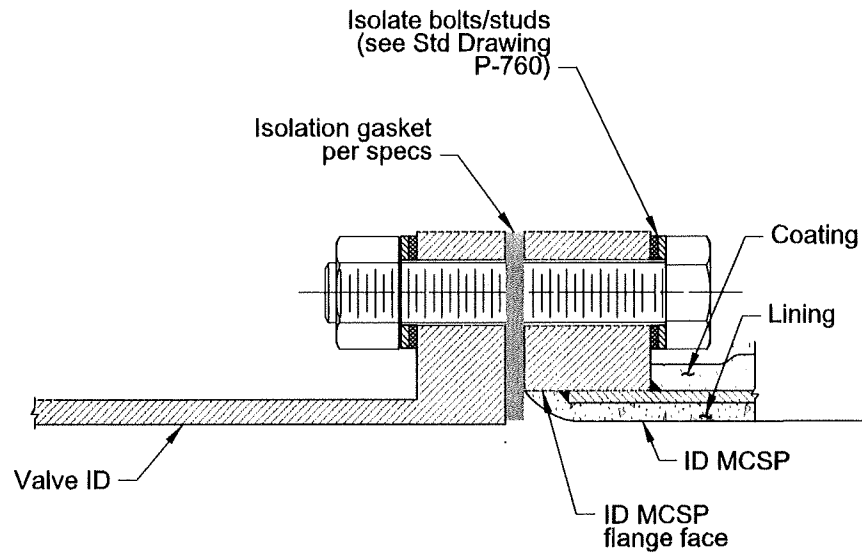
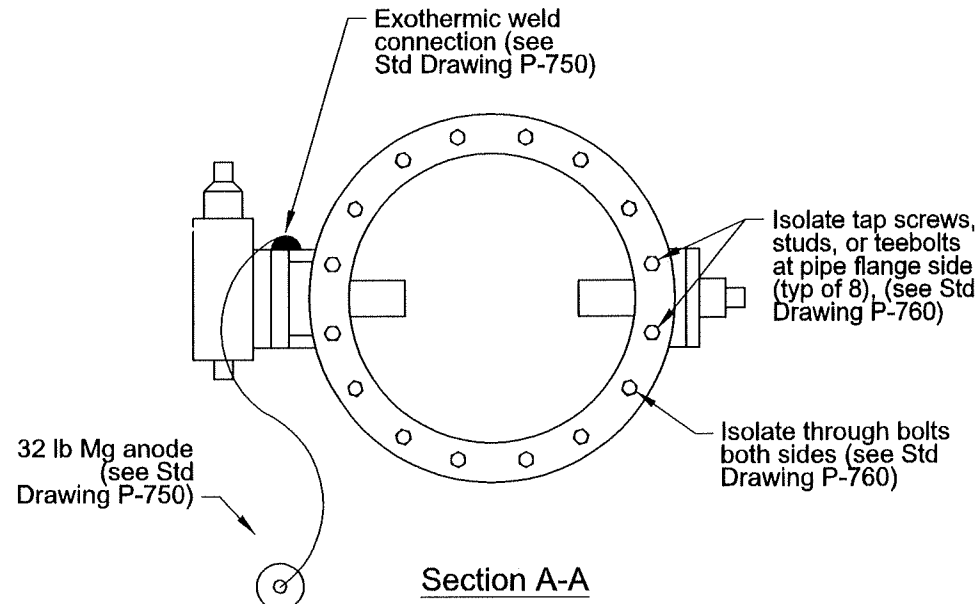
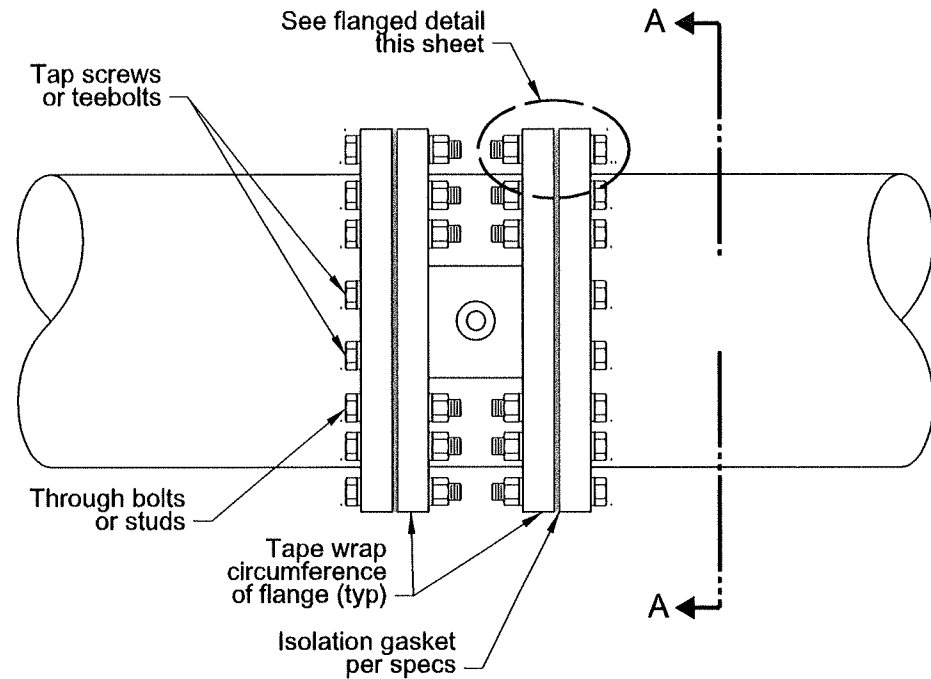
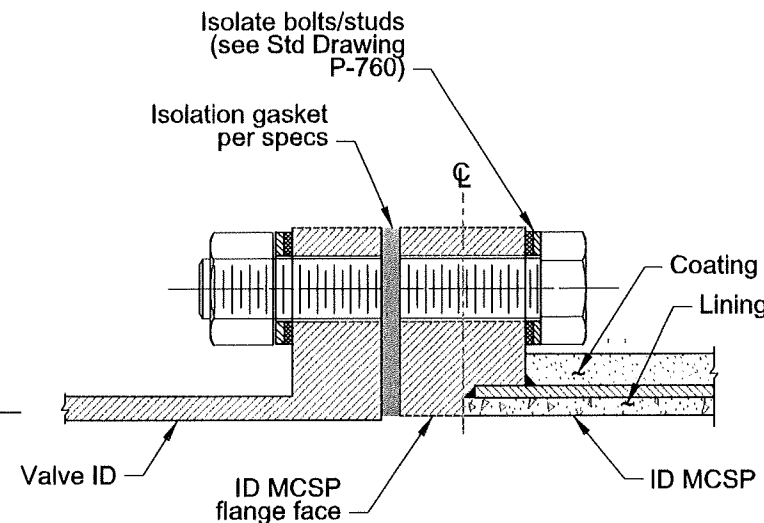


File name: J:\Engineering\CAD Standards\Working Details\Misc\P-775-Dielectric Isolation-Butterfly Valve on MCSP.dgn
 Plot Date: 4/8/2015 10:45:14 AM



Flanged face detail - Slip-on Flange

Full bore standard AWWA E flange for slip-on weld shown, others similar



Flanged face detail - Socket Flange

Partial bore standard AWWA E flange for socket weld shown, others similar

Dielectric Isolation Between Butterfly Valve and MCSP						
Typical Dimensions (in inches)						
Nominal Size Pipe	Valve		Slip-on Flange		Socket Flange	
	OD	ID	OD	ID	OD	ID
4	9	4	9	4 3/4	9	4 1/2
6	11	6	11	8 3/4	11	6 3/4
12	19	12	19	14	19	12 3/4
16	23 1/2	16	23 1/2	18	23 1/2	16 1/4
24	32	24	32	26	32	24 1/4
30	38 3/4	30	38 3/4	32	38 3/4	30 1/4
36	46	36	46	38	46	36 1/4
42	53	42	53	44	53	42 1/4
48	59 1/2	48	59 1/2	50	59 1/2	48 1/4

Notes:

1. Submit fabrication details to include: MCSP OD and ID, valve flange OD and ID, socket/slip-on flange OD and ID, gasket OD and ID, and show number and bulb/rib circle diameter for bulb/rib type gaskets.
2. Show flange thickness and partial bore depth. Socket flange requires E flange or greater flange thickness.
3. Bolt holes shall be drilled oversized to accommodate insulating sleeves.
4. Valve and actuator fusion bonded epoxy coated.
5. Provide isolation joint test station (TS/IJ) with two wire connections to valve and two wire connections to pipe, each side of valve (6) total. See Std Drawings P-765.
6. Dielectric isolation, anodes and test station per Std Drawings P-750, P-760 and P-765.
7. Socket flange typically required for bulb/ribbed type gasket (see note 1).
8. Outlets made with nominal size pipe flange and oversized commercial steel schedule pipe have a prominent large difference in ID between valve flange and slip-on pipe flange (see note 1).

The selection and use of this Standard Drawing, while designed in accordance with generally accepted engineering principles and practices, is the sole responsibility of the user.



PORTLAND WATER BUREAU
CITY OF PORTLAND, OREGON

[Signature]
Chief Engineer

Standard Drawing Title

Dielectric Isolation Between Butterfly Valve and MCSP

Note:
All material and workmanship shall be in accordance with City of Portland Standard Construction Specifications.

Effective Date	April 8, 2015
Calc. Book No.	PWB 1
Baseline Report Date	April 8, 2015

Standard Drawing No.

P-775