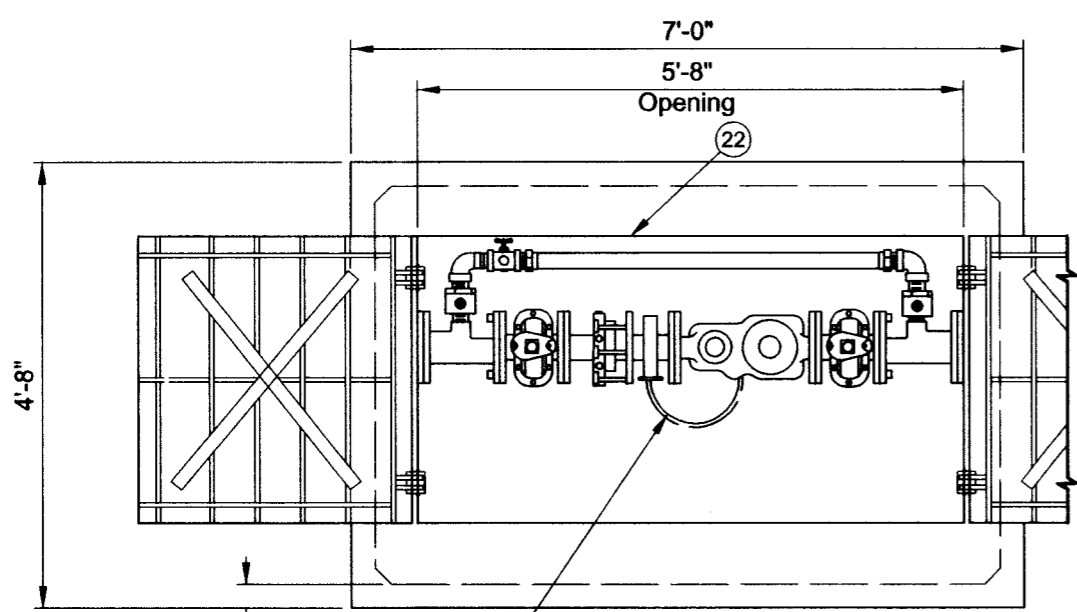
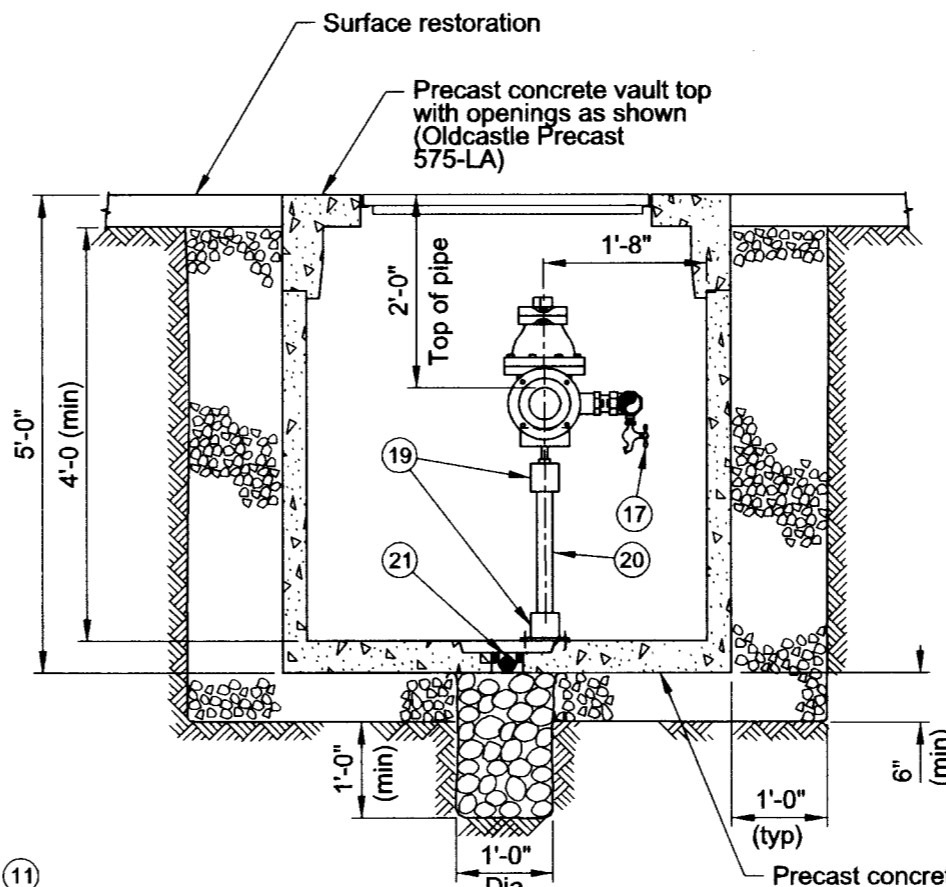


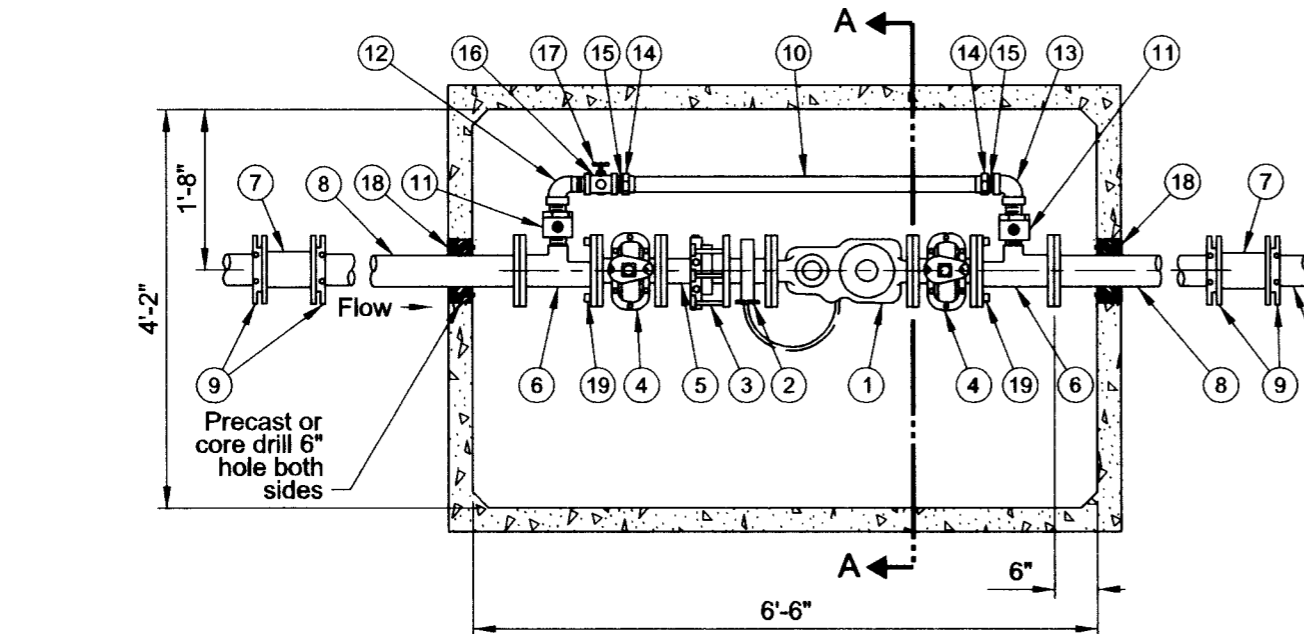
Plot Date: 7/30/2015 3:35:08 PM
 Filename: J:\Engineering\CAD\Standard\Working_Vaults\861_31n.m_21n.bp_575vault_sw.dgn



Vault Top Plan
1/2"=1'-0"



Section A-A
1/2"=1'-0"



Vault Floor Plan
1/2"=1'-0"

List of Parts

Item No	Size	Qty	Description
1	3"	1	Meter, compound with test outlet
2	3"	1	Strainer, FLG x FLG
3	3"	1	Restrained dismantling assembly (Megaflange)
4	3"	2	Gate Valve, FLG x FLG OL NRS
5	3"	1	Nipple, DI FLG X PE 8"-9" long (field fit)
6	4"x3"x2"	2	Drip Tee, FLG x FLG x FIPT
7	4"	2	Solid sleeve, DI MJ
8	4"	2	Nipple, DI FLG X PE ~48" long (field fit)
9	4"	4	Gland, wedge action retainer (Megalug)
10	2"	1	Tubing, copper (field fit)
11	2"	2	Corporation stop, ball valve, MIPT x MIPT
12	2"	1	Street elbow, brass IPT
13	2"	1	Common elbow, brass FIPT x FIPT, 90 degrees
14	2"	2	Coupling, brass FIPT x CC
15	2"	2	Nipple, brass close IPT
16	2"x2"x3/4"	1	Tee, brass FIPT x FIPT
17	3/4"	1	Hose bib, brass MIPT
18	4"	2	Seal, mechanical penetration (Link Seal LS-410-C-7)
19	3"	2	Adjustable pipe support, hot dipped galvanized
20	2"	2	Pipe, galvanized steel (field fit)
21	4"	1	Drain check valve
22	72" x 36"	1	Hatch, galvanized steel double door H-20 rated

Notes:

See General Vault Drawing (P-855) for construction and material notes.

The selection and use of this Standard Drawing, while designed in accordance with generally accepted engineering principles and practices, is the sole responsibility of the user.



[Signature]
Chief Engineer

Standard Drawing Title
**3" Compound Meter with
 2" Bypass in 575 Vault
 (In Sidewalk)**

Note:
 All material and workmanship shall be in accordance with City of Portland Standard Construction Specifications.

Effective Date Aug 17 2015
 Calc. Book No. PWB 1
 Baseline Report Date Aug 17 2015

Standard Drawing No.
P-861