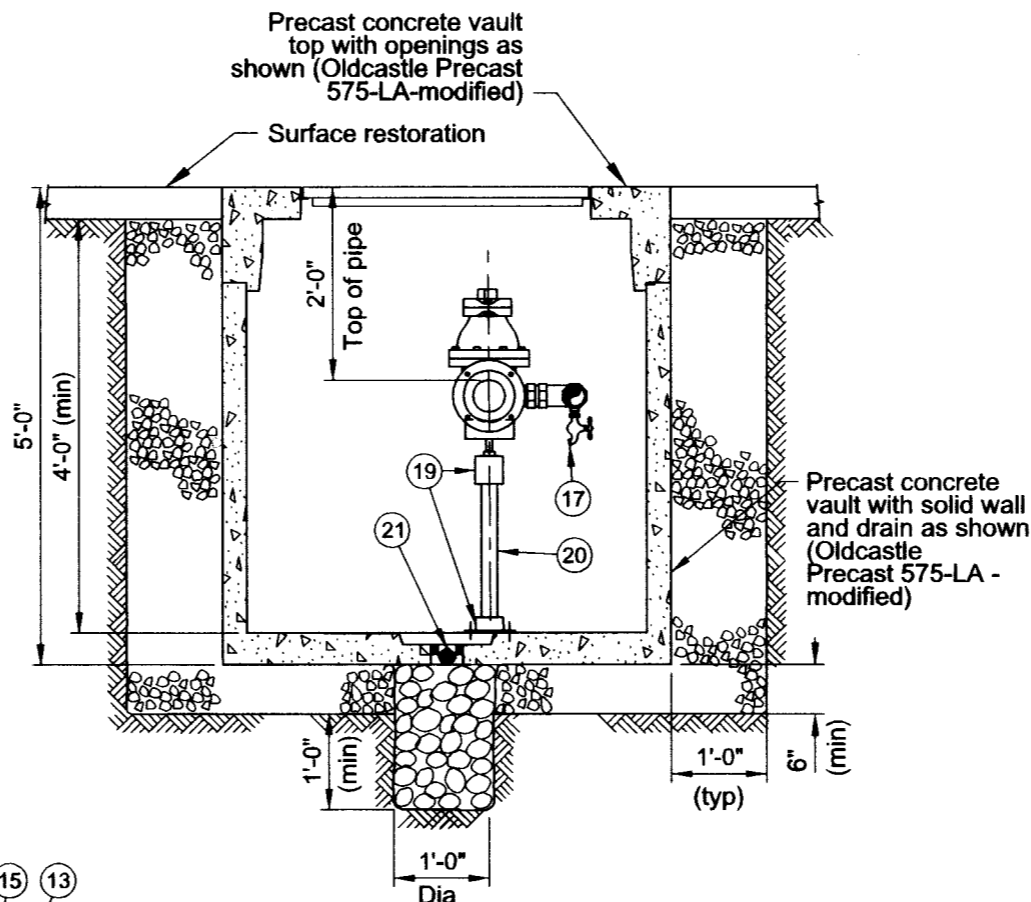
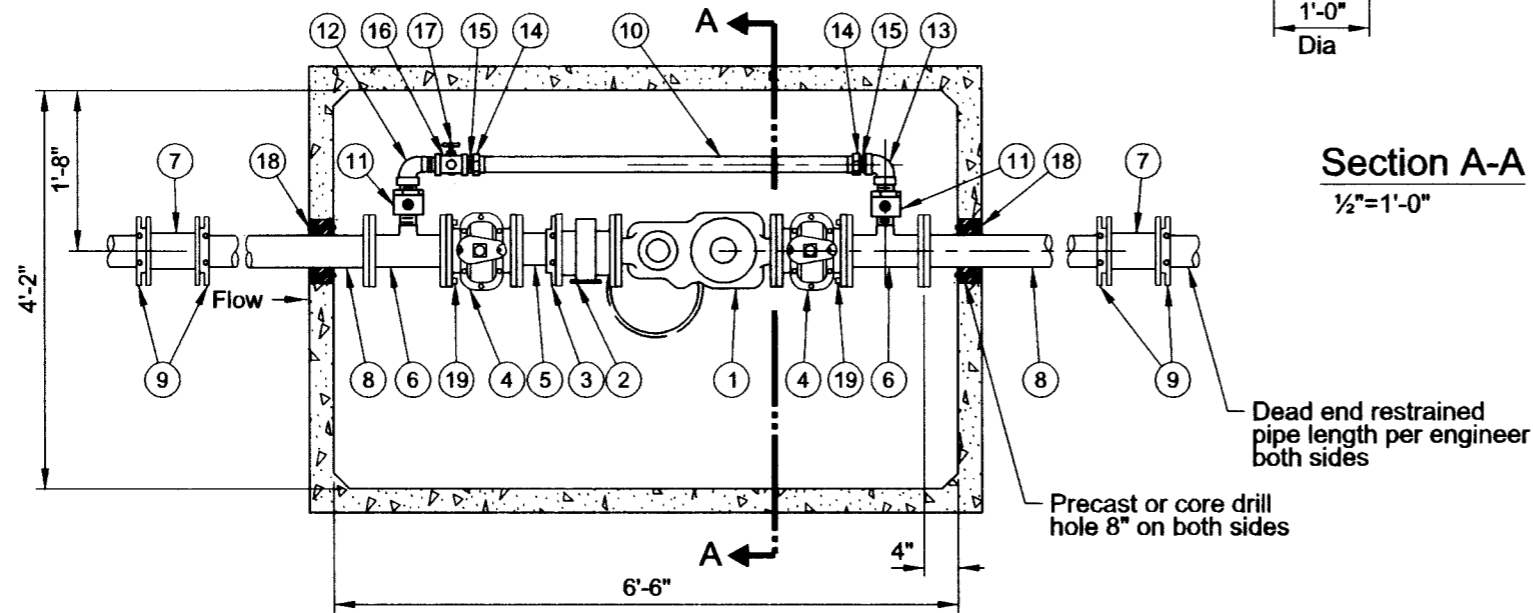


**Vault Top Plan**  
1/2"=1'-0"



**Section A-A**  
1/2"=1'-0"



**Vault Floor Plan**  
1/2"=1'-0"



**List of Parts**

Item No	Size	Qty	Description
1	4"	1	Meter, compound with test outlet
2	4"	1	Strainer, FLG x FLG
3	4"	1	Flange adapter, torque shear set-screw (Uniflange)
4	4"	2	Gate Valve, FLG x FLG OL
5	4"	1	Nipple, DI FLG x PE 8"-9" long (field fit)
6	4"x4"x2"	2	Drip Tee, FLG x FLG x FIPT
7	4"	2	Solid sleeve, DI MJ
8	4"	2	Nipple, DI FLG X PE 48" long (field fit)
9	4"	4	Gland, wedge action retainer (Megalug)
10	2"	1	Tubing, copper (field fit)
11	2"	2	Corporation stop, ball valve, MIPT x MIPT
12	2"	1	Street elbow, brass IPT
13	2"	1	Common elbow, brass FIPT x FIPT, 90 degrees
14	2"	2	Coupling, brass FIPT x CC
15	2"	2	Nipple, brass close IPT
16	2"x2"x3/4"	1	Tee, brass FIPT x FIPT
17	3/4"	1	Hose bib, brass MIPT
18	4"	2	Seal, mechanical penetration (Link Seal LS-410-C-7)
19	4"	2	Adjustable pipe support, hot-dipped galvanized
20	2"	2	Pipe, galvanized steel (field fit)
21	4"	1	Drain check valve
22	72" x 36"	1	Hatch, galvanized steel double door H-20 rated

**Notes:**

1. See General Vault Drawing (P-855) for construction and material notes.
2. No full dismantling assembly, flange adapter only.

The selection and use of this Standard Drawing, while designed in accordance with generally accepted engineering principles and practices, is the sole responsibility of the user.


**PORTLAND WATER BUREAU**  
 CITY OF PORTLAND, OREGON  
  
 Chief Engineer

Standard Drawing Title  
**4" Compound Meter with 2" Bypass in 575 Vault (In Sidewalk)**

Note:  
 All material and workmanship shall be in accordance with City of Portland Standard Construction Specifications.

Effective Date	Aug 17 2015	Standard Drawing No. <b>P-866</b>
Calc. Book No.	PWB 1	
Baseline Report Date	Aug 17 2015	