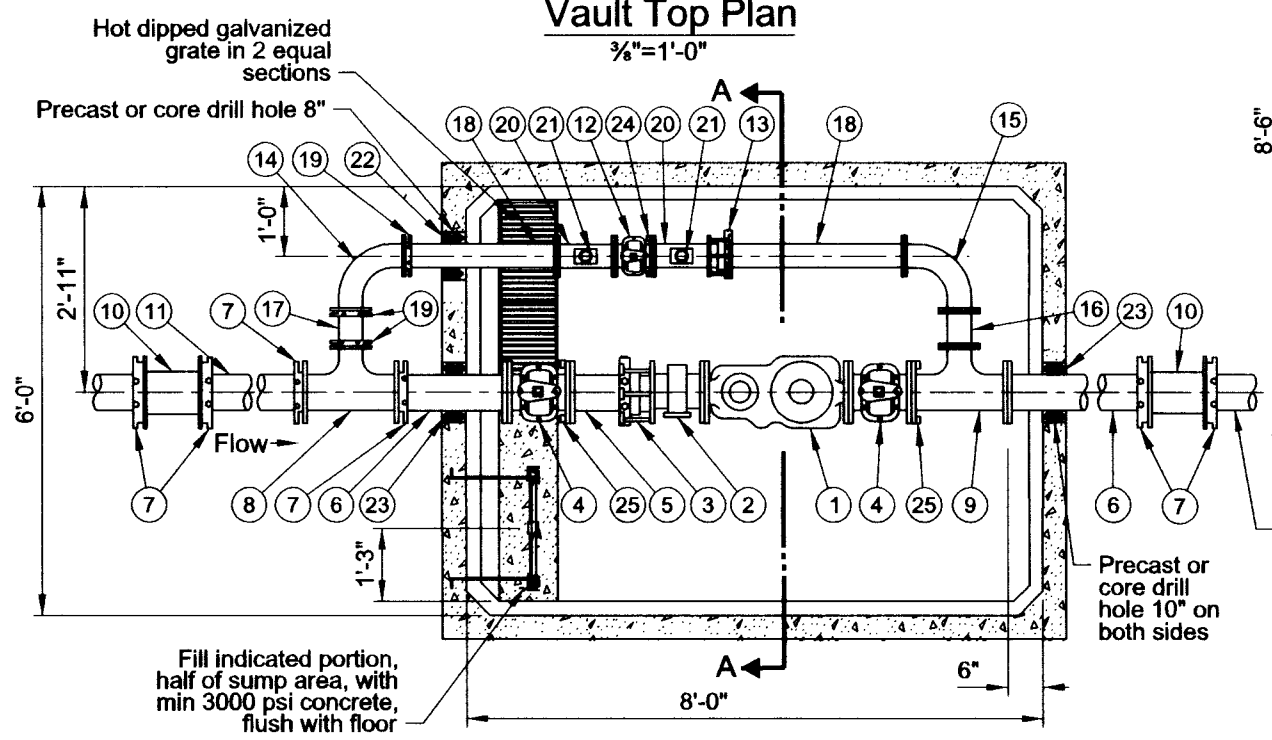
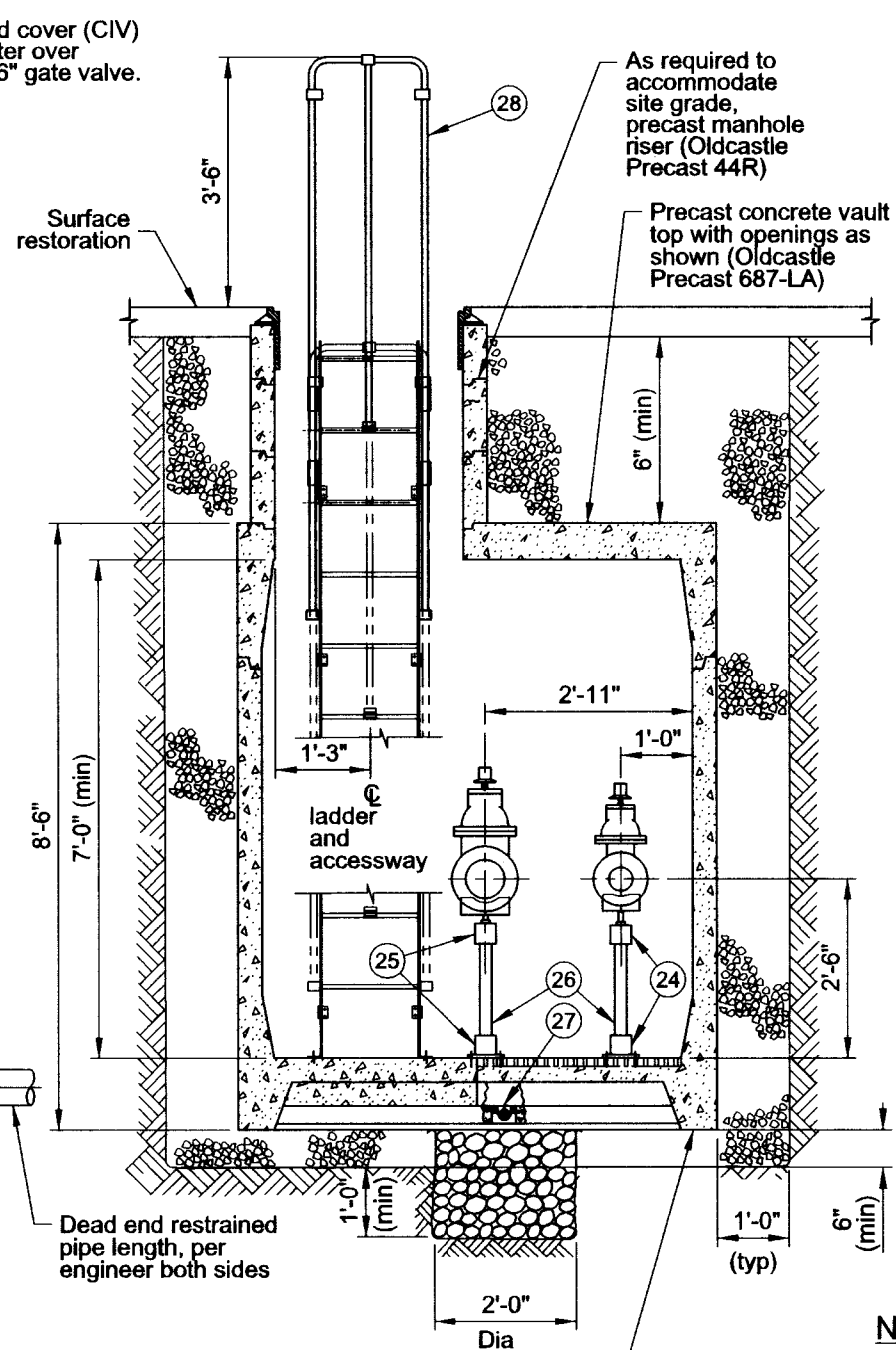


**Vault Top Plan**  
3/8"=1'-0"




**Vault Floor Plan**  
3/8"=1'-0"



**Section A-A**  
3/8"=1'-0"

List of Parts			
Item No	Size	Qty	Description
1	6"	1	Meter, compound with test outlet
2	6"	1	Strainer, FLG x FLG
3	6"	1	Restrained dismantling assembly (MegaFlange)
4	6"	2	Gate Valve, FLG x FLG OL
5	6"	1	Nipple, DI FLG x PE 8"-9" long (field fit)
6	6"	2	Nipple, DI FLG x PE 36" long (field fit)
7	6"	6	Gland, wedge action retainer (Megalug)
8	6"x6"x4"	2	Tee, DI MJ x MJ
9	6"x6"x4"	1	Tee, DI FLG x FLG
10	6"	2	Solid sleeve, DI MJ
11	6"	1	Nipple, DI PE x PE 36" long (field fit)
12	4"	1	Gate valve, FLG x FLG OL
13	4"	1	Restrained dismantling assembly (MegaFlange)
14	4"	1	Bend, DI MJ long radius 90 degrees
15	4"	1	Bend, DI FLG long radius 90 degrees
16	4"	1	Spool, DI FLG x FLG 6" long
17	4"	1	Nipple, DI PE x PE 8"-9" long (field fit)
18	4"	2	Nipple, DI FLG x PE 36" long (field fit)
19	4"	3	Gland, wedge action retainer (Megalug)
20	4"x4"x2"	2	Drip tee, FLG x FLG x FIPT
21	2"	2	Gate Valve, brass with plug
22	4"	1	Seal, mechanical penetration (Link Seal LS-410-C-7)
23	6"	2	Seal, mechanical penetration (Link Seal LS-410-C-10)
24	4"	1	Adjustable pipe support, hot dipped galvanized
25	6"	2	Adjustable pipe support, hot dipped galvanized
26	2"	3	Pipe, galvanized steel (field fit)
27	4"	1	Drain check valve
28		1	Ladder, galv steel with aluminum extension (field fit) (Oldcastle Precast)
29	30"	1	Manhole frame and cover, 30" true opening

**Notes:**  
1. See General Vault Detail (P-855) for construction and material notes.

<p>The selection and use of this Standard Drawing, while designed in accordance with generally accepted engineering principles and practices, is the sole responsibility of the user.</p>	 <p>PORTLAND WATER BUREAU CITY OF PORTLAND, OREGON</p> <p><i>[Signature]</i> Chief Engineer</p>	
	<p>Standard Drawing Title</p> <p><b>6" Compound Meter with 4" Bypass in 6-8-7 Vault (In Street)</b></p>	
<p>Note: All material and workmanship shall be in accordance with City of Portland Standard Construction Specifications.</p>	Effective Date	Aug 17 2015
	Calc. Book No.	PWB 1
	Baseline Report Date	Aug 17 2015
		Standard Drawing No.
		<b>P-869</b>

Plot Date: 7/31/2015 7:37:45 AM  
 Filename: J:\Engineering\CAD\Standards\Working\_Vaults\_869\_6mm\_2lmb\_687\_str.dgn