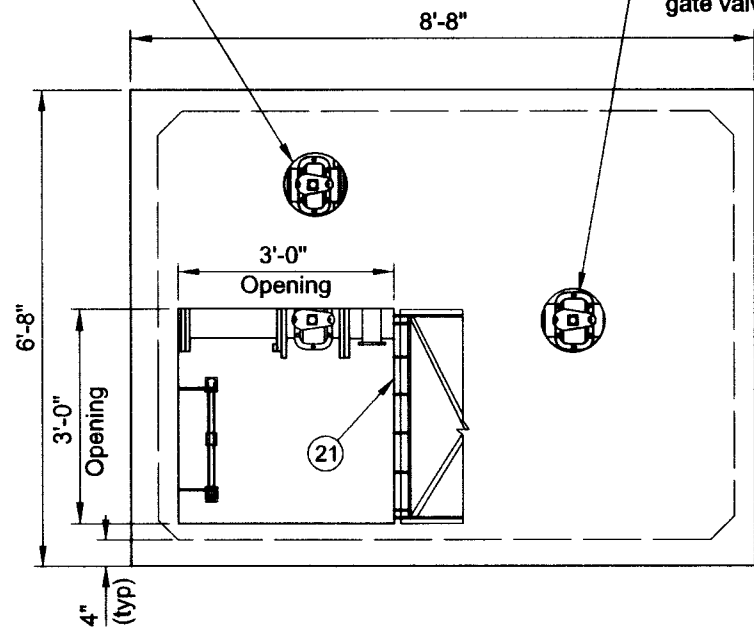
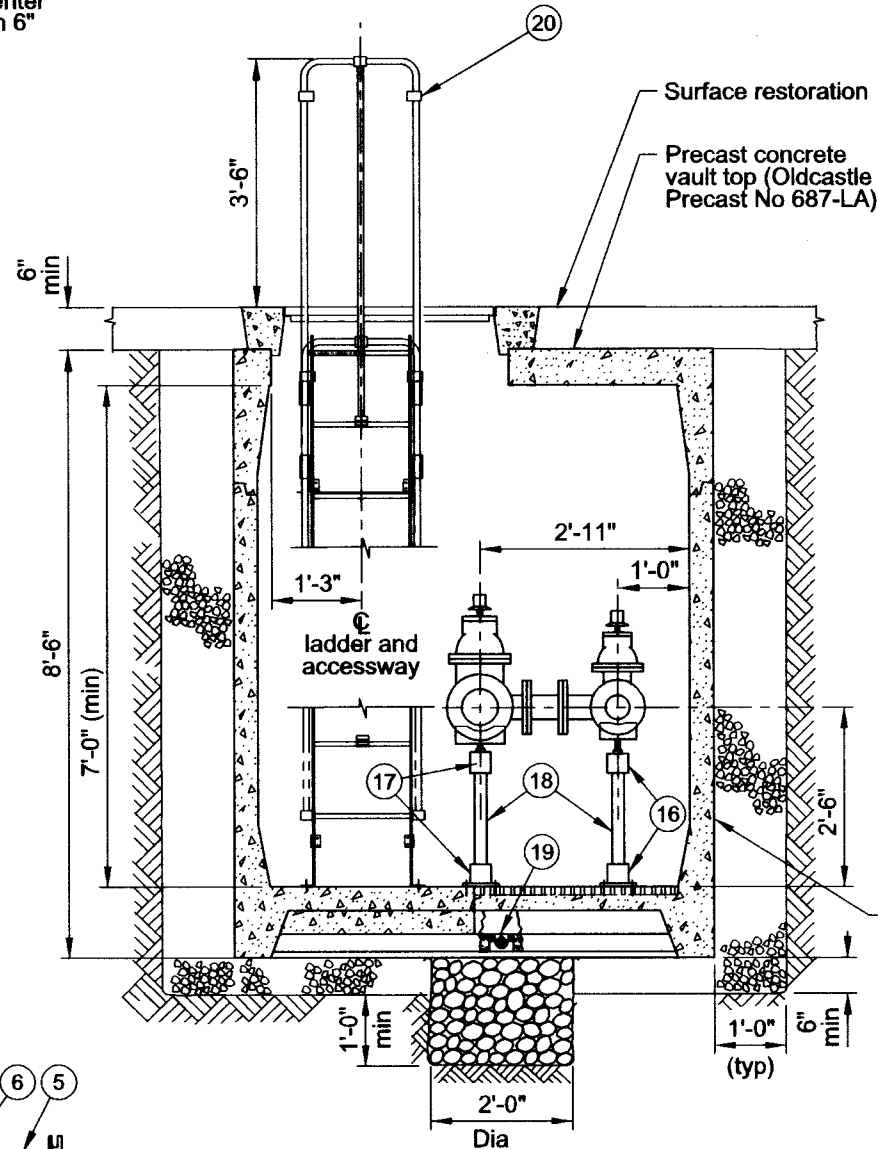


Valve box and cover (CIV) field core and center over 6" gate valve.

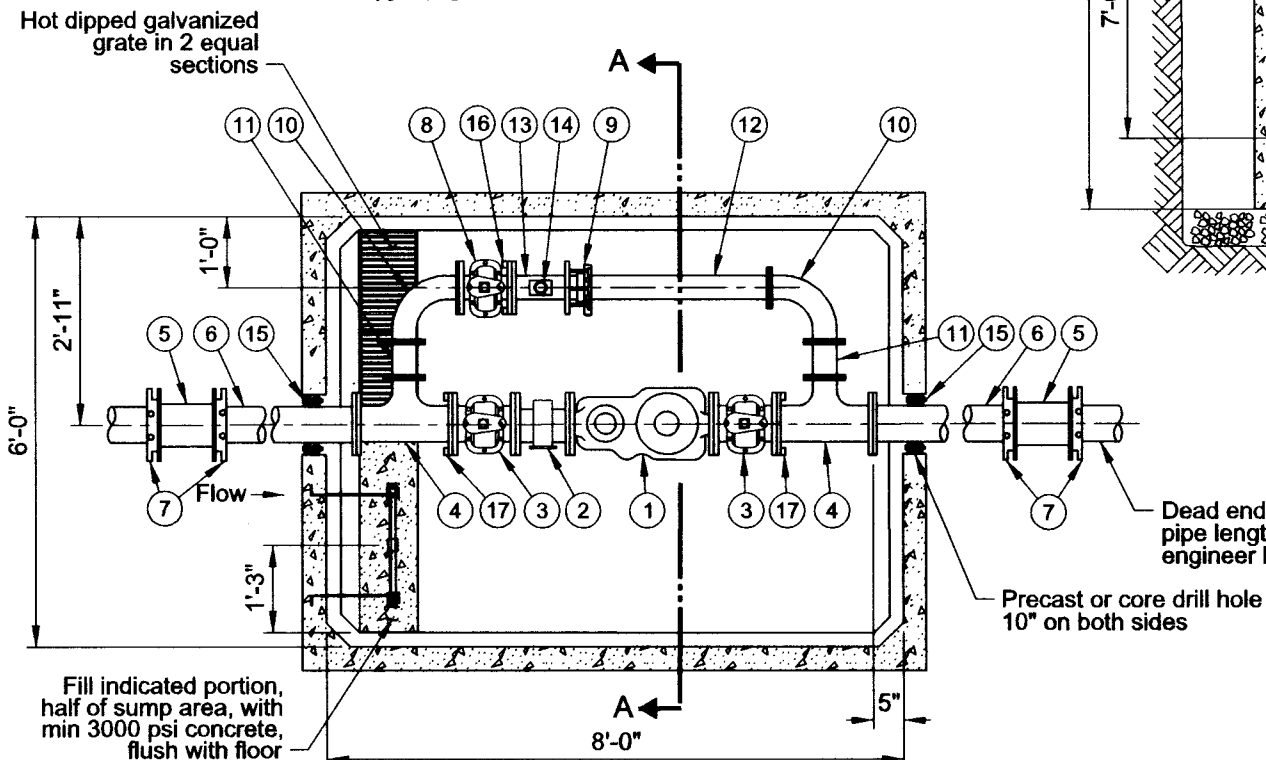
Valve box and cover (CIV) core and center over down stream 6" gate valve.



Vault Top Plan
3/8"=1'-0"



Section A-A
3/8"=1'-0"



Vault Floor Plan
3/8"=1'-0"

| List of Parts | | | |
|---------------|-----------|-----|--|
| Item No | Size | Qty | Description |
| 1 | 6" | 1 | Meter, compound with test outlet |
| 2 | 6" | 1 | Strainer, FLG x FLG |
| 3 | 6" | 2 | Gate Valve, FLG x FLG OL |
| 4 | 6"x6"x4" | 2 | Tee, DI FLG x FLG |
| 5 | 6" | 2 | Solid sleeve, DI MJ |
| 6 | 6" | 2 | Nipple, DI FLG X PE 48" long (field fit) |
| 7 | 6" | 4 | Gland, wedge action retainer (Megalug) |
| 8 | 4" | 1 | Gate valve, FLG x FLG OL |
| 9 | 4" | 1 | Restrained dismantling assembly (MegaFlange) |
| 10 | 4" | 2 | Bend, DI FLG long radius 90 deg |
| 11 | 4" | 2 | Spool, DI FLG 6" long |
| 12 | 4" | 1 | Nipple, DI FLG X PE 36" long (field fit) |
| 13 | 4"x4"x2" | 1 | Drip tee, FLG x FLG x FIPT |
| 14 | 2" | 1 | Gate valve, brass with plug |
| 15 | 6" | 2 | Seal, mechanical penetration (Link Seal LS-410-C-10) |
| 16 | 4" | 1 | Adjustable pipe support, hot dipped galvanized |
| 17 | 6" | 2 | Adjustable pipe support, hot dipped galvanized |
| 18 | 2" | 3 | Pipe, galvanized steel (field fit) |
| 19 | 4" | 1 | Drain check valve |
| 20 | | 1 | Ladder, galv steel with aluminum extension (field fit) (Oldcastle Precast) |
| 21 | 3-0"x3-0" | 1 | Hatch, aluminum single leaf H-20 rated with hold open arm |

Notes:

1. See General Vault Detail (P-855) for construction and material notes.
2. No dismantling assembly - space constraint. Space constraint may be addressed by meter with integral strainer.

The selection and use of this Standard Drawing, while designed in accordance with generally accepted engineering principles and practices, is the sole responsibility of the user.



PORTLAND WATER BUREAU
CITY OF PORTLAND, OREGON

[Signature]
Chief Engineer

Standard Drawing Title

**6" Compound Meter with
4" Bypass in 6-8-7 Vault
(In Sidewalk)**

Note:
All material and workmanship shall be in accordance with City of Portland Standard Construction Specifications.

Effective Date Aug 17 2015

Calc. Book No. PWB 1

Baseline Report Date Aug 17 2015

Standard Drawing No.

P-870b