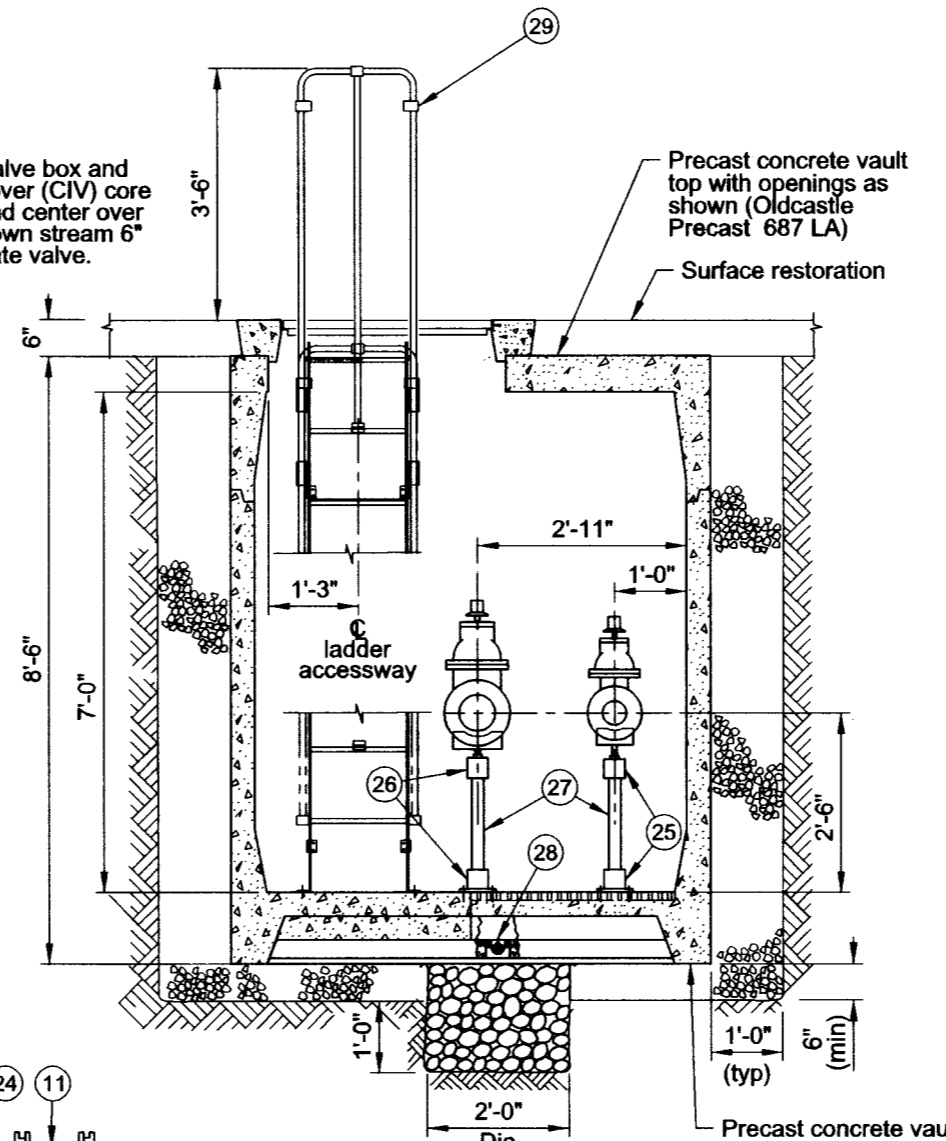
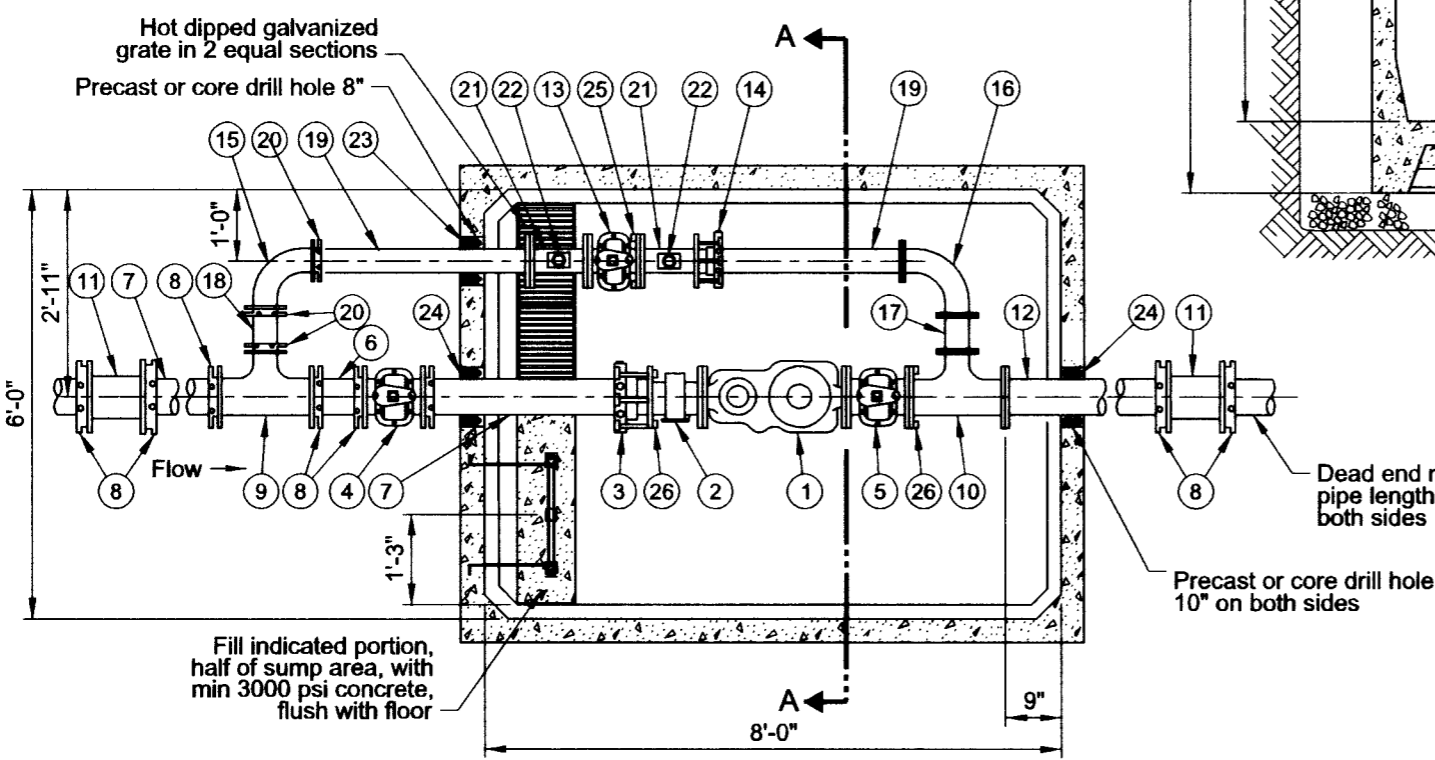


Vault Top Plan
3/8"=1'-0"



Section A-A
3/8"=1'-0"




Vault Floor Plan
3/8"=1'-0"

List of Parts			
Item No	Size	Qty	Description
1	6"	1	Meter, compound with test outlet
2	6"	1	Strainer, FLG x FLG
3	6"	1	Restrained dismantling assembly (MegaFlange)
4	6"	1	Gate valve, MJ x MJ OL
5	6"	1	Gate valve, FLG x FLG OL
6	6"	1	Nipple, DI PE X PE 8"-9" long (field fit)
7	6"	2	Nipple, DI PE X PE 36" long (field fit)
8	6"	8	Gland, wedge action retainer (Megalug)
9	6"x6"x4"	1	Tee, DI MJ x MJ
10	6"x6"x4"	1	Tee, DI FLG x FLG
11	6"	2	Solid sleeve, DI MJ
12	6"	1	Nipple, DI FLG X PE 48" long (field fit)
13	4"	1	Gate valve, FLG x FLG OL
14	4"	1	Restrained dismantling assembly (MegaFlange)
15	4"	1	Bend, DI MJ long radius 90 degrees
16	4"	1	Bend, DI FLG long radius 90 degrees
17	4"	1	Spool, DI FLG x FLG 6" long
18	4"	1	Nipple, DI PE X PE 8"-9" long (field fit)
19	4"	2	Nipple, DI FLG X PE 36" long (field fit)
20	4"	3	Gland, wedge action retainer (Megalug)
21	4"x4"x2"	2	Drip tee, FLG x FLG x FIPT
22	2"	2	Gate Valve, brass with plug
23	4"	1	Seal, mechanical penetration (Link Seal LS-410-C-7)
24	6"	2	Seal, mechanical penetration (Link Seal LS-410-C-10)
25	4"	1	Adjustable pipe support, hot dipped galvanized
26	6"	2	Adjustable pipe support, hot dipped galvanized
27	2"	3	Pipe, galvanized steel (field fit)
28	4"	1	Drain check valve
29		1	Ladder, galv steel with aluminum extension (field fit) (Oldcastle Precast)
30	3'-0"x3'-0"	1	Hatch, aluminum single leaf H-20 rated with hold open arm

Notes:

1. See General Vault Detail (P-855) for construction and material notes.

<p>The selection and use of this Standard Drawing, while designed in accordance with generally accepted engineering principles and practices, is the sole responsibility of the user.</p>	 <p>PORTLAND WATER BUREAU CITY OF PORTLAND, OREGON</p> <p><i>[Signature]</i> Chief Engineer</p>	
	<p>Standard Drawing Title</p> <p>6" Compound Meter with 4" Bypass in 6-8-7 Vault (In Sidewalk)</p>	
<p>Note: All material and workmanship shall be in accordance with City of Portland Standard Construction Specifications.</p>	Effective Date	Aug 17 2015
	Calc. Book No.	PWB 1
	Baseline Report Date	Aug 17 2015
		Standard Drawing No.
		P-870c

Plot Date: 7/31/2015 9:37:15 AM
 Filename: J:\Engineering\CAD Standards\Working_Vaults\870c_6im_4im_687_swk.dgn