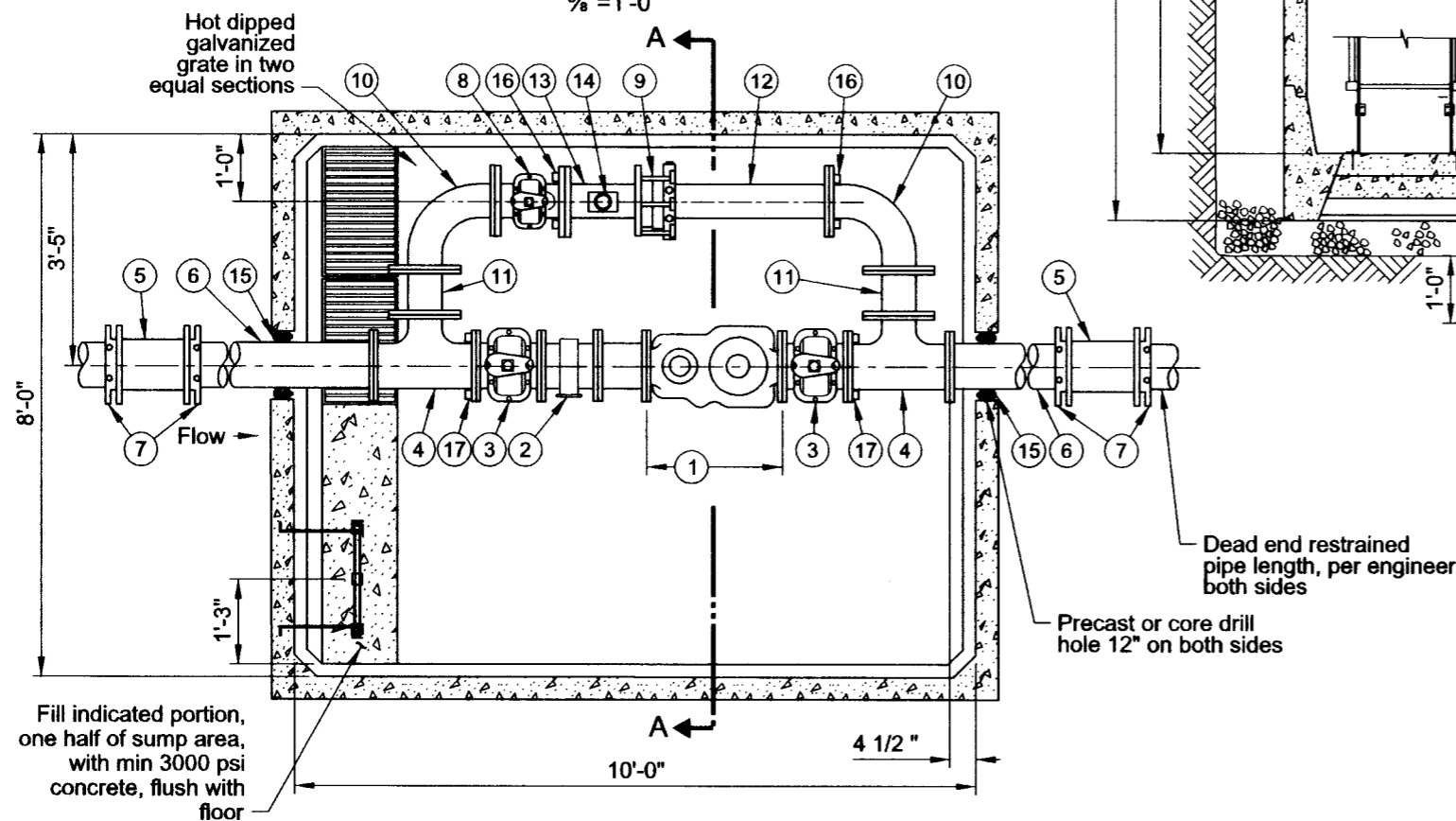


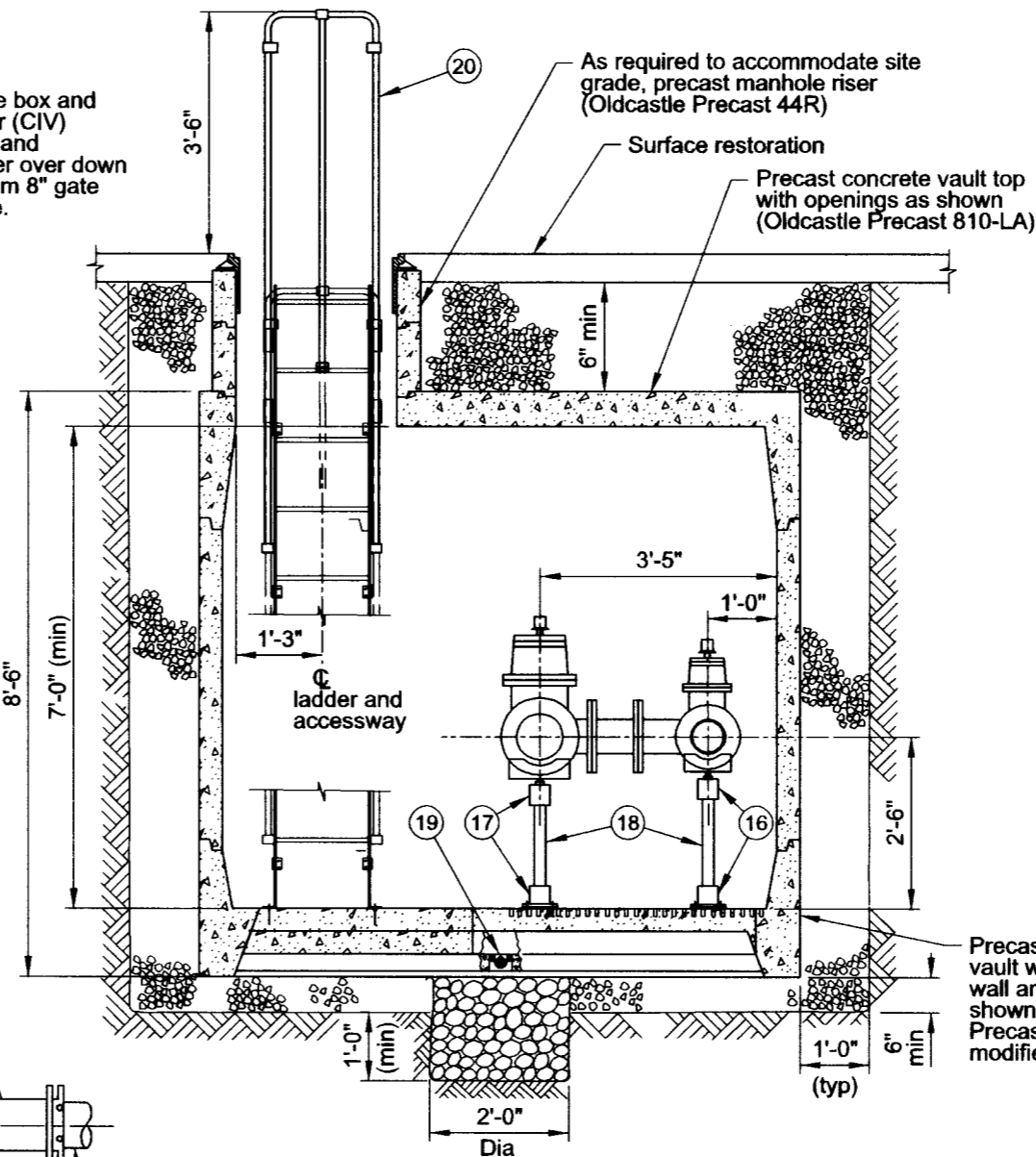
Vault Top Plan

3/8"=1'-0"



Vault Floor Plan

3/8"=1'-0"



Section A-A

3/8"=1'-0"

List of Parts			
Item No	Size	Qty	Description
1	8"	1	Meter, Compound with test outlet
2	8"	1	Strainer
3	8"	2	Gate valve, FLG x FLG OL
4	8"x8"x6"	2	Tee, DI FLG x FLG
5	8"	2	Solid sleeve, DI MJ
6	8"	2	Nipple, DI FLG x PE 48" long (field fit)
7	8"	4	Gland, wedge action retainer (Megalug)
8	6"	1	Gate valve, FLG x FLG OL
9	6"	1	Restrained dismantling assembly (MegaFlange)
10	6"	2	Bend, DI FLG long radius 90 degrees
11	6"	2	Spool, DI FLG x FLG 8"-9" long
12	6"	1	Nipple, DI FLG x PE 36" long (field fit)
13	6"x6"x2"	1	Drip tee, FLG X FLG x FIPT
14	2"	1	Gate valve, brass with plug
15	8"	2	Seal mechanical penetration (LinkSeal LS-400-C-9)
16	6"	2	Adjustable pipe support, Hot-dipped galvanized
17	8"	2	Adjustable pipe support, Hot-dipped galvanized
18	2"	4	Pipe, galvanized steel (field fit)
19	4"	1	Drain check valve
20		1	Ladder, galvanized steel with aluminum extension (field fit) (Oldcastle Precast)
21	30"	1	Manhole frame and cover, 30" true opening

Notes:

1. See General Vault Detail (P-855) for construction and material notes.
2. No dismantling assembly - space constraint. Space constraint may be addressed by meter with integral strainer.

Plot Date: 7/31/2015 10:08:05 AM
 File Name: J:\Engineer\Ing\CAD\Standards\Working_Vaults\871b_81mm_61mby_8101_str.dgn

The selection and use of this Standard Drawing, while designed in accordance with generally accepted engineering principles and practices, is the sole responsibility of the user.



PORTLAND WATER BUREAU
CITY OF PORTLAND OREGON

[Signature]
Chief Engineer

Standard Drawing Title

**8" Compound meter with
6" Bypass in 8-10-7 Vault
(In Street)**

Note:
All material and workmanship shall be in accordance with City of Portland Standard Construction Specifications.

Effective Date Aug 17 2015

Calc. Book No. PWB 1

Baseline Report Date Aug 17 2015

Standard Drawing No.

P-871b