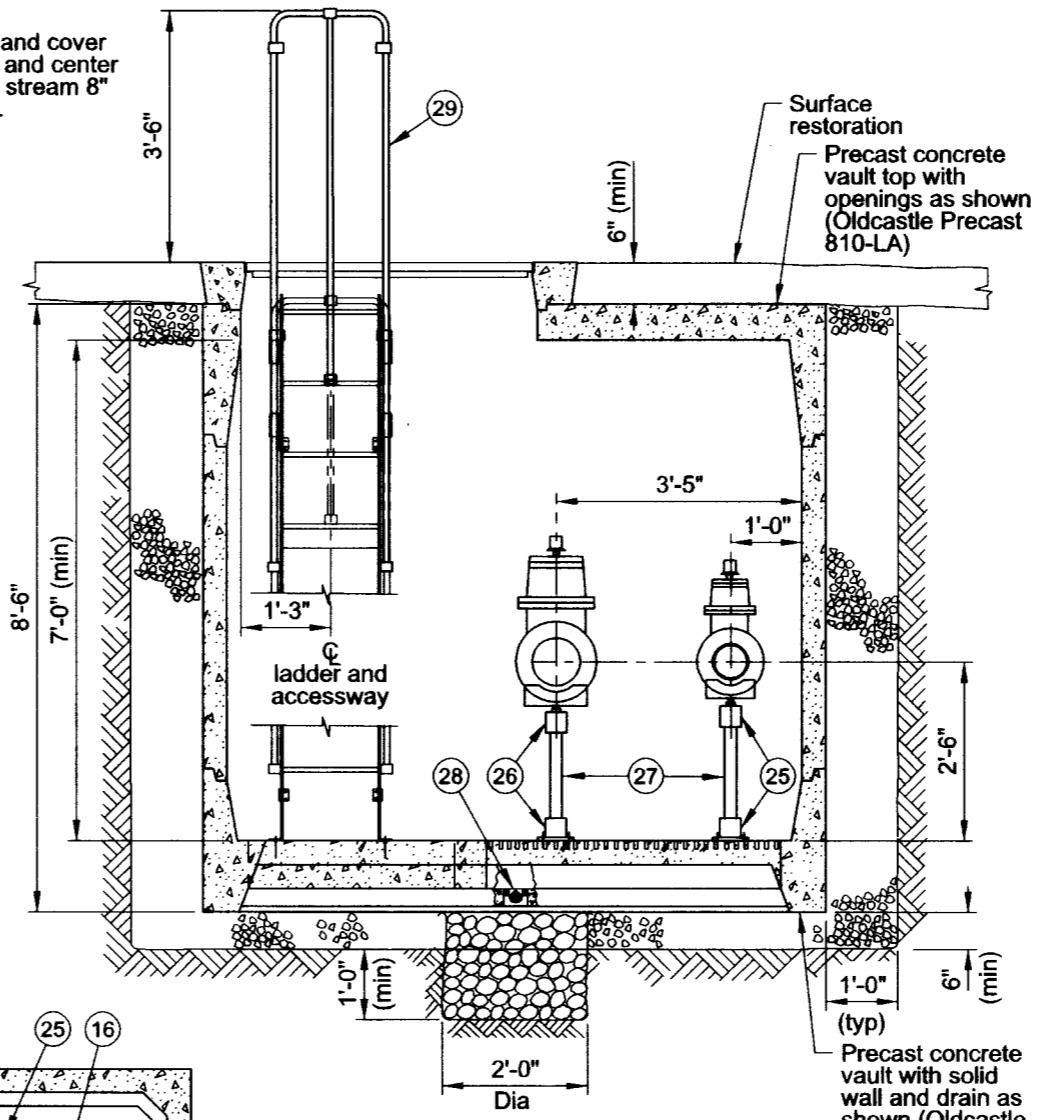
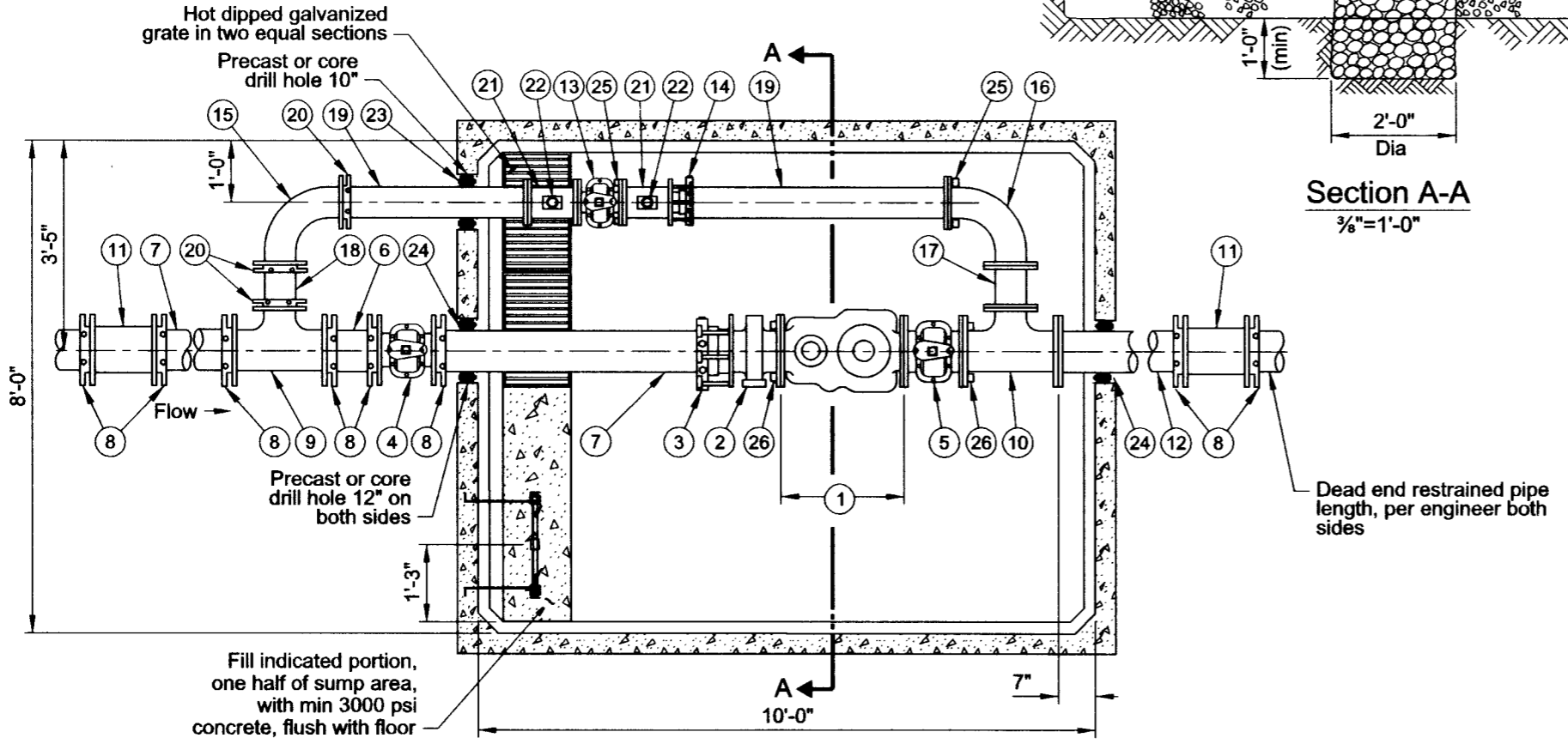


Vault Top Plan
3/8"=1'-0"



Section A-A
3/8"=1'-0"



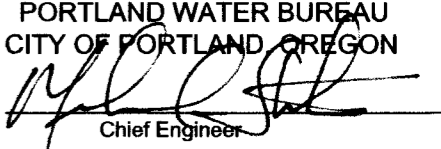
Vault Floor Plan
3/8"=1'-0"

List of Parts			
Item No	Size	Qty	Description
1	8"	1	Compound meter with test outlet
2	8"	1	Strainer
3	8"	1	Restrained dismantling assembly (MegaFlange)
4	8"	1	Gate valve, MJ x MJ OL
5	8"	2	Gate valve, FLG x FLG OL
6	8"	1	Nipple, DI PE X PE 8"-9" long (field fit)
7	8"	2	Nipple, DI PE X PE 48" long (field fit)
8	8"	8	Gland, wedge action retainer (Megalug)
9	8"x8"x6"	1	Tee, DI MJ x MJ
10	8"x8"x6"	2	Tee, DI FLG x FLG
11	8"	2	Solid sleeve, DI MJ
12	8"	1	Nipple, DI FLG x PE 48" long (field fit)
13	6"	1	Gate valve, FLG x FLG OL
14	6"	1	Restrained dismantling assembly (MegaFlange)
15	6"	1	Bend, DI MJ long radius 90 degrees
16	6"	1	Bend, DI FLG long radius 90 degrees
17	6"	1	Spool, DI FLG 6" long
18	6"	1	Nipple, DI PE x PE 8"- 9" long (field fit)
19	6"	2	Nipple, DI FLG x PE 48" long (field fit)
20	6"	3	Gland, wedge action retainer (Megalug)
21	6" x 2"	2	Drip tee, FLG x FLG x FIPT
22	2"	2	Gate valve, brass with plug
23	6"	1	Seal mechanical penetration (Linkseal LS-410-C-10)
24	8"	2	Seal mechanical penetration (Linkseal LS-400-C-9)
25	6"	2	Adjustable pipe support, Hot-dipped galvanized
26	8"	2	Adjustable pipe support, Hot-dipped galvanized
27	2"	4	Pipe, galvanized steel (field fit)
28	4"	1	Drain check valve
29		1	Ladder, galvanized steel with aluminum extension (field fit) (Oldcastle Precast)
30	4'-0" x 4'-0"	1	Hatch, aluminum double leaf H-20 rated with hold open arm

Notes:

- See General Vault Detail (P-855) for construction and material notes.

The selection and use of this Standard Drawing, while designed in accordance with generally accepted engineering principles and practices, is the sole responsibility of the user.


PORTLAND WATER BUREAU
 CITY OF PORTLAND, OREGON

 Chief Engineer

Standard Drawing Title		Standard Drawing No. P-872c
Effective Date	Aug 17 2015	
Calc. Book No.	PWB 1	
Baseline Report Date		Aug 17 2015

Note: All material and workmanship shall be in accordance with City of Portland Standard Construction Specifications.

Plot Date: 8/4/2015 9:19:28 AM
 Filename: J:\Engineering\CAD\Standards\Working_Vaults\872c-81mm_61mby_8107_skw.dgn