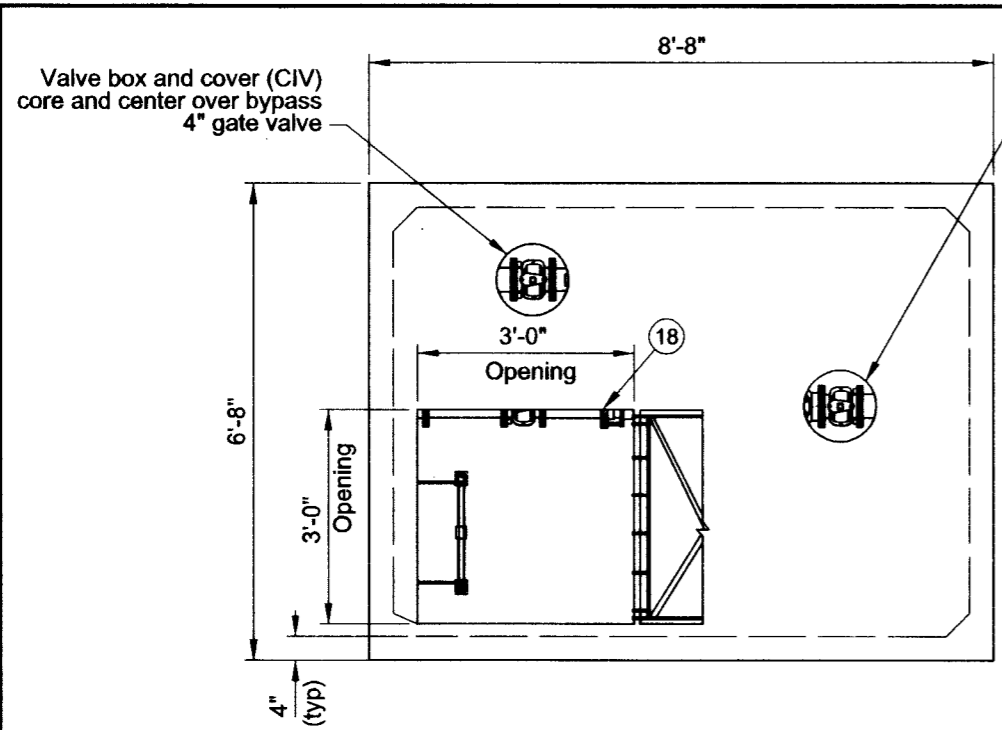
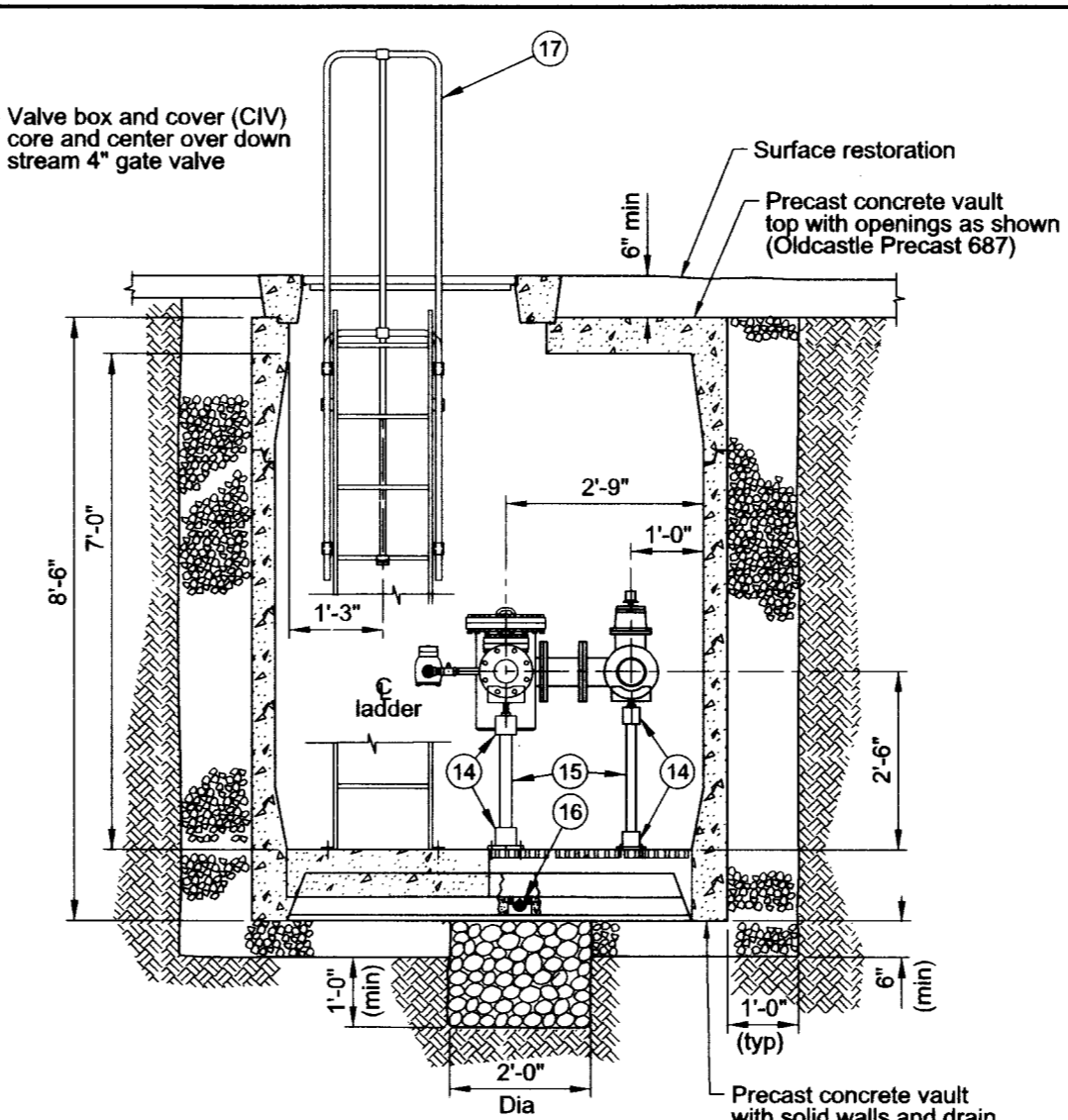


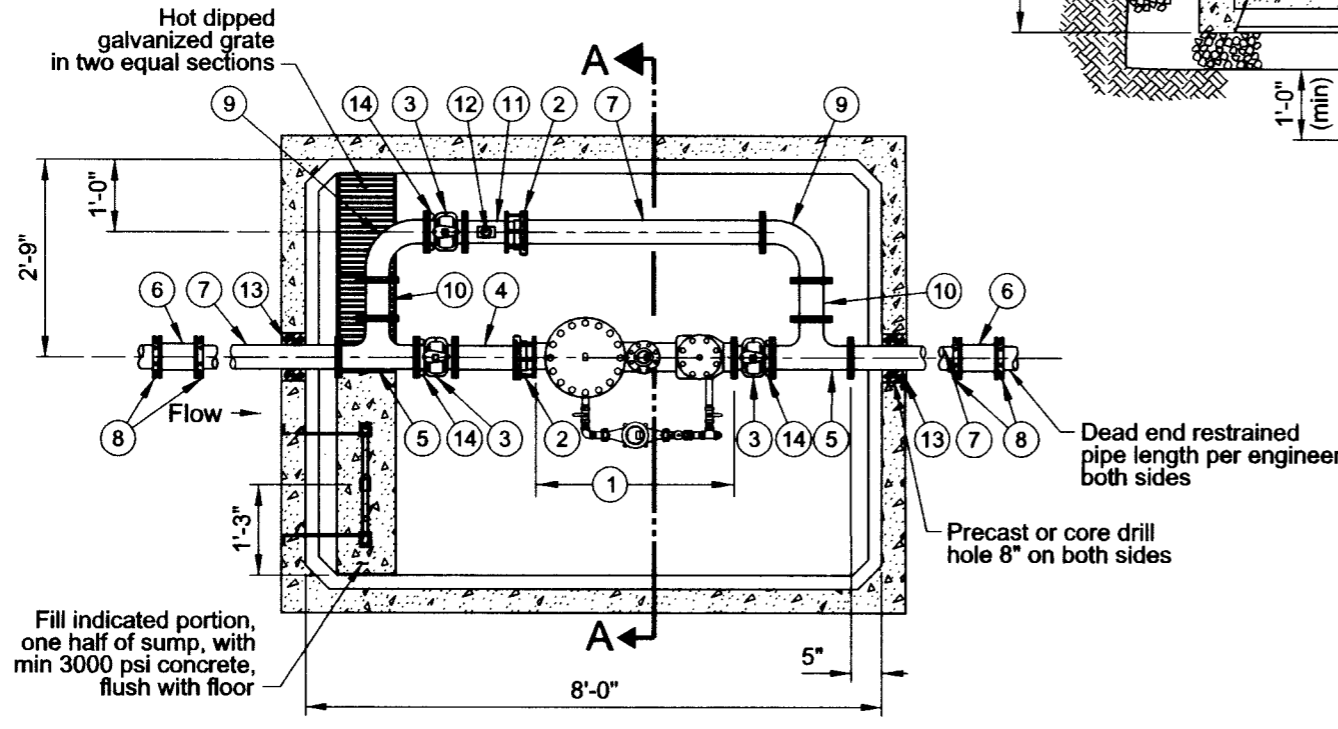
Plot Date: 7/31/2015 12:43:57 PM
 Filename: J:\Engineering\CAD Standards\Working_Vaults\874_4linm_4linm_687_swk.dgn



Vault Top Plan
 $\frac{3}{8}'' = 1'-0''$



Section A-A
 $\frac{3}{8}'' = 1'-0''$





Vault Floor Plan
 $\frac{3}{8}'' = 1'-0''$

List of Parts			
Item No	Size	Qty	Description
1	4"	1	Meter, combination with test outlet
2	4"	2	Restrained dismantling assembly (MegaFlange)
3	4"	3	Gate valve, FLG x FLG OL
4	4"	1	Nipple, FLG x PE DI, 8"~9" (field fit)
5	4"x4"x4"	2	Tee, DI FLG x FLG
6	4"	2	Solid sleeve DI MJ
7	4"	3	Nipple DI, FLG x PE 48" long, (field fit)
8	4"	4	Gland, wedge action retainer (Megalug)
9	4"	2	Bend, DI FLG long radius 90 degrees
10	4"	2	Spool, DI FLG x FLG 6" long
11	4"x4"x2"	1	Drip tee, FLG x FLG x FIPT
12	2"	1	Gate valve, brass with plug
13	4"	2	Seal, Mechanical penetration (Linkseal LS-410-C-7)
14	4"	3	Adjustable pipe support, hot dipped galv
15	2"	3	Pipe, galv steel (field fit)
16	4"	1	Drain check valve
17		1	Ladder, galv steel with aluminum extension (field fit) (Oldcastle Precast)
18	3'-0"x3'-0"	1	Hatch, aluminum single leaf H-20 rated with hold open arm

Notes:

See General Vault Drawing (P-855) for construction and material notes.

The selection and use of this Standard Drawing, while designed in accordance with generally accepted engineering principles and practices, is the sole responsibility of the user.	 PORTLAND WATER BUREAU CITY OF PORTLAND, OREGON  Chief Engineer	
	Standard Drawing Title 4" Combination Meter with 4" Bypass in 6-8-7 Vault (In Sidewalk)	
Note: All material and workmanship shall be in accordance with City of Portland Standard Construction Specifications.	Effective Date Aug 17 2015	Standard Drawing No. P-874
	Calc. Book No. PWB 1	
	Baseline Report Date Aug 17 2015	